

Saflok Product Catalog

Order Guide
November 2017



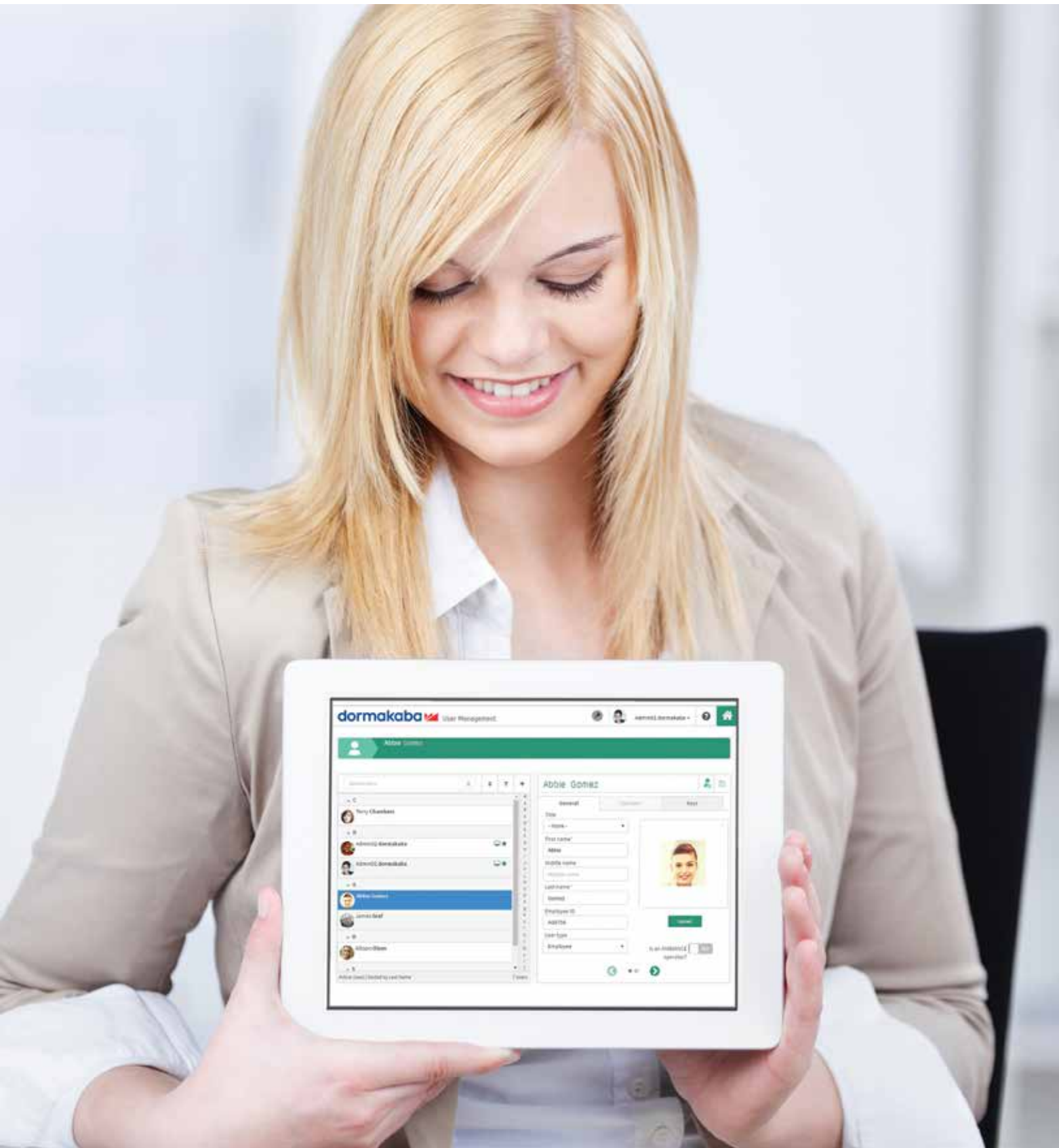
Table of Contents

06	HOW TO USE THE CATALOG	47	Electronic Door Locks (continued)
07	Access Control Systems	48	SAFLOK RT RFID
	AMBIANCE ACCESS MANAGEMENT SOFTWARE		Overview
07	Overview	51	Ordering
09	Ordering		SAFLOK MT SERIES
	SAFLOK SYSTEM 6000	55	Overview
10	Overview	58	Ordering
12	Ordering		SAFLOK ÄDÖSE
	SAFLOK MESSENGER LENS OVERVIEW	64	Overview
13	Overview	66	Ordering
16	Ordering System 6000 & Messenger Components	69	SAFLOK QUANTUM SERIES
	SAFLOK ENCODERS	72	Overview
17	Overview		Ordering
21	Ordering	85	SAFLOK QUANTUM IV
		86	Overview
22	Electronic Door Locks		Ordering
	CONFIDANT RFID KIT 1 (NOT AVAILABLE IN NORTH AMERICA)	88	SAFLOK QUANTUM PIXEL
26	Overview	90	Overview
31	Ordering		Ordering
32	Spare parts	93	Perimeter Access
	CONFIDANT RFID KIT 2 (NOT AVAILABLE IN NORTH AMERICA)		SAFLOK RFID
34	Ordering	93	Overview
35	Spare parts		SAFLOK SR3 FOR QUESTROOMS
	CONFIDANT RFID KIT 3 (NOT AVAILABLE IN NORTH AMERICA)	94	Overview
37	Ordering	96	Ordering
38	Spare parts		SAFLOK REMOTE CONTROL UNIT (RCU)
	CONFIDANT RFID (ANSI MORTISE LOCK CASE)	98	Overview
40	Overview	99	Accessories
43	Ordering	101	Suggested Applications
45	Spare parts		SAFLOK ELEVATOR CONTROL UNIT (ECU)
		103	Overview
		104	Ordering

122	Perimeter Access (continued)
	EXIT DEVICE HARDWARE OVERVIEW
122	Overview
123	Ordering
	E-PLEX 2000 SERIES
130	Overview
132	Ordering
134	Lock Accessories
	CORES, CYLINDERS FOR SAFLOK RT SERIES
134	Ordering
	KEYS FOR SAFLOK RT SERIES
135	Ordering
	DECORATIVE PLATES FOR SAFLOK RT SERIES
136	Ordering
	MISCELLANEOUS PLATES
138	Ordering
	STRIKES FOR SAFLOK RT SERIES
140	Ordering
	MISCELLANEOUS PARTS FOR SAFLOK RT SERIES
142	Ordering
145	Complimentary Products
	ELECTRONIC IN-ROOM SAFE
145	Overview
146	Ordering
	KEYCARDS & PRINTING
148	Overview
149	Ordering




Access Control Systems



How to use the Catalog

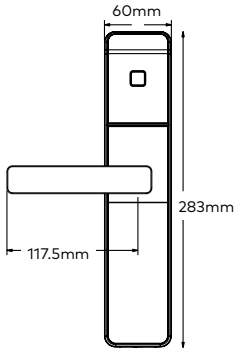
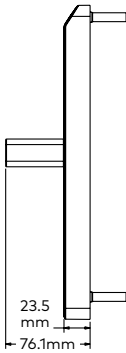
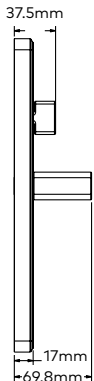
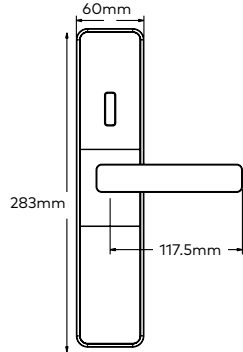
In some situations the part number has to be assembled to specify the product and the desired options. This is done by creating a number for your required options, as shown in the example below:



Saflok Product Catalog / Order Guide

Confidant RFID Kit 2 (European Mortise Lock Case)

Ordering

Front
Front Side
Back side
Inside

Standard Model Number

C	S	00	0	K	S	-	7	4	C	R	-	N	P	S
Lock Model			Bluetooth	Outside housing Options		Installation Options			Inside housing Options					

Build the model number with the required options

C	S	00	●	●	-	●	●	●	-	●	●	●
Lock Model			Bluetooth	Outside housing Options	Installation Options			Inside housing Options				

Lock Model			Bluetooth	Outside housing Options		Installation Options			Inside housing Options			
Confidant RFID (Fixed value)	System (Fixed value)	Operating System	Bluetooth	Cylinder Support	Outside Lever	Spindle Kit	Mounting Screw	Finish	Mounting Plate	Cylinder Support	Privacy	Inside Lever
C	S	00	0	K	S	7	4	C	***R	*C	N	S
	Saflok	Stand alone	BLE Compatible	Cylinder Support	Short Return	7mm	M4	Satin Chrome Interior	Rose Mount	Euro profile or Swiss cylinder	No Thumbturn, no Privacy	Short
		Messenger Ready	1 BLE Ready	E No Cylinder	L Long Return (approved for EN 179)	8mm	5 MS	B Satin Brass Interior	**B Backplate mount	N No cylinder	P Privacy Thumbturn	L Long Return
		M1 Messenger US	2 BLE Enabled		D DIN Lever (approved for EN179)	9mm (Required for DIN certified locks)		E Satin Chrome Exterior				D DIN Lever (approved for EN179) Requires 9mm spindle
		M2 Messenger EU/Asia	D BLE Compatible Demo		B Austria 8.5mm			H Satin Brass Exterior				N No Lever
		M3 Messenger Int'l	E BLE Enabled Demo					U Satin Chrome Ocean-front				
		MW Incomm										
		NO Escape Return Standalone			N No Lever							

Most common model ordered

Part number with your options

Select your options from these sections

Ambiance™

Access Management Software

System Overview

Ambiance is the next generation access management software solution. Developed to be operating system and hardware flexible, Ambiance offers the ability to be deployed on a mobile device or traditional workstation without usability loss due to its HTML5 architecture. Backed by a library of web services and Application Program Interfaces (API), the software has been designed to easily interface with third party tools such as your Property Management System (PMS).

Application

Customers can change in minutes and manage Ambiance locally: property configuration, user and staff management, access management and scheduling are now easier to control than ever before. They can configure and change their access controls to meet their property needs.

Whether customers are managing one desk or one thousand, Ambiance provides **Performance, Scalability, Efficiency.**

Out-of-the box solution

dormakaba offers flexible deployment options to meet the property's particular needs and IT resources.

Customers will enjoy our out-of-the box, installation package, as we will take care of their needs while they take care of their guests.

Features

- Bluetooth enabled
- Multi-site property management
- Access scheduling
- Staff scheduling
- Elevator, meeting rooms, common areas & amenities access management
- Configurable roles & user profiles
- Active directory user controls
- Real-time monitoring
- Advanced reporting



Ambiance™

Access Management Software

System Features

System Benefits

- An expandable solution to meet customer needs: Ambiance will help increase ROI
- From flexible out-of-the-box hosted solutions to personalized on-site solutions
- Robust library of web services to integrate to third party software for real-time connectivity
- Layered architecture to ensure scalability without performance issues
- Minimizing configuration and set up to minutes instead of hours
- Flexible hardware and operating system solutions to meet decor and budget
- Supports fast training and ease of use
- Compatible with most dormakaba Lodging locking systems, including BLE (Bluetooth Low Energy) electronic locks

Property Management

Easily manage property configurations to reflect customer brand and apply their default settings to your guests' stay. Customer can define elevator controls, peripheral access points, guest check in/out, default key expiry (guest & staff), amenities, pre-registration defaults and failsafe keys in case of power outage.

Guest Registration

Customers can integrate Ambiance to their property management software or use its guest registration module to manage guest keys. Properties can quickly manage guest access services from pre-registration, to check-in to check-out, and manage amenity access, provide additional keys and modify access with only a click or two.

Staff Access Management

Customer are in full control of their staff access. User role management and creation ensures that only authorized users have access to their defined features when using the Ambiance solution. Manage staff member property access using staff profiles, scheduling and automated common area access management. Key status is also easily managed through Ambiance with a selection of system keys that disable specific key instances, perform access point diagnostics, disable all non-emergency keys, cancel current guest access and enable/disable passage mode.

Audit & Reporting

Ambiance features full key and lock auditing and reporting. Simple key readback is available within the software solution and full lock auditing is available using dormakaba's maintenance unit (included). Know who, when and where access any given point with a few simple clicks.

Ambiance™

Access Management Software

Ordering

Lock System Kits

Standard Model (Example)

S K A	1	—	Q R	I P R F	H 6	0	0 0 0
System	Version		Locking Device	Encoder	Handheld	Power Adapter	Custom

Build the model number with the desired options

S K A	1	—		I P R F	H 6		0 0 0
System	Version		Locking Device	Encoder	Handheld	Power Adapter	Custom

Style	Version	Lock	Encoder	Handheld	Power Adapter	Custom
SKA System Kit Ambiance	1	QR Quantum RFID RT RT RFID CR Confidant RFID	IPRF dormakaba RFID Encoder	H6 HH6	0 North America 1 International*	000 Standard

Saflok System 6000™

System Overview

Saflok System 6000 is a windows based access management software capable of interfacing with your existing property management system (PMS), and is customizable to suit your property's specific needs.

System 6000 provides the security of an access audit system, the ultimate in key management flexibility and superior control throughout your property. It is compatible with all Saflok lock models such as Quantum Series, MT series, RT, ädäse and Confidant RFID.

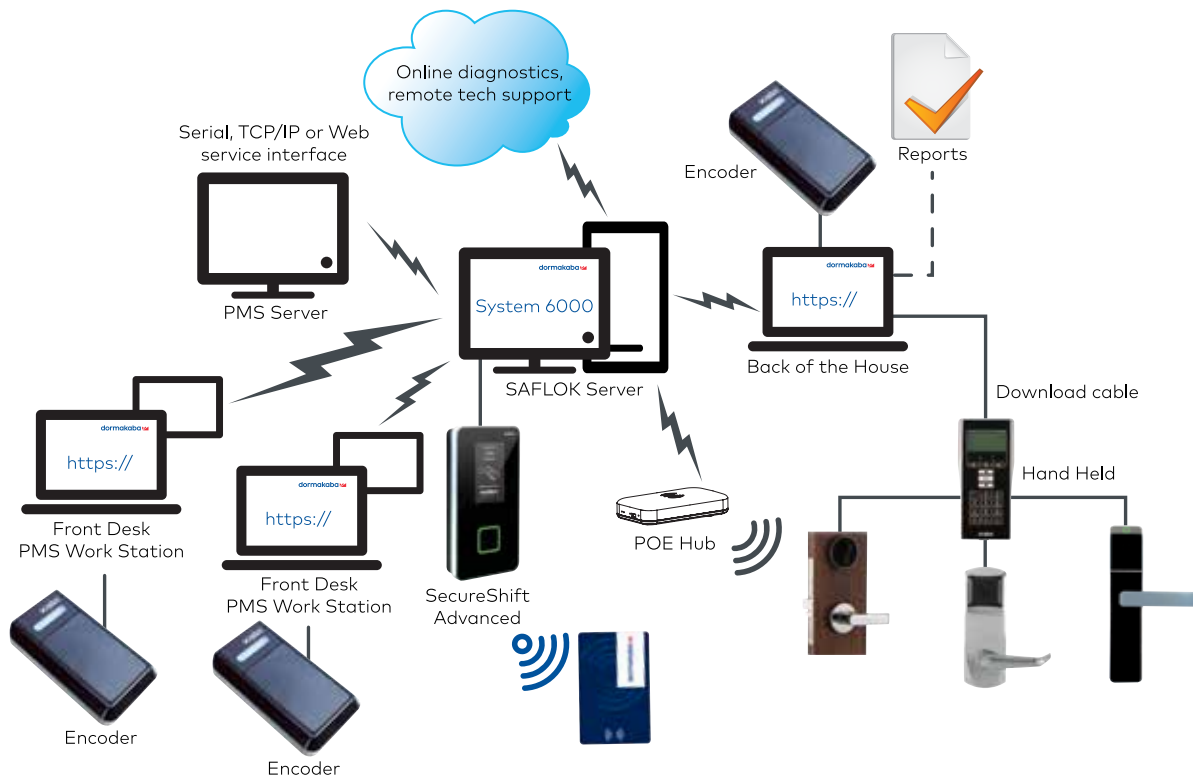
Application

Access management scheduling for both guests and staff

- Supports elevator, common area and perimeter access management

Features

- Supports mobile access through Saflok RFID BLE (Bluetooth Low Energy) locks
- Multiple user profiles to ensure secure access.
- Quick key read back and replacement features for lost and found cards
- Couple with dormakaba's Messenger LENS for an online/real-time room management solution
- Integrates to a variety of third party solutions including PMS, POS, energy management and selfcheck- in kiosks
- Extensive reporting library including key creation, user/group authorizations, and much more.
- Securely programs and encodes keycards and accessories



Saflok System 6000™

System Features

System Benefits

- Access key identification, verification and interrogation
- Interrogates smart, memory and Mifare Classic (4 byte NUID) 1K/4K keycards and other media
- Produces reports of up to 1,000 of the most recent uses with detailed information (user and authorization, transaction history, lock and key interrogation)
- Allows access programming to open multiple rooms with one keycard or mobile device
- Allows fully-customized access to specific areas or floors for both guest and staff
- Lock Passage mode programming available for perimeter access
- Restricts access to guest keycard/ mobile device after check-out date
- Seamlessly integrates with dormakaba mobile access solution, allowing guests to receive their room key on their mobile device prior their arrival and bypass the front-desk check-in process

System 6000 Plus

This upgradable feature to System 6000 allows properties to implement simple design changes quickly and easily:

- Add a new lock
- Remote key encoding: enables keycard encoding from a remote location, facilitating check-in and allowing guests to receive their room keys prior to arrival
- Creates access keys for large groups of guests (convention, wedding, etc.) weeks ahead of time for specific dates of stay

Saflok System 6000™

Ordering

Lock System Kits

Standard Model (Example)							
S K 6	2	-	C A	T 7 M G	H 6	0 0 0	
System	Version		Locking Device	Encoder	Handheld	Power Adapter	Custom
Build the model number with the desired options							
S K 6	2	-	C A		H 6	0 0 0	
System	Version		Locking Device	Encoder	Handheld	Power Adapter	Custom
Style	Version	Lock	Encoder	Handheld	Power Adapter	Custom	
SK6 System Kit 6000	2	CA Card locks QR Quantum RFID RT RT RFID CR Confidant RFID	MAG CARD ONLY: T7MG Type 7 Mag/SMT T7MT Type 7 Mag T7MH Type 7 Hico/Mag INSW Insertion Wide RFID ONLY: T7RG Type 7 Mag/SMT/RFID T7RF Type 7 Mag/RFID T7RH Type 7 Hico/Mag/SMT/RFID NETR Network RFID IPRF** dormakaba RFID Encoder	H6 HH6	0 North America 1 International*	000 Standard	

* International power adapter includes global power plug kit and 110/220V compatible power supply

** Aux terminal not available with dormakaba RFID encoder. Only Network RFID encoder and Type 7 series function with Aux Terminal

System 6000 Software Packages

Part #	Description
SK61-CAINSWH60000	System 6000, Insertion Encoder
SK61-CAINSWH61000	System 6000, Insertion Encoder (International)
SK61-CAT7MTH60000	System 6000, Type 7 Encoder
SK61-CAT7MTH61000	System 6000, Type 7 Encoder (International)
SK61-CAT7MGH60000	System 6000, Type 7 Mag / Smart Card Encoder
SK61-CAT7MGH61000	System 6000, Type 7 Mag / Smart Card Encoder (International)
SK61-QRT7RGH60000	System 6000, Type 7 Mag / Smart / RFID Encoder
SK61-QRT7RGH61000	System 6000, Type 7 Mag / Smart / RFID Encoder (International)
SK61-CAT7MHH60000	System 6000, Type 7 Mag / Smart / HiCo Encoder
SK61-CAT7MHH61000	System 6000, Type 7 Mag / Smart / HiCo Encoder (International)
SK61-QRNETRH60000	System 6000, Network RFID Encoder
SK61-QRNETRH61000	System 6000, Network RFID Encoder (International)
SK61-RTNETRH60000	System 6000, Network RFID Encoder for RT
SK61-RTNETRH61000	System 6000, Network RFID Encoder for RT (International)
SK61-QRT7RFH60000	System 6000 Type 7 Mag / RFID Encoder
SK61-QRT7RFH61000	System 6000 Type 7 Mag / RFID Encoder (International)
SK61-QRT7RHH60000	System 6000 Type 7 Mag / Smart / HiCo / RFID Encoder
SK61-QRT7RHH61000	System 6000 Type 7 Mag / Smart / HiCo / RFID Encoder (International)

Saflok Messenger LENS™

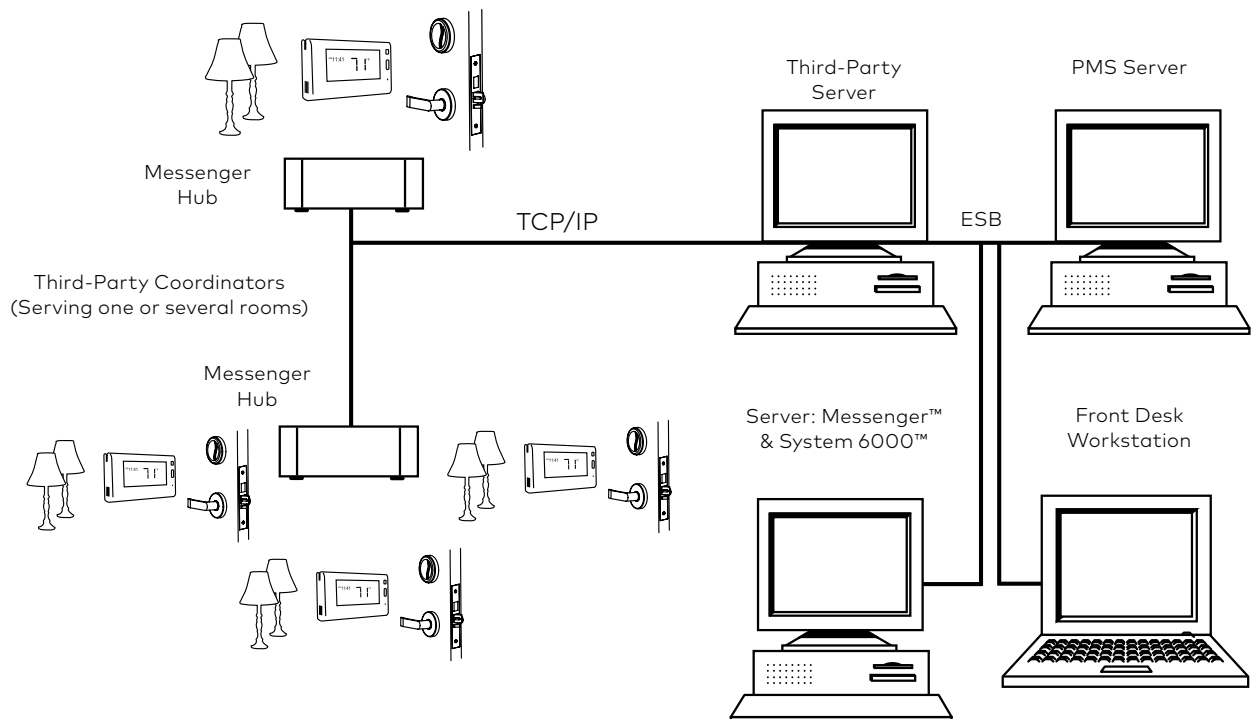
Wireless Online System

System Overview

The Saflok Messenger LENS is a wireless online system, ideal for hotels seeking the ultimate in security and guest experience while maximizing operational efficiency. The wireless online system offers a two-way communication between the front desk and the hotel's electronic locks. Messenger LENS serves to monitor and manage room door activity. Guests can easily request room moves without having to return to the front desk. Hotels can monitor door activity through notifications sent directly to email and text messaging. Messenger LENS also integrates to third party applications for even greater room management control and flexibility.

System Features

- Radio Frequency (RF) communications at 2.4 GHz, which is globally license-free
- Secure networking (128 AES encryption)
- Self-forming networks
- Zigbee Prostack standard (large scale, network stability, resilient)
 - Ideal for large scale properties (thousands of nodes)
 - Asymmetric link handling
 - Network stability even when nodes are within close proximity
 - Extended battery life with deep and special parent functions
 - Resilient – ensured by frequency agility
- Messenger LENS subscriber disseminates information to authorize recipients in real time



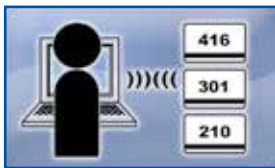
Messenger LENS is an available option for Saflok electronic hotel locks.

Saflok Messenger LENS™ Wireless Online System

How does it work?

The Messenger LENS system meets key market needs helping as the ideal link for sending and receiving real-time messages. With a broad range of functionality, Messenger enhances guest convenience, reduces expenses, and conserves staff time.

1. Send Lock Commands directly from the front desk



Remote Keycard Audits

Remotely interrogate specific locks for keycard usage.



Keycard Replacement

Send a "Cancel Key" message to each lock that was presented with a previous keycard.



Room move

Send a message to the new room door lock to accept the customer's current keycard.



Extend a Guest's Stay

Send a message to the guest room lock to update the access expiration date.

2. Receive Lock Alerts & Notifications



Door Ajar

Be notified when a door has been left ajar and when it returns to its secure position.



Wandering or Standing Intruder

Receive alerts when a keycard fails on multiple doors or when multiple cards fail on one door.



Low Battery

Receive low battery reports for preventative maintenance.



Room Ready

Send a "Room Clean" message in real time for better room management.

3. Share Lock Information with 3rd Party Systems



Smart Room Automation

Door lock sends a command to the smart hub to adjust in-room amenities such as TV, lights or drapes to a customized configuration depending upon preset guest preferences.



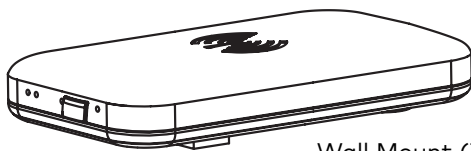
Workflow Management

Door lock communicates with a workflow system that sets up a task for a staff member to complete and close. For example, bringing a bottle of wine when a VIP guest first enters the room.

Saflok Messenger LENS Hub

Specifications

Standards / Protocols	2.4 GHz DSS, IEEE 802.15.4, Zigbee compliant platform, DHCP, DNS Discovery
I/O Port	1 x 10 Mbit PoE capable Ethernet
Cabling Type	Ethernet – RJ45 Cat 5 or better
RF Data Rate	3 Mbps
RF Sensitivity	Better than -97dBm
Transmit Power	10 mW for 71562 (Europe/Asia) 158 mW for 71563 (North America) 87 mW for 71564 (International)
Dimensions	6" x 3 1/2" x 1" (Wall Mount) 6" x 3 1/2" x 7/8" (Table Top)
Unit Weight	200 grams
Power Input	802.3af PoE, 2 watts
Alternate Power Input	External 5VDC 300mA (-ZBW & ZBWE models only)
Certifications	Part 15.247 Modular License – FCC ID:SAPMESSENGER2GHZ Europe and Canada CE Approval – IC: 7078A-A28780 China Radio Approval – CMIIT ID: 2009DJ0666 (71562 only)
Operating Temperature	0 to 55 degrees Celsius
Indoor Range	External 5VDC 300mA (-ZBW & ZBWE models only) 30 meters (74562)
Package Options	74564-ZAW, 74563-ZAW, 74562-ZAW, J-box wall mount (POE only) 74564-ZBW, 74563-ZBW, 74562-ZBW, Table Top 74564-ZAWE, 74563-ZAWE, 74562-ZAWE, J-box wall mount (Environmental) 74564-ZBWE, 74563-ZBWE, 74562-ZBWE, Table Top (Environmental)



Wall Mount (ZAW)

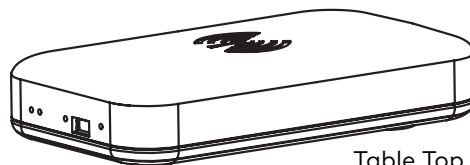


Table Top (ZBW)

* Port locations shown for desktop package (ZBW)

Saflok System 6000 & Messenger LENS Components

Ordering

Computer Equipment and Messenger Equipment

Part #	Description
CE74390	Secure Shift Advanced, POE kit
CE74400	Secure Shift Advanced, W/Power Supply
71940	Power Supply, Secure Shift Advanced (Requires outlet cable)
7081602-P	System 6000 Disc
DOC-CD-6000	Training CD, System 6000
CH899099	System 6000 Handheld Kit (Unit, Base Charger, Power Supply, Cable and Battery)
CH899199	System 6000 Handheld Kit International (Unit, Base, Charger, Power Supply, Cable & Battery)
011-512884	Cable, HH6, USB, PC Interface
126-513412	Power Supply, HH6, North America
126-513481-KIT	Power Supply, HH6, International
7081602-PLUS	System 6000 PLUS Program Disc (and on-site support)
SERVER License	MS 2008 Server License (one required per Messenger system with 1-4 stations)
7081620-MSNGR	Messenger Software (per property)
SERVERCAL	1 required per system (1-4 stations)
7081620-MD	Multi-Database
CD6 ¹	Desktop Server (non-Messenger/IR system)
CE71331-R ¹	Server, Messenger, Rack Mount (Needed with Messenger and IR installations) No keyboard, mouse, or monitor
73763-2	Power Supply, Type 7 Encoder (Requires outlet cable)
737611	Power Outlet Cable
73270	Power Supply, Network RFID Encoder, Insertion Encoder, Messenger Hub
CE71331-TS ¹	Server, Messenger, Tower (Needed with Messenger and IR installations) Includes keyboard and mouse, but no monitor
CE74562-ZAW ²	Messenger Hub, Europe / Asia, Wall Mounted, PoE
CE74562-ZBW ²	Messenger Hub, Europe / Asia, Table Top, PoE
CE74562-ZAWE ²	Messenger Hub, Europe / Asia, Wall Mounted, PoE, Weatherized
CE74562-ZBWE ²	Messenger Hub, Europe / Asia, Table Top, PoE, Weatherized
CE74563-ZAW ²	Messenger Hub, North America, Wall Mounted, PoE
CE74563-ZBW ²	Messenger Hub, North America, Table Top, PoE
CE74563-ZAWE ²	Messenger Hub, North America, Wall Mounted, PoE, Weatherized
CE74563-ZBWE ²	Messenger Hub, North America, Table Top, PoE, Weatherized
CE74564-ZAW ²	Messenger Hub, International, Wall Mounted, PoE
CE74564-ZBW ²	Messenger Hub, International, Table Top, PoE
CE74564-ZAWE ²	Messenger Hub, International, Wall Mounted, PoE, Weatherized
CE74564-ZBWE ²	Messenger Hub, International, Table Top, PoE, Weatherized
71690	RFID Probe, HH6
74370	Mag Probe, HH6
75800	ELPS, HH6
A21100	Battery Backup, RFID
063-512592	RT RFID Probe, HH6
71982	Confidant RFID Probe, HH6
71790-1	SR Probe, Keyscan Reader, HH6
71800-1	Keyscan Reader, SR, HH6

¹ Servers can be sourced elsewhere, provided they meet Saflok system specifications/requirements

² All hubs in white only

PMS is included with System 6000 install

Saflok Encoders

Overview

Saflok encoders are a vital component of all access control systems, transmitting information and commands to/from a credential. Each system is configured to suit the unique requirements of a property.

Insertion Encoder

- The fastest encoder in the Saflok product line
- Durable and tested to one million cycles
- Virtually maintenance-free with maintenance only required for read head
- Uses card sensing-device that detects card direction without contact or wear on keycard surface
- Spring-loaded encoding/playback head adapts to variations in keycard thickness
- Reads upon insertion and checks code upon withdrawal; card slot illuminates green if validated and red if rejected
- Input/output for USB, serial, or TCP/IP connectivity
- Encodes data to track 3
- Granted both utility and design patent



Insertion Encoder

Dimensions	4.9"H x 3.9"D x 4"W
Power	6 V DC, .3 A
Keycards Encoded	Smart, memory, and magstripe
Connectivity	USB, serial, or TCP/IP
Keycard coercivity	Low-coercivity keys (3000E) Medium-coercivity keys (6000E)

Network RFID Encoder

- Connects directly to PC via USB or to Ethernet network via TCP/IP
- Connects to DeskLinc™ via serial port
- Supports Mifare Classic (4 byte NUID) Mifare Plus and Mifare Ultralight C credentials
- Operates in accordance with ISO 14443A
- Encodes a variety of RFID credentials, such as keycards, fobs, wristbands, etc.
- Used in conjunction with Saflok RFID locks



Dimensions	1.5"H x 6"D x 3.3"W
Keycards Encoded	Mifare Classic (4 byte NUID) Mini, 1K, 4K. Mifare RFID Plus 2K, 4K, and Ultralight C
Connectivity	To PC via USB or serial port; to Ethernet network via TCP/IP port

Saflok Encoders

Overview

dormakaba's RFID encoder is a vital component that operates with the Saflok access management platforms to authorize access throughout the property. It encodes RFID keycards and other media with data & commands for both guest and staff level access. A choice of USB or network connectivity enhances both front desk efficiency and employee convenience.



dormakaba
RFID encoder

Applications

- Suitable for all hotel sizes
- Encodes a variety of RFID accessories including keycards, fobs and wristbands
- Encodes access to guest rooms, common areas and back-of-house

Features

- Securely encodes keycards and accessories
- Power source: USB interface (5V) or Power over Ethernet (PoE)
- TCP/IP interface to connect directly to an Ethernet Network (no software to install on the client workstation)
- Support RFID keycards or tags (ISO 14443-A)
- Supports Mifare Classic (Mini, 1K, 4K), Mifare Plus (1K,2K,4K) and Ultralight C credentials

Access Management Platforms

The RFID encoder works with both dormakaba's stand-alone devices and robust access management software solutions that features an array of access control workflows for both guest and staff access.

RFID electronic locks

- Saflok Quantum RFID Series
- Saflok RT
- Saflok MT RFID
- Confidant RFID

Physical Characteristics

USB 2.0 Full Speed Device Interface (micro type B)

10/100 Mbit Ethernet Interface (RJ-45)

Dimensions: 3.15W x 0.97H x 5.37L inches (80W x 25H x 137L mm)

Weight: 0.275 lbs (0.124kg)

Operation LED

Audio Indicator

Power Source

USB Interface (5V) or Power over Ethernet (PoE)

Environmental Operating Conditions

Temperature: 0°C to 50°C (32°F to 122°F) Relative humidity: 0% to 95% non-condensing

Certifications, Approvals and Testing

RoHS Compliant Complies with FCC part 15C class A and RSS 210

Complies with CE Harmonized EN under article 3.2 of the R&TTE Directive

Warranty

2 years

Support Program: dormakaba Service Plans available

Saflok Encoders

Overview

Saflok Type 7 Encoder

- Three-track motorized magstripe encoder
- Connects directly to PC via USB or serial port or to Ethernet network via TCP/IP port
- Door lock information encoded on track 3 using custom format (non-ASCII and ABA format) to prevent magstripe and data skimming
- Ability to encode third-party and point-of-sale device information on tracks 1 and 2 when connected to PMS/POS applications
- Spring-loaded encoding/playback head adapts to variations in keycard thickness
- Ejects keycards with errors or keycards not properly encoded from the back of the unit

Dimensions	3.62" H x 7.1" D x 4.05" W
Keycards Encoded	Mifare Classic (4 byte NUID) Mini, 1K, and 4K. Mifare Plus S 2K, 4K and Ultralight C
Connectivity	To PC via USB or serial port; to Ethernet network via TCP/IP port



Type 7 Encoder

Saflok Type 7 RFID Encoder

- Contactless RFID encoder that supports Mifare Classic (4 byte NUID) Mifare Plus and Mifare Ultralight C credentials
- Encodes a variety of RFID credentials, such as keycards, fobs, wristbands, etc.
- Used in conjunction with Saflok RFID locks



Type 7 RFID Encoder

Encoder Credentials (Type 7 RFID)	Magstripe			SMART/Memory			MIFARE/RFID		
	3000E Low Coercivity	6000E Medium Coercivity	27500E (up to 40000E) High Coercivity	2KB	8KB	64KB	Mini	1KB	4KB
Magstripe encoder	•	•							
Magstripe/Smart card encoder	•	•		•	•	•			
HiCo magstripe/Smart card encoder			•	•	•	•			
Magstripe/RFID encoder	•	•					•	•	•
Magstripe/Smart card/RFID encoder	•	•		•	•	•	•	•	•
HiCo magstripe/Smart card/RFID encoder			•	•	•	•	•	•	•

RFID Credential Options

- Mifare Mini: A cost-effective solution for guest keys.
Available with generic printing, hotel chain logos, or custom printing
- Mifare Classic 1K: Ideal for staff use. Available as a fob (for extended-stay guests or staff) or wristbands (for resorts and waterparks)
- Mifare Classic 4K: Ideal for lock interrogation
- Mifare Plus 2K: Ideal for staff use. Available as a fob (for extended-stay guest or staff) or wristbands (for resorts)
- Mifare Plus 4K: Ideal for lock interrogation
- Mifare Ultralight C: Ideal for guest use

Saflok Handheld 6 (HH6)

Overview

HH6™ is a portable programming device used for lock programming, interrogations, lock diagnostics and can be used as an auxiliary key encoding terminal. The HH6 is equipped with new enhanced features keeping staff efficiency in mind, while incorporating a new sophisticated look and feel.

System Features

- USB connectivity; increased capacity and speed
- Storage capacity: 500+rooms
- Unit can be pre-programmed for the day
- Load a 300+ room property in seconds
- Interrogate 1000 lock events under 2 minutes
- Enhanced configurable security
- Advanced diagnostics
- Auxiliary Terminal functionality for encoding
- Advanced lock search function
- Interrogation reports can be viewed on the display
- Integrated with System 6000 V4
- Power off and backlight timer settings

HH6 Dimensions

Height	Depth	Width
1"	7"	3"



Saflok Encoders & Handheld

Ordering

Encoders

Part #	Description
CE6100	Insertion Encoder Magstripe/Smart Card Encoder
CERPF6000	Network RFID Encoder Encoder Station, Network RFID Encoder
CEP4110	Type 7 RFID Encoder Encoder Station, Type 7 (Mag / RFID)
CEP4120	Encoder Station, Type 7 (Mag / Smart / RFID)
CEP4130	Encoder Station, Type 7 (Mag / Smart / HiCo / RFID)
CE4010	Type 7 Encoder Encoder Station, Type 7 (Mag)
CE4020	Encoder Station, Type 7 (Mag / Smart)
CE4030	Encoder Station, Type 7 (Mag / Smart / HiCo)
CEIPRF6000	dormakaba RFID Encoder Encoder Station, dormakaba RFID Encoder

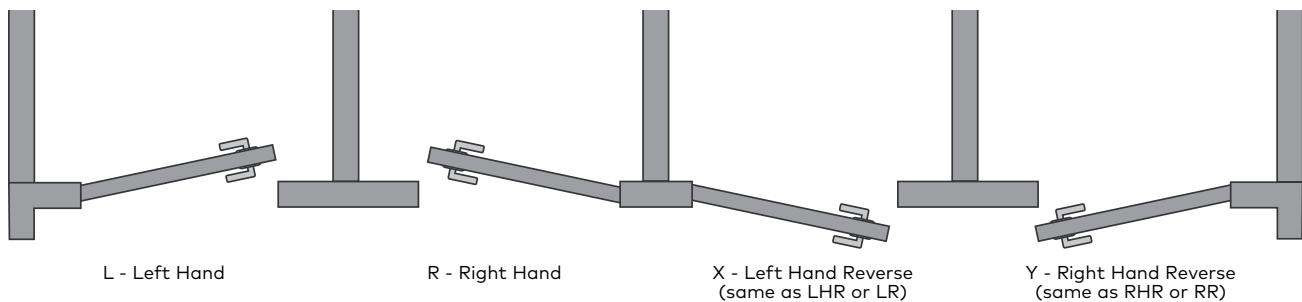


Electronic Door Locks



Door Handing

All locks require specification of door handing. To determine the hand, face the door from the outside and select the corresponding diagram below.



Lock Function

Standard

These locks remain permanently in locked mode, and for higher security a 1" deadbolt comes standard. This is suitable for applications where the person in the locked area needs added protection, such as a hotel room or private office. ANSI equivalent functions: Hotel Guest Lock (F15).

Auto Deadbolt

Same functionality as standard but the deadbolt is automatically projected every time the door is closed. Guest privacy is activated with the thumbturn knob.

Utility

These locks remain permanently in locked mode and lock each time the door is closed. There is no deadbolt. They are suitable for storage area doors or utility closets where constant security is required. Exiting from inside the room (Egress) is possible by turning the handle. ANSI equivalent functions: Storeroom or Closet (F07), Entry Lock (F04), Front Door Lock (F08), Apartment Corridor Door lock (F10), Room Door Lock (F21).

Exit Device Operator

These locks operate with an exit device to permit controlled access from the outside. The lock mode (passage or locked) can be changed manually (contactless or insert card). ANSI equivalent functions: Holdback Door (F06).

Remote Controller Unit (RCU), Elevator Controller Unit (ECU)

A card reader used for controlling access in elevators, garages or main doors. The controller interfaces with an elevator controller, gate controller, electro-magnetic lock, electric strike, exit button or panic bar. The controller mode (passage or locked) can be changed manually (swipe or insert card).

Dummy Trim

The Dummy Trim lock is for an aesthetic use only. The lock has no mechanical or electronic components. This lock is usually used on a double door entrance where the second door is bolted down.

Shabbat Lock

These locks are similar to the hotel lock with the exception that on the Shabbat, a different key for each room can be given to the guest so the access to the room is done totally in a mechanical way. There is no lever or mechanical override switch used in this lock.

Installation Type

Installation Types	Axapta / QMS Part Number	No Frame No prepping required on existing frame	Wood Frame Prepping required on existing wood frame	Metal Frame Prepping required on existing HOLLOW metal frame	Metal Frame [Grout] Prepping required on existing FILLED metal frame
Factory Prep.* No work required to prep or adjust door prep	INST-FP	-NF	-WF	-MF	-MG
Wood Door; Retrofit (Mortise) * Door prep required but mortise pocket exists ahead	INST-WR	-NF	-WF	-MF	-MG
Wood Door; Blank or Retrofit (Cylindrical)* Full door prep required	INST-WB	-NF	-WF	-MF	-MG
Metal Door; Retrofit (Mortise) * Door prep required but mortise pocket exists ahead	INST-MR	-NF	-WF	-MF	-MG
Metal Door; Blank or Retrofit (Cylindrical)* Full door prep required	INST-MB	-NF	-WF	-MF	-MG

Examples of INST-FP-NF

Door company used our templates to prep doors and frames - our installer will only install and program our locks. Contractor will purchase our installation jigs and ensure all doors are preped according to template.

Examples of INST-FP-MF

Door company prepped the doors according to our templates, left hollow metal frame unprepped.

Examples of INST-WR-NF

Client has existing Kaba, Onity or Saflok mortise lock.

Examples of INST-MB-MG

Client had new blank Metal door, or existing cylindrical locks, with work required to adjust grout filled metal frame.

Confidant RFID (European Mortise Lock Case)

Overview

The Confidant RFID asserts a softer, more engaging look to reflect true hospitality. Together with graceful lines and clean aesthetics, its RFID contactless technology enhances the guest experience while extending the service life of the lock. This ultra-modern lock conveniently functions with dormakaba access management software and stand-alone device.

Confidant RFID kit options

The Confidant RFID lock comes in a variety of kit options, making it a flexible solution to meet any property access needs:

- Kit 1: outside lock housing only
- Kit 2: outside / inside housings
- Kit 3: outside / inside housings and mortise lock case

Mobile Access

This Bluetooth Low Energy (BLE) capable lock can operate using the dormakaba Mobile Access Solutions.Application

Applications

- Perfect fit for new construction projects and replacement of existing mechanical or electronic hotel locks
- Suitable for small to very large scale hotels
- Access control solution for guest rooms, common areas and back-of-house

Low Maintenance

- Operates with a completely sealed contactless reader
- Batteries last up to 50,000 openings or up to 3 years
- Low battery indicator alerts staff
- Audit trail is retained during battery replacement and lock programming
- Wear-resistant construction and finish

Access Management Software

The Confidant RFID lock is supported by dormakaba's robust access management software solution that features an array of access control workflows for both guest and staff access. Optionally, choose dormakaba's online access management solution for better door management and monitoring.



Confidant RFID (European Mortise Lock Case)

Overview

Mobile Access Solutions

Convenient, reliable and secure for both the hotel property and guests, dormakaba Mobile Access Solutions is an end-to-end mobile credential application utilizing Bluetooth Low Energy (BLE), the preferred communication technology for dormakaba mobile-enabled RFID hotel locks. The mobile access solution integrates seamlessly with the hotel locking system providing a cloud-based platform to securely issue and manage keys on mobile devices.

All Confidant RFID kits operate using dormakaba's mobile access, allowing guests to bypass the front desk check-in process and proceed directly to their room. They can move freely about the property using their mobile device to access any common area in the hotel requiring a room key.



Confidant RFID (European Mortise Lock Case)

Lock Overview

Confidant RFID Kit 1

Outside lock housing only

A simple 'plug & play' solution that makes it easier to swap out any existing mechanical or electronic lock and replace it with RFID lock technology. Compatible with most standard lock cases, simply install the front lock housing to benefit from all the features of an RFID electronic lock system.

Security Features

- Vandalism and attack resistant
- Improved tamper resistance; tamper alarm is reset by emergency key or dormakaba handheld programming device
- Override options - Electronic override: performed by using the dormakaba handheld programming device
- Emergency access: emergency keycard and electronic override

Confidant RFID Kit 2

Outside / inside lock housings

An upgrade to include both the inside and outside lock housings while remaining compatible with existing or third party mortise lock cases. This kit also offers electronic privacy or cylinder turn-knob functionality. Ease of installation makes Confidant RFID Kit 2 a perfect fit for new construction or replacement of existing mechanical or electronic hotel locks to complement modern hotel décor.

Security Features

- Vandalism and attack resistant
- Improved tamper resistance; tamper alarm is reset by emergency key or dormakaba handheld programming device
- Override options
 - Electronic override: performed by using the dormakaba handheld programming device
 - Mechanical key override: with key cylinder option
- Emergency access: emergency keycard and electronic override

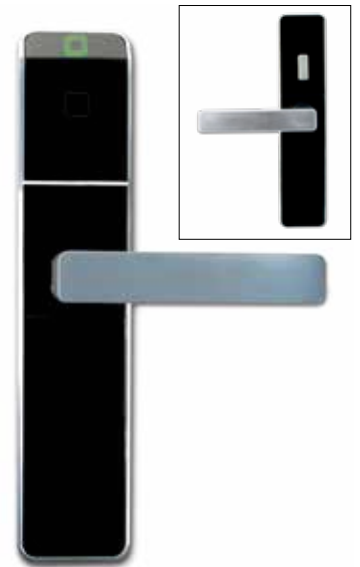
Confidant RFID Kit 3

Outside / inside lock housings + mortise lock case

The full package, with a complete door hardware installation for existing or new construction properties. The Kit 3 package includes outside/inside lock housings and a compatible mortise lock-case. This kit also offers electronic privacy or cylinder turn-knob functionality. Ease of installation makes Confidant RFID Kit 3 a perfect fit for new construction or replacing existing mechanical or electronic hotel locks to complement modern hotel décor.

Security Features

- Vandalism and attack resistant
- Improved tamper resistance; tamper alarm is reset by emergency key or dormakaba handheld programming device
- Override options
 - Electronic override: performed by using the dormakaba handheld programming device
 - Mechanical key override: with key cylinder option
- Emergency access: emergency keycard and electronic override




Inside & Outside Lock Housing

Confidant RFID (European Mortise Lock Case)

Overview

Mechanical Features

Outside Housing	Zinc cast alloy construction with steel mounting plate/Field reversible levers. Ergonomic RFID reader with target to guide user/LEDs for visual feedback. Panel that conceals key cylinder (if used), lock batteries (3 alkaline AA type) and programming interface. Spindle socket	
Inside Housing	Stainless steel trim with a steel mounting plate construction / Field reversible levers privacy turn knob (optional)	
Levers	Available in short or long return designs. Outside lever free to rotate upward and downward in locked mode. DIN compliant levers (optional)	
Standard Finishes	Satin chrome or satin brass	 Short Long DIN
Batteries	3 AA batteries for up to 50,000 openings or up to 3 years (based on 10 openings per day). Low battery indicator: alerts staff that batteries need to be changed soon	
Door Applications	35mm - 55mm. Minimum backset: 40mm or more. Wood or metal, hollow or solid. Rosette mounting option eliminates the need for drilling (retrofit scenario)	
Hardware Configurations	Kit 1 includes outside lock housing and installation hardware kit Kit 2 includes outside lock housing, inside lock housing and installation hardware kit Kit 3 includes outside lock housing, inside lock housing, BMH 801 lock case and installation hardware kit	
Locking Option	BMH 801 lock case, 65mm backset, 20 or 24mm faceplate (applicable only with Kit 3)	
Online Configurations	Messenger Ready	Outside escutcheon with Messenger connector Standard inside escutcheon
	Messenger Online	Outside escutcheon with Messenger connector Inside enclosure with Messenger module

Mobile Access Options

BLE ready	Upgradable to BLE with BLE module
BLE enabled	End cap with BLE module included, no further upgrades needed

Lock Operation

Date/Time Stamp	Real time: date and hours/minutes
Programming & Audit Trail Downloading	Using handheld units (dormakaba M-Unit, FDU, HH6) or remotely through Messenger wireless system to obtain key use history reports from the lock, or using a 4K audit keycard
Preregistered Keycards	Keys can be made up to ten days in advance without cancelling current or arriving guests
Keycard Expiry	Configurable expiration dates; can be automatically set for check out date or manually applied when making key during check-in process
Passage Mode	Set by authorized keycard or Messenger system. Can optionally also be configured to perform an automated/pre-defined passage mode time
Lockout Mode	Set by authorized keycard or Messenger system
Keycards Accepted	RFID cards or tags. Supports Mifare Classic (Mini, 1K, 4K) and supports Mifare Plus (1K,2K,4K) and Ultralight C (Guest) credentials
Feedback	"Dual sensory" audible and light indicators
Diagnostics	Light indicators and handheld display
Audit Memory	Saflok systems: up to 4000 events Ilco systems: up to 2000 events
Disability Feature	Available for special openings
Privacy Override	Emergency keycard

Confidant RFID (European Mortise Lock Case)

Overview

Certification and Testing

Accessibility Standard	Complies with 2010 ADA Standards for Accessible Design
Industry Standards	Fire resistance 30 minutes per EN 1634-1 DIN 18273 with DIN lever handles (Kit 2-3) Approved compliant door and lock case must be used
Electronics	Compliant and listed to CE 61000-4, FCC Part 15 and Industry Canada RSS-210. Complies with CE Radio Equipment Directive 2014/53/EU
Environmental Operating Conditions	-35°C to 70°C 0% to 85% non-condensing humidity at 30°C Certified to IP54 for dust and elements on IEC 60529

Warranty

Standard Factory Warranty	Two years
Support Programs	dormakaba Service Plans available

Confidant RFID Kit 2

Certification and Testing

Industry Standards:	Confidant RFID Kit 2 (with 7mm, 8 mm and 9mm spindle) * complies with the classification EN 1906 *Rose Mount (key override) only
---------------------	--

Classification EN 1906 for Confidant RFID Kit 2:

With 7mm spindle:

Category of Use	Durability	Door Mass	Fire Resistance	Safety	Corrosion Resistance	Security	Type of Operation
2	6	-	B	1	4	0/1*	A

With 8mm and 9mm spindle:

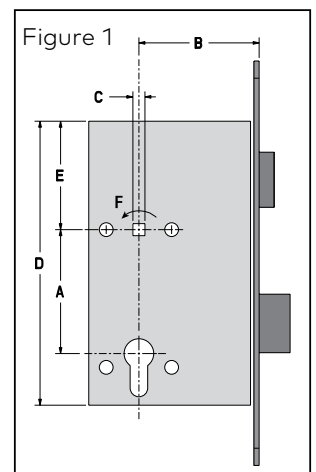
Category of Use	Durability	Door Mass	Fire Resistance	Safety	Corrosion Resistance	Security	Type of Operation
3	7	-	B/D*	1	4	0/1*	A

*Class D: Only for items with stainless steel handle.

Confidant RFID Kit 2 Compatible Lock Cases (see figure 1):

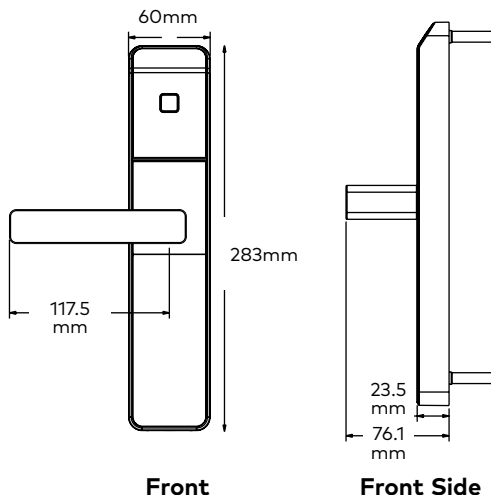
- A) Distance between mortise drive and cylinder: 70mm to 92mm for Euro profile / 74mm to 78mm for Swiss profile
- B) Backset: minimum 40 mm
- C) Spindle size: 7mm, 8mm, 8.5mm or 9mm square
- D) Case length: 135mm to 200mm
- E) Distance between drive and top: 30mm to 80.5mm
- F) Rotation of spindle hub: less than 60 degrees

Warning: Install only on mortise with Anti-Panic and an auxiliary dead latch (Anti-Pick system)



Confidant RFID Kit 1 (European Mortise Lock Case)

Ordering



Standard Model Number										
C	S	00	0	K	S	-	7	M	C	N
Lock Model			Bluetooth	Outside housing Options				Installation Options		

Build the model number with the required options										
C	S	00				-				
Lock Model			Bluetooth	Outside housing Options				Installation Options		

Lock Model			Bluetooth	Outside housing Options		Installation Options			
Confidant RFID (Fixed value)	System (Fixed value)	Operating System	Bluetooth	Cylinder Support	Outside Lever	Spindle Kit	Mounting Screw	Finish	Mounting Plate
C	S Saflok	00 Stand alone RO Messenger Ready M1 Messenger US M2 Messenger EU/Asia M3 Messenger Int'l MW Incom NO Escape Return Standalone	0 NO BLE 1 BLE Ready 2 BLE Enabled D DEMO No BLE E DEMO BLE Enabled	K Cylinder Support E No Cylinder	S Short L Long Return D*** DIN Lever N No Lever 	7 7mm 8 8 mm 9 9 mm C Custom N None (separate h/*w bag)	M** M4 & M5	C Satin Chrome B Satin Brass E Satin Chrome Exterior H Satin Brass Exterior U Satin Chrome Oceanfront	N No option

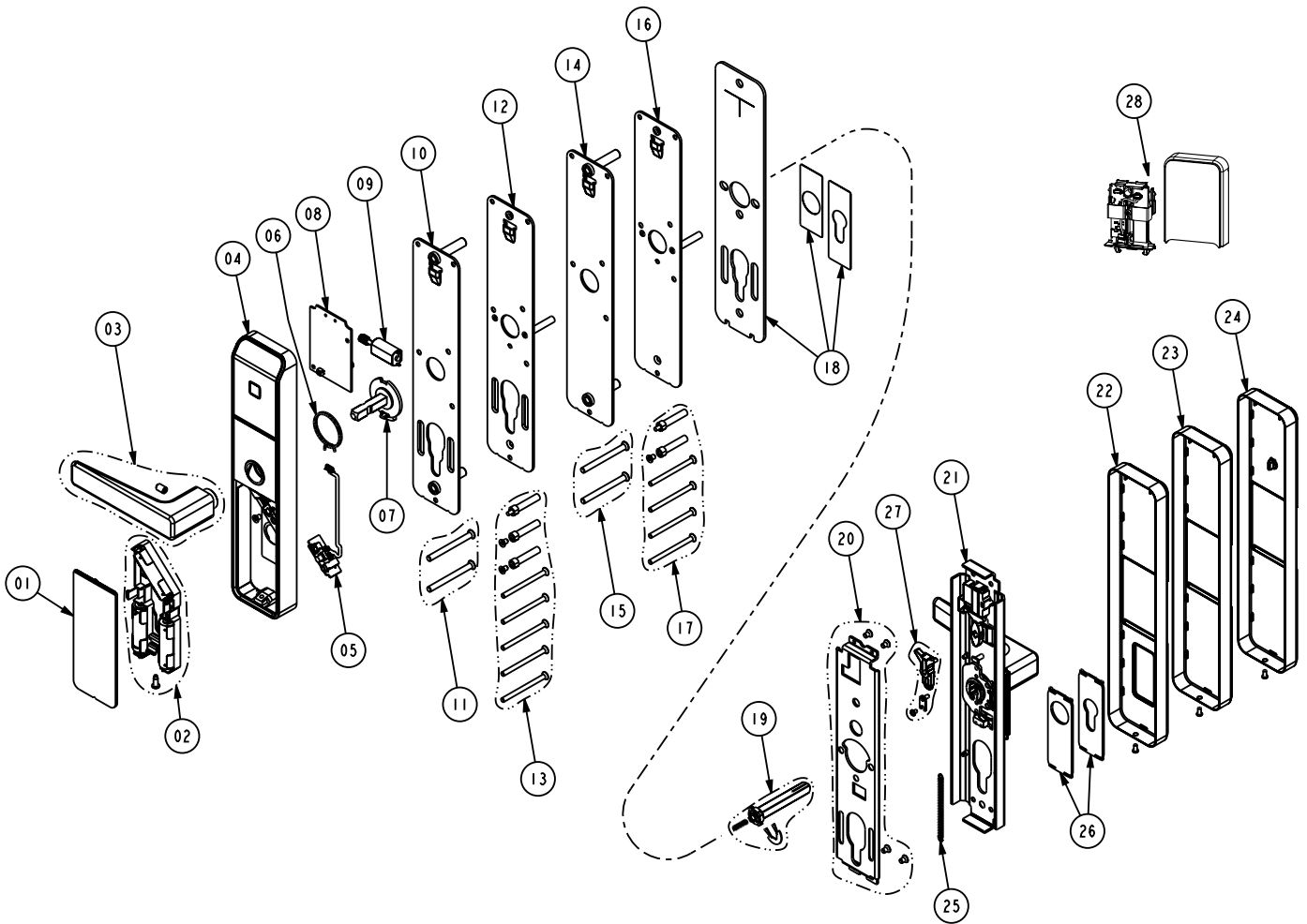
* For door thicknesses greater than 55mm, please choose appropriate screws and spindle kits from spare parts list page 27. Screws provided for both rose and back plate mounting. Mounting screw selection applies for rosette mounting. M5 screws always provided for back plate mounting.

**Screws provided for both rose and back plate mounting.

***DIN style lever Confidant RFID Kit 1 is not DIN certified

Confidant RFID Kit 1 (European Mortise Lock Case)

Spare Parts



***Choosing correct spindle Kit:**

Inner side
DOOR
Spindle
Lever & rose

$B = \text{Spindle length} - A$ (door thickness)
Conditions:
 $B = \text{or } > C + 5 \text{ mm}$
 $B < D$

Confidant RFID Kit 1 (European Mortise Lock Case)

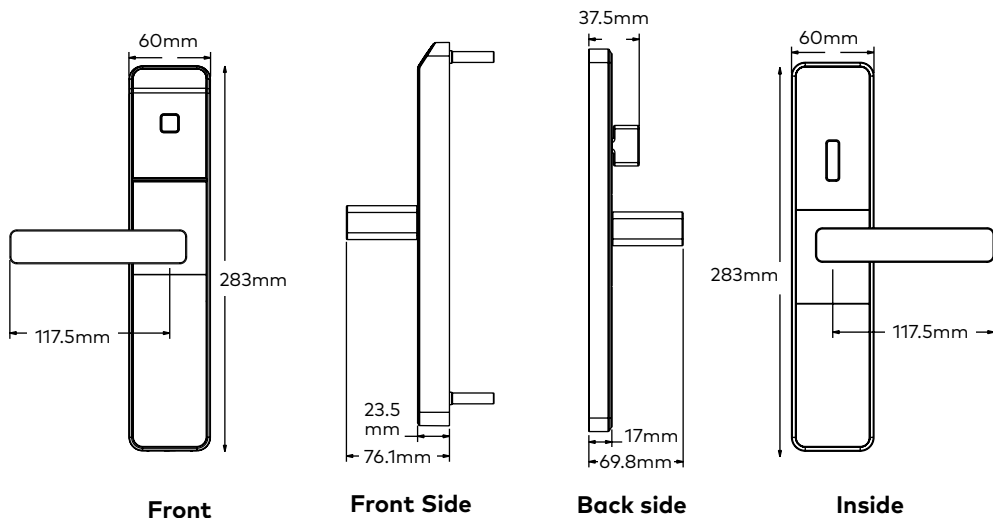
Ordering

ITEM NUMBER	PART NUMBER	DESCRIPTION
1	118+513769	Battery door kit Confidant RFID
2	118+5133774+3	Battery holder kit Confidant RFID
3	069+513776+1626	Short lever handle 8 mm w/screw (Satin Chrome)
	069+513776+1906	Short lever handle 8 mm w/screw (Satin Brass)
	069+513776+1828	Short lever handle 8 mm w/screw (Ocean Front Chrome)
	069x513974+4626	Long lever handle 8 mm w/screw (Satin Chrome)
	069x513974+4906	Long lever handle 8 mm w/screw (Satin Brass)
	069x513974+4828	Long lever handle 8 mm w/screw (Ocean Front Chrome)
4	FCSxxxExNNNN10N-xx*	Front lock housing
5	064-513764-2	Confidant lock transition PCB w/cable short
6	012-513751	Lever spring Confidant RFID
7	118-514116	Outside hub and spindle kit Confidant RFID
8	064-516708-102	Confidant lock main PCB Saflok Bluetooth compatible (ocean front version) - (also for Older Version -002 PCB replacements)
	064-516708-E102	Confidant lock main PCB Saflok Bluetooth compatible (ocean front version) - (also for Older Version -E002 PCB)
9	063+514042	Motor worm kit Confidant RFID
10	118-514318-1	Back plate Confidant RFID key override
11	062-514919-1626	Screws & posts key override Confidant RFID - doors 35 to 55 mm (Satin Chrome)
	062-514919-1606	Screws & posts key override Confidant RFID - doors 35 to 55 mm (Satin Brass)
	062-514919-2626	Screws only key override Confidant RFID - doors > 55 to 75 mm (Satin Chrome)
	062-514919-2606	Screws only key override Confidant RFID - doors >55 to 75 mm (Satin Brass)
	062-514919-3626	Screws only key override Confidant RFID - doors >75 to 95 mm (Satin Chrome)
	062-514919-3606	Screws only key override Confidant RFID - doors >75 to 95 mm (Satin Brass)
12	118-514318-2	Back plate Confidant RFID no key override
13	062-514920-1626	Screws & posts w/out key override Confidant RFID - doors 35 to 55 mm (Satin Chrome)
	062-514920-1606	Screws & posts w/out key override Confidant RFID - doors 35 to 55 mm (Satin Brass)
	062-514920-2626	Screws only w/out key override Confidant RFID - doors >55 to 75 mm (Satin Chrome)
	062-514920-2606	Screws only w/out key override Confidant RFID - doors >55 to 75 mm (Satin Brass)
	062-514920-3626	Screws only w/out key override Confidant RFID - doors >75 to 95 mm (Satin Chrome)
	062-514920-3606	Screws only w/out key override Confidant RFID - doors >75 to 95 mm (Satin Brass)
14	062+514343+1	Outdoor kit Confidant RFID euro profile cylinder
	062+514343+2	Outdoor kit Confidant RFID swiss profile cylinder
	062+514343+3	Outdoor kit Confidant RFID no cylinder
15	062+514598+1A	Spindle kit 8mm x 70mm long
	062+514598+1B	Spindle kit 8mm x 84mm long
	062+514598+1C	Spindle kit 8mm x 91mm long
	062+514598+1D	Spindle kit 8mm x 105mm long
	062+514598+1E	Spindle kit 8mm x 111mm long
	062+514598+1F	Spindle kit 8mm x 125mm long
	062+514598+1G	Spindle kit 8mm x 131mm long
	062+514598+2A	Spindle kit 9mm x 70mm long
	062+514598+2B	Spindle kit 9mm x 84mm long
	062+514598+2C	Spindle kit 9mm x 91mm long
	062+514598+2D	Spindle kit 9mm x 105mm long
	062+514598+2E	Spindle kit 9mm x 111mm long
	062+514598+2F	Spindle kit 9mm x 125mm long
	062+514598+2G	Spindle kit 9mm x 131mm long
	062+514598+3A	Spindle kit 7mm x 70mm long
	062+514598+3B	Spindle kit 7mm x 84mm long
	062+514598+3C	Spindle kit 7mm x 91mm long
	062+514598+3D	Spindle kit 7mm x 105mm long
	062+514598+3E	Spindle kit 7mm x 111mm long
	062+514598+3F	Spindle kit 7mm x 125mm long
	062+514598+3G	Spindle kit 7mm x 131mm long

* To configure part, visit www.saflokstore.com or contact customer service: 1.248.837.3700 / 1.800.999.6213 / techsupport.lgs.us@dormakaba.com
Screws provided for both rose and back plate mounting. Mounting screw selection applies for rosette mounting. M5 screws always provided for back plate mounting.

Confidant RFID Kit 2 (European Mortise Lock Case)

Ordering



Standard Model Number														
C	S	00	0	K	S	-	7	4	C	R	-	N	P	S
Lock Model	Bluetooth	Outside housing Options		Installation Options				Inside housing Options						

Build the model number with the required options														
C	S	00				-					-			
Lock Model	Bluetooth	Outside housing Options		Installation Options				Inside housing Options						

Lock Model			Bluetooth	Outside housing Options		Installation Options				Inside housing Options		
Confidant RFID (Fixed value)	System (Fixed value)	Operating System	Bluetooth	Cylinder Support	Outside Lever	Spindle Kit	Mounting Screw	Finish	Mounting Plate	Cylinder Support	Privacy	Inside Lever
C	S Saflok	00 Stand alone R0 Messenger Ready M1 Messenger US M2 Messenger EU/Asia M3 Messenger Int'l MW Incom NO Escape Return Standalone	0 BLE Compatible 1 BLE Ready 2 BLE Enabled D BLE Compatible Demo E BLE Enabled Demo	K Cylinder Support E No Cylinder	S Short Return L Long Return (approved for EN 179) D DIN Lever (approved for EN179) N No Lever	7 7mm 8 8 mm 9 9 mm (Required for DIN certified locks) B Austria 8.5 mm	4 M4 5 M5	C Satin Chrome Interior B Satin Brass Interior E Satin Chrome Exterior H Satin Brass Exterior U Satin Chrome Ocean-front	***R Rose Mount **B Backplate mount	*C Euro profile or Swiss cylinder (no privacy) N No cylinder	N No Thumbturn, no privacy P Privacy Thumbturn	S Short Return L Long Return D DIN Lever (approved for EN179) Requires 9mm spindle N No Lever

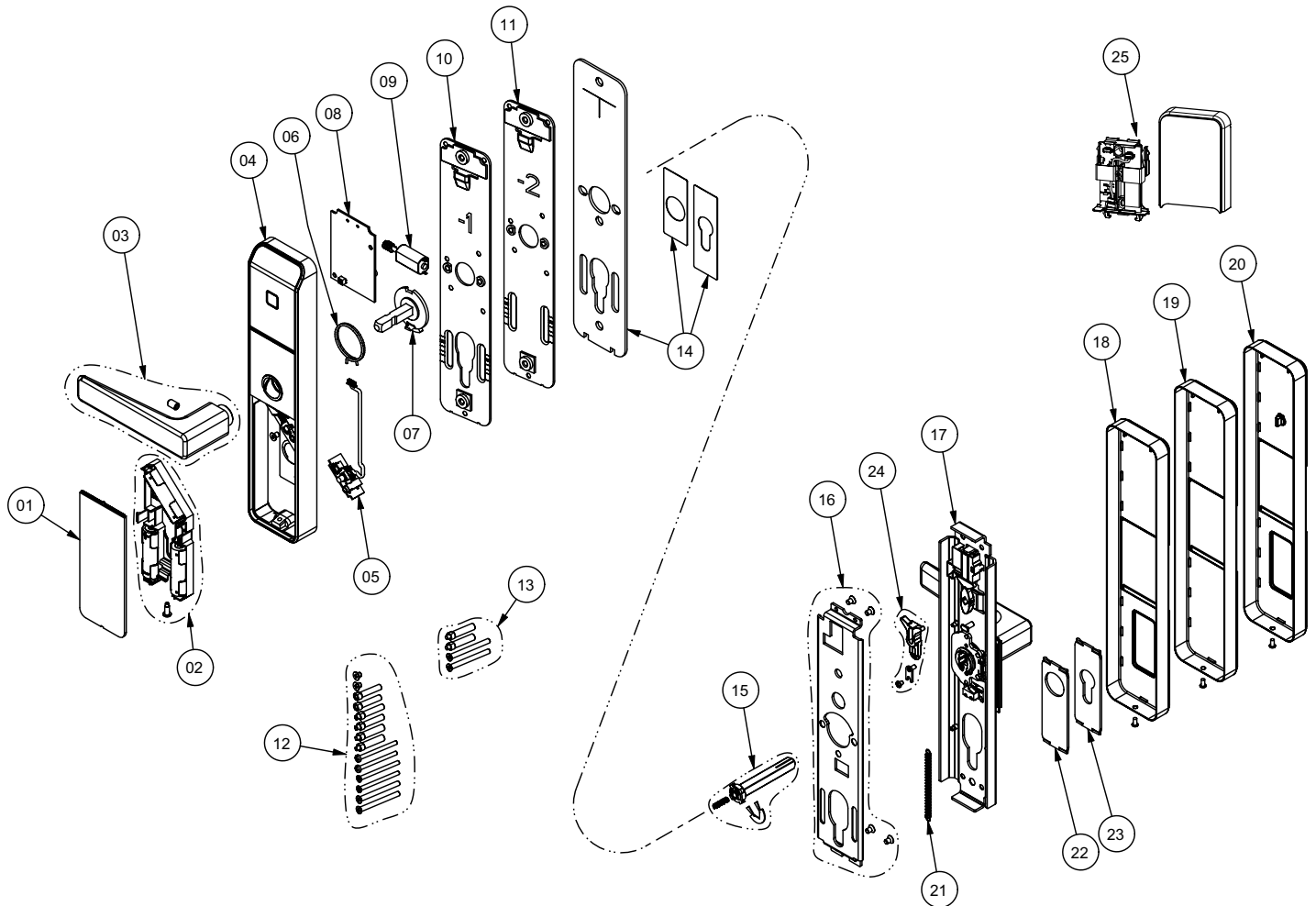
* Inside cylinder support not available with privacy thumbturn option.

** Backplate mount only available with M5 screws.

*** Rose Mount only available with M4 screws.

Confidant RFID Kit 2 (European Mortise Lock Case)

Spare Parts



Confidant RFID Kit 2 (European Mortise Lock Case)

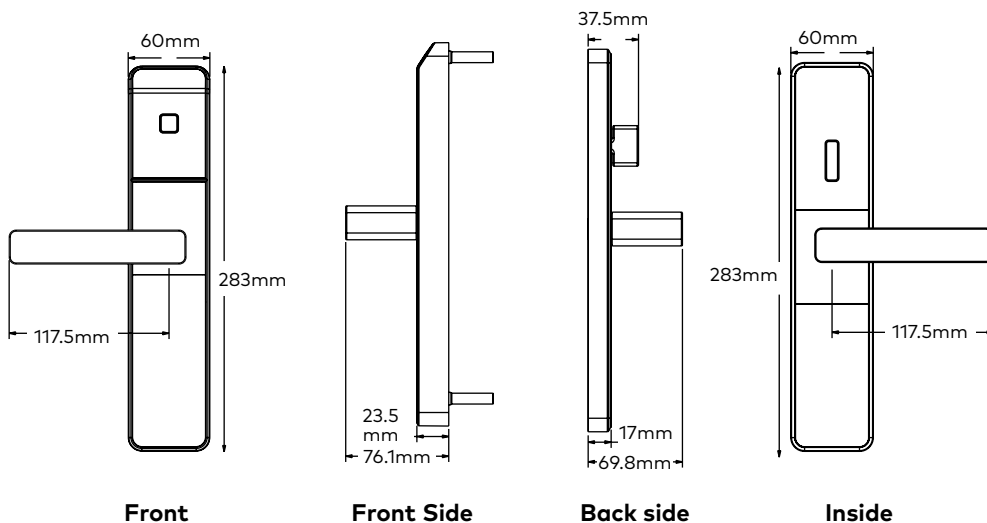
Ordering

ITEM NUMBER	PART NUMBER	DESCRIPTION
1	118+513769+U	Battery door Kit Confidant RFID
2	118+513774+3	Battery holder assy Confidant RFID
3	069+513776+1626	Lever handle short 8 mm w/screw (satin chrome)
	069+513776+1906	Lever handle short 8 mm w/screw (satin brass)
	069+513776+1828	Lever handle short 8 mm w/screw (ocean front chrome)
	069+514974+4626	Lever handle long 8 mm w/screw (satin Chrome)
	069+514974+4906	Lever handle long 8 mm w/screw (satin Brass)
	069+514974+4828	Lever handle long 8 mm w/screw (ocean front Chrome)
	062-514994-2630	DIN lever handle 8 mm w/screw & bushing (Stainless steel)
4	FCSxxxxxNNxx10N-xx*	Front lock housing
5	064-513764-2	Confidant RFID lock transition PCB w/cable
6	012-513751	Lever spring Confidant RFID
7	118-514116	Outside hub and spindle kit Confidant RFID
8	064-516708-102	Confidant lock main PCB Saflok Bluetooth compatible (ocean front version) -(also for older version -002 PCB replacements)
	064-516708-E102	Confidant lock main PCB Saflok Bluetooth compatible (ocean front version) - (also for older version -002 PCB replacements)
9	063+514042	Motor worm kit Confidant RFID
10	118-514318-1	Back plate Confidant RFID key override cylinder
11	118-514318-2	Back plate Confidant RFID w/out key override cylinder
12	062-514995-1	M4 Screws & posts Confidant RFID Rose Mount - doors 35 to 55 mm
	062-514995-2	M4 Screws only Confidant RFID Rose Mount - doors > 55 to 75 mm
	062-514995-3	M4 Screws only Confidant RFID Rose Mount - doors >75 to 95 mm
13	062-514996-1	M5 Screws & posts Confidant RFID Backplate Mount - doors 35 to 55 mm
	062-514996-2	M5 Screws only Confidant RFID Backplate Mount - doors > 55 to 75 mm
	062-514996-3	M5 Screws only Confidant RFID Backplate Mount - doors >75 to 95 mm
14	062+514343+1	Outdoor kit Confidant RFID euro profile cylinder
	062+514343+2	Outdoor kit Confidant RFID swiss profile cylinder
	062+514343+3	Outdoor kit Confidant RFID no cylinder
15	062-514671-1	Spindle kit 8 mm x 90 mm - doors 35 to 65 mm
	062-514671-2	Spindle kit 9 mm x 90 mm - doors 35 to 65 mm
	062-514671-3	Spindle kit 7 mm x 90 mm - doors 35 to 65 mm
	062-514671-4	Spindle kit 8 mm x 120 mm - doors >65 to 95 mm
	062-514671-5	Spindle kit 9 mm x 120 mm - doors >65 to 95 mm
	062-514671-6	Spindle kit 7 mm x 120 mm - doors >65 to 95 mm
	062+514598+4A	Spindle kit 8.5mm Confidant Door Thk 35mm - 47mm
	062+514598+4B	Spindle kit 8.5mm Confidant Door Thk 43mm - 45mm
	062-514671-7	Spindle kit 9 mm x 95 mm - doors 35 to 55 mm (DIN locks)
062-514671-8	Spindle kit 9 mm x 115 mm - doors >55 to 75 mm (DIN locks)	
062-514671-9	Spindle kit 9 mm x 135 mm - doors >75 to 95 mm (DIN locks)	
16	062-514106	Rose mount back plate and screws
17	BCSxxxxxxxxx1N-xx*	Inside trim kit
18	062-514166-2626	Trim plate and contour w/cylinder (satin chrome)
	062-514166-2906	Trim plate and contour w/cylinder (satin brass)
	062-514166-6626	Trim plate and contour for Messenger/Bluetooth option w/cylinder (satin chrome)
	062-514166-6606	Trim plate and contour for Messenger/Bluetooth option w/cylinder (satin brass)
19	062-514166-1626	Trim plate and contour (satin chrome)
	062-514166-1906	Trim plate and contour (satin brass)
	062-514166-5626	Trim plate and contour for Messenger/Bluetooth option (satin chrome)
	062-514166-5906	Trim plate and contour for Messenger/Bluetooth option (satin brass)
20	062-513975-1626	Trim plate and turn knob (satin chrome)
	062-513975-1606	Trim plate and turn knob (satin brass)
	062-513975-3626	Trim plate and turn knob for Messenger/Bluetooth option (satin chrome)
	062-513975-3606	Trim plate and turn knob for Messenger/Bluetooth option (satin brass)
21	012-514105	Extension spring
22	062-513956-1	Cylinder trim swiss profile cylinder
23	062-513956-2	Cylinder trim euro profile cylinder
24	062-514696	Retainer kit
25	118-514870-P	Antenna cover ass'y confidant
	118-514870-P-Z-BT-2	Antenna cover ass'y with Messenger/Bluetooth Confidant

* To configure part, visit www.saflokstore.com or contact customer service: 1.248.837.3700 / 1.800.999.6213 / techsupport.lgs.us@dormakaba.com

Confidant RFID Kit 3 (European Mortise Lock Case)

Ordering



Standard Model Number																	
C	S	00	O	K	L	-	9	4	C	R	-	N	P	L	B	O	R
Lock Model		Bluetooth	Outside housing Options		Installation Options				Inside Housing Options			Mortise Options					

Build the model number with the required options																	
C	S	00				-						-				O	
Lock Model		Bluetooth	Outside housing Options		Installation Options				Inside Housing Options			Mortise Options					

Lock Model			Bluetooth	Outside housing Options		Installation Options				Inside Housing Options			Mortise Options		
Confidant RFID (Fixed value)	System (Fixed value)	Operating System	Bluetooth	Cylinder Support	Outside Lever	Spindle Kit	Mounting Screw	Finish	Mounting Plate	Cylinder Support	Privacy	Inside Lever	Model	Deadbolt: Functionality	Handing
C	S Saflok	00 Stand alone RO Messenger Ready M1 Messenger US M2 Messenger EU/Asia M3 Messenger Int'l MW Incom NO Escape Return Standalone	O NO BLE 1 BLE Ready 2 BLE Enabled D DEMO No BLE E DEMO BLE Enabled H BLE Hilton (only for Hilton properties)	K Cylinder Support E No Cylinder	S Short Return (Not approved for EN 179) L Long Return (Approved for EN 179) D DIN Lever (Approved for EN 179) N No Lever	9 9 mm	4 M4 5 M5	C Satin Chrome B Satin Brass E Satin Chrome Exterior H Satin Brass Exterior U Satin Chrome Oceanfront	***R Rose Mount **B Backplate mount	N No cylinder *C Euro profile or Swiss cylinder (no privacy)	N No Thumbturn, no Privacy P Privacy Thumbturn with kickoff	S Short Return (Not approved for EN 179) L Long Return (Approved for EN 179) D DIN Lever (Approved for EN 179) N No Lever	B BMH 801 lock case 20mm face plate (approved for EN 179) C BMH 801 lock case 24mm face plate (approved for EN 179)	O Standard Dead Bolt	R RH or LHR L LH or RHR

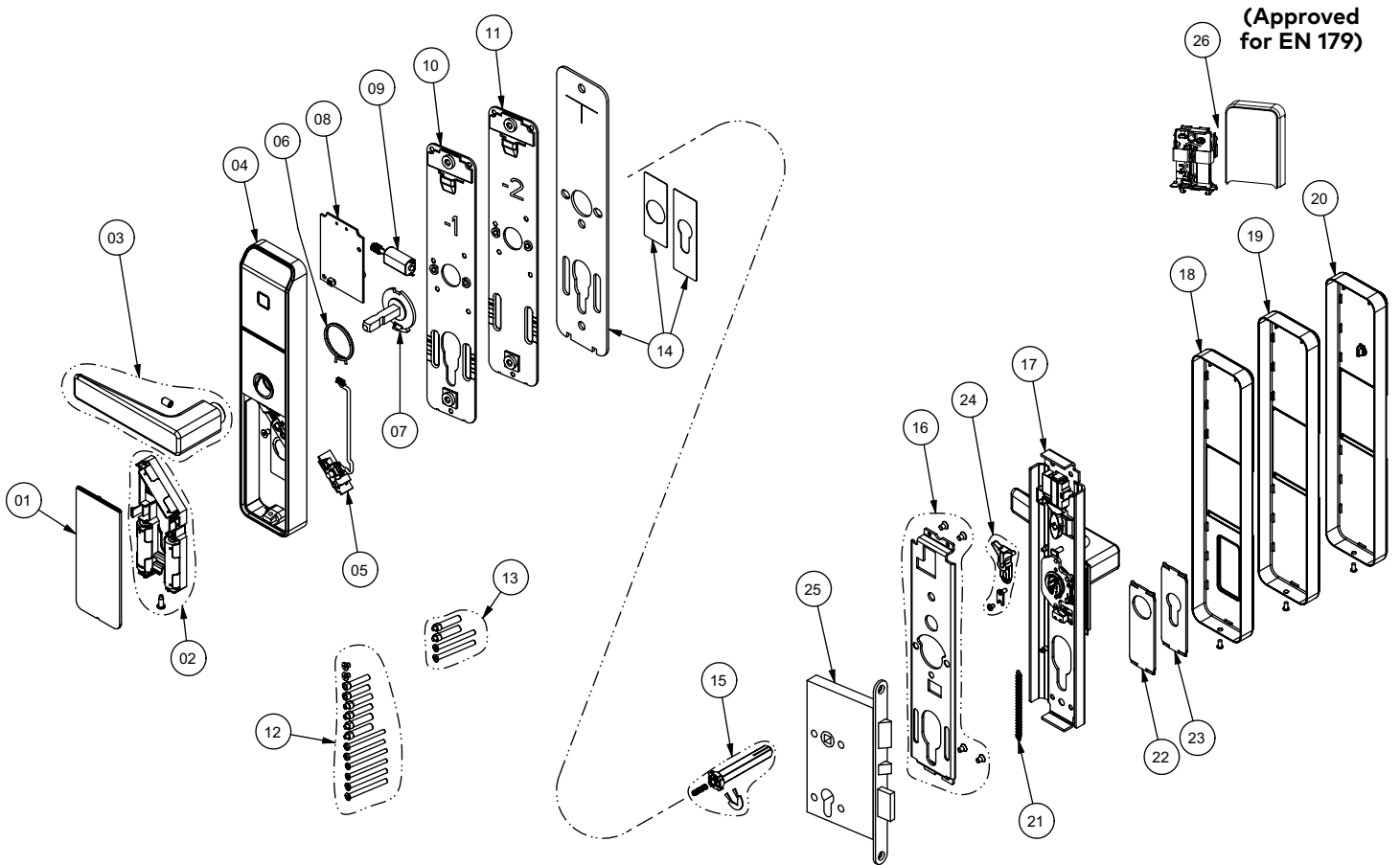
* Inside cylinder support not available with privacy thumbturn option.

** Backplate mount only available with M5 screws.

*** Rose Mount only available with M4 screws.

Confidant RFID Kit 3 (European Mortise Lock Case)

Spare Parts



Confidant RFID Kit 3 (European Mortise Lock Case)

Spare Parts

ITEM NUMBER	PART NUMBER	DESCRIPTION
1	118-513769	Battery door Kit Confidant RFID
2	118-513774+3	Battery holder assy Confidant RFID
3	069+513776+1626	Lever handle 8 mm w/screw (satin chrome)
	069+513776+1906	Lever handle 8 mm w/screw (satin brass)
	069+513776+1828	Lever handle 8 mm w/screw (ocean front chrome)
	069+513974+4626	Long lever handle 8 mm w/screw (Satin Chrome)
	069+513974+4906	Long lever handle 8 mm w/screw (Satin Brass)
	069+513974+4828	Long lever handle 8 mm w/screw (Ocean Front Chrome)
	062+514994+630	DIN lever handle 8 mm w/screw & bushing (Stainless steel)
4	FCS00xExNNxx10N-xx*	Front lock housing
5	064-513764-2	Confidant RFID lock transition PCB w/cable
6	012-513751	Lever spring Confidant RFID
7	118-514116	Outside hub and spindle kit Confidant RFID
8	064-513708-102	Confidant lock main PCB Saflok Bluetooth compatible (ocean front) - (also for older version -002 PCB replacements)
	064-513708E102	Confidant lock main PCB Saflok Bluetooth compatible (Ocean Front) - (also for older version E002 PCB replacements)
9	063+514042	Motor worm kit Confidant RFID
10	118-514318-1	Back plate Confidant RFID key override cylinder
11	118-514318-2	Back plate Confidant RFID w/out key override cylinder
12	062-514995-1	M4 Screws & posts Confidant RFID Rose Mount - doors 35 to 55 mm
	062-514995-2	M4 Screws only Confidant RFID Rose Mount - doors > 55 to 75 mm
	062-514995-3	M4 Screws only Confidant RFID Rose Mount - doors >75 to 95 mm
13	062-514996-1	M5 Screws & posts Confidant RFID Backplate Mount - doors 35 to 55 mm
	062-514996-2	M5 Screws only Confidant RFID Backplate Mount - doors > 55 to 75 mm
	062-514996-3	M5 Screws only Confidant RFID Backplate Mount - doors >75 to 95 mm
14	062+514343+1	Outdoor kit Confidant RFID euro profile cylinder
	062+514343+2	Outdoor kit Confidant RFID swiss profile cylinder
	062+514343+3	Outdoor kit Confidant RFID no cylinder

ITEM NUMBER	PART NUMBER	DESCRIPTION
15	062-514671-2	Spindle kit 9 mm x 90 mm - doors 35 to 65 mm
	062-514671-5	Spindle kit 9 mm x 120 mm - doors >65 to 95 mm
	062-514671-7	Spindle kit 9 mm x 95 mm - doors 35 - 55 mm (DIN locks)
	062-514671-8	Spindle kit 9 mm x 115 mm - doors >55 - 75 mm (DIN locks)
	062-514671-9	Spindle kit 9 mm x 135 mm - doors >75 - 95 mm (DIN locks)
16	062-514106	Rose mount back plate and screws
17	BCN00xExNxxx1N-xx*	Inside trim kit w/out privacy
	BCN00xExPxxx1N-xx*	Inside trim kit with privacy and kick off
18	062-514166-2626	Trim plate and contour w/cylinder (satin chrome)
	062-514166-2906	Trim plate and contour w/cylinder (satin brass)
	062-514166-6626	Trim plate and contour w/cylinder (satin chrome, Mssgr/BLE version)
	062-514166-6906	Trim plate and contour w/cylinder (satin chrome, Mssgr/BLE version)
19	062-514166-1626	Trim plate and contour (satin chrome)
	062-514166-1906	Trim plate and contour (satin brass)
	062-514166-5626	Trim plate and contour (satin chrome, Mssgr/BLE version)
	062-514166-5906	Trim plate and contour (satin chrome, Mssgr/BLE version)
20	062-513975-1626	Trim plate and turn knob (satin chrome)
	062-513975-1906	Trim plate and turn knob (satin brass)
	062-513975-3626	Trim plate and turn knob (satin chrome, Mssgr/BLE version)
	062-513975-3906	Trim plate and turn knob (satin chrome, Mssgr/BLE version)
21	012-514105	Extension spring
22	062-513956-1	Cylinder trim swiss profile cylinder
23	062-513956-2	Cylinder trim euro profile cylinder
24	062-514696	Retainer kit
25	062-515016-L630	BMH 801 lock case, 65mm backset, 20mm faceplate, LH
	032-515016-R630	BMH 801 lock case, 65mm backset, 20mm faceplate, RH
	032-515071-L630	BMH 801 lock case, 65mm backset, 24mm faceplate, LH
	032-515071-R630	BMH 801 lock case, 65mm backset, 24mm faceplate, RH
26	118-514870-P	Antenna cover ass'y Confidant
	118-514870-P-Z-BT-2	Antenna cover ass'y with Messenger/bluetooth Confidant

Confidant RFID (ANSI Mortise Lock Case)

Lock Overview

The Confidant RFID asserts a softer, more engaging look to reflect true hospitality. Together with graceful lines and clean aesthetics, its RFID technology enhances the guest experience while extending the service life of the lock. This ultra-modern lock conveniently functions with dormakaba access management software and stand-alone devices.

Mobile Access

This Bluetooth Low Energy (BLE) capable lock can operate using the dormakaba Mobile Access Solutions.

Applications

- Available with mortise or tubular latch applications
- Suitable for small to very large scale hotels
- Easily replaces existing mechanical or electronic door locks
- Works with third party mortise lock case and door hardware
- Access control for guest rooms, common areas, and back-of-house

Security Features

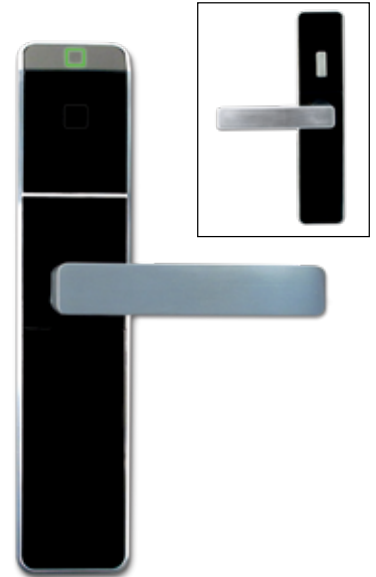
- Vandalism and attack resistant
- Improved tamper resistance; tamper alarm is reset by emergency key or dormakaba handheld programming device
- Emergency access: emergency keycard and electronic override

Low Maintenance

- Operates with a completely sealed contactless reader
- Batteries last up to 50,000 openings or up to 3 years
- Low battery indicator alerts staff
- Audit trail is retained during battery replacement and lock programming
- Wear resistant construction and finish

Access Management Software

The Confidant RFID lock is supported by dormakaba's robust access management software solution that features an array of access control workflows for both guest and staff access. Optionally, choose dormakaba's online access management solution for superior control and monitoring.



Confidant RFID (ANSI Mortise Lock Case)

Lock Overview

Mechanical Features

Outside Housing:	Zinc cast alloy construction with steel mounting plate/Field reversible levers. Ergonomic RFID reader with target to guide user/ LEDs for visual feedback. Panel that conceals lock batteries (3 alkaline AA type) and programming interface. Spindle socket
Inside Housing:	Stainless steel trim with a steel mounting plate construction / Field reversible levers (only short return levers) Privacy turn knob (optional)
Levers:	Available in short or long return designs. Outside lever free to rotate upward and downward in locked mode
Standard Finishes:	Satin chrome or satin brass
Batteries:	3 AA batteries for up to 50,000 openings or up to 3 years (based on 10 openings per day). Low battery indicator: alerts staff that batteries need to be changed soon
Deadbolt:	1" (25 mm) (for ASM mortise), projected by inside thumbturn and retracted with the latch by the interior handle, emergency override or specific staff keycards. Optional auto deadbolt available
Door Thickness:	From 1 3/8" to 2 1/2" (35mm to 66mm)
Standard Backset:	2 3/4" (70mm) mortise and tubular latch. 2 3/8" (60mm) tubular latch only
Locking Options:	ANSI lock case with 1 1/4" or 1" lock front mortise. Optional automatic deadbolt.
Online Configurations:	Messenger Ready Outside escutcheon with Messenger connector DAJ mortise (ANSI lock case) Standard inside escutcheon Messenger Online - Outside escutcheon with Messenger connector DAJ mortise (ANSI lock case) Inside enclosure with Messenger module.

Mobile Access Options

BLE ready:	Upgradable to BLE by adding BLE module
BLE enabled:	End cap with BLE module included, no further upgrades needed

Lock Operation

Date/Time Stamp	Real time: date and hours/minutes
Programming & Audit Trail Downloading	Using handheld units (dormakaba M-Unit, FDU, HH6) or remotely through Messenger wireless system to obtain key use history reports from the lock, or using a 4K audit keycard
Preregistered Keycards	Keys can be made up to ten days in advance without cancelling current or arriving guests
Keycard Expiry	Configurable expiration dates; can be automatically set for check out date or manually applied when making key during check in process
Passage Mode	Set by authorized keycard or Messenger system. Can optionally be configured to perform an automated/pre-defined passage mode time
Lockout Mode	Set by authorized keycard or Messenger system
Keycards Accepted	RFID cards or tags (ISO14443A with Mifare Classic) available in Mini, 1K and 4K memory sizes (4 byte NUID type)
Feedback	"Dual sensory" audible and light indicators
Diagnostics	Light indicators and handheld display
Audit Memory	Saflok systems: up to 4000 events ILCO systems: up to 2000 events
Disability Feature	Available for special openings
Privacy Override	Emergency keycards

Confidant RFID (ANSI Mortise Lock Case)

Lock Overview

Certifications and Testing

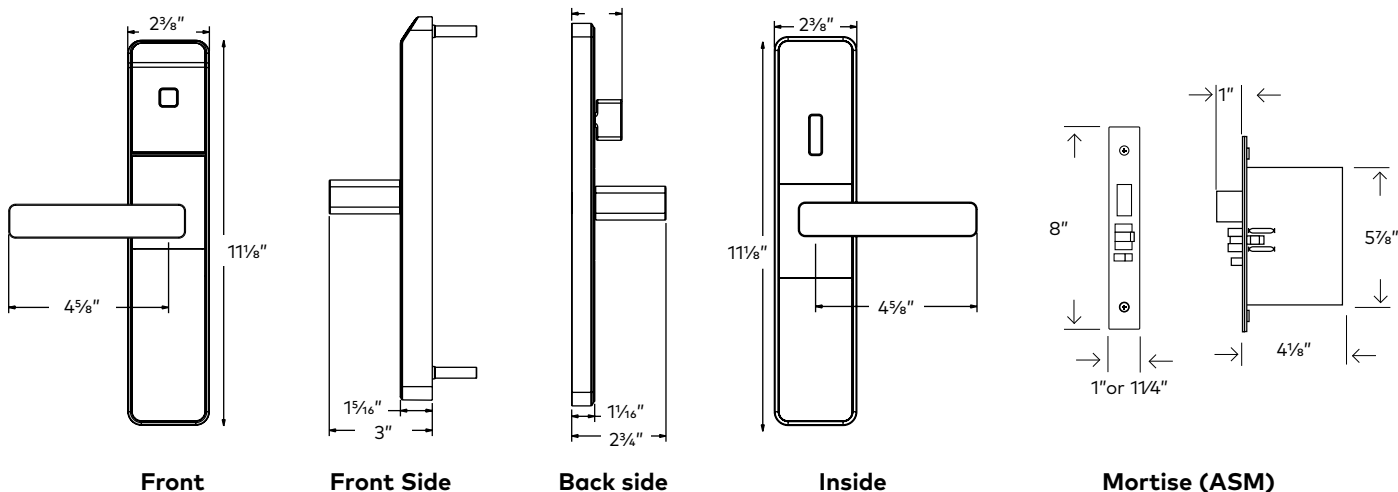
Accessibility Standard	ADA (Americans with Disability Act) compliant levers
Fire Rating	Meets UL 10C and ULC S-104, on fire door rated up to and including 3 hours with dormakaba ANSI lock case (ASM mortise) and 20 minutes with dormakaba tubular latch.
Electronics	Compliant IEC 61000-4, FCC Part 15 and Industry Canada RSS-210. CE R&TTE Directive 1999/EC.
Environmental Operating Conditions	-31°F to 151°F (-35°C to 66°C) 0% to 85% non-condensing humidity at 86°F (30°C)

Warranty

Standard Factory Warranty	Two years
Support Programs	dormakaba Service Plans

Confidant RFID (ANSI Mortise Lock Case)

Ordering



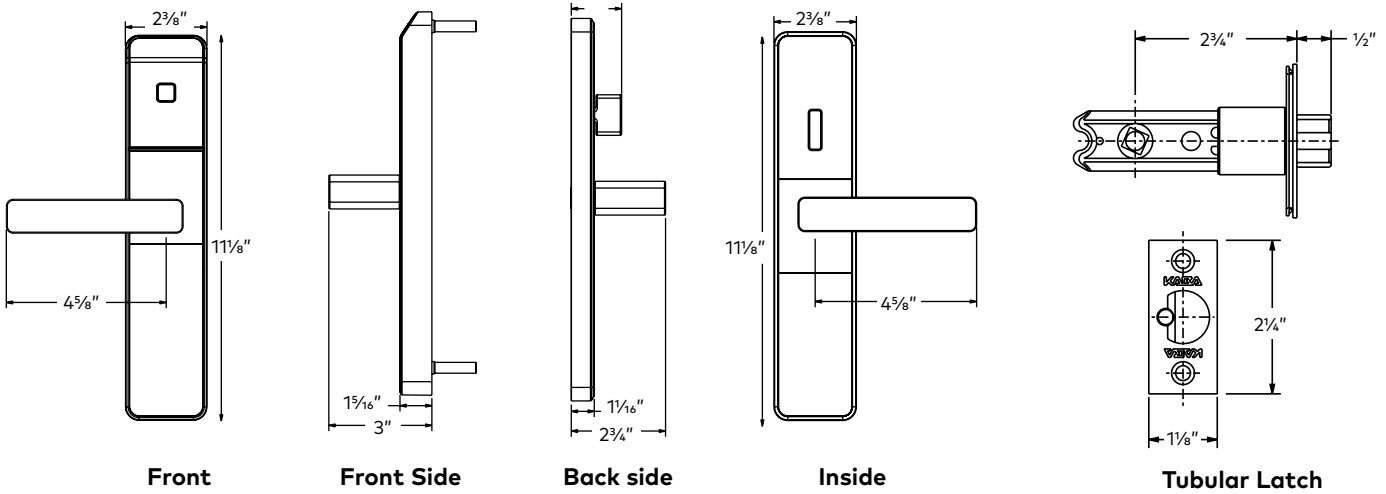
Standard Model Number - ASM / ESM (Example)																		
C	S	00	O	E	L	-	A	A	C	B	-	N	P	S	-	1	O	R
Lock Model			Bluetooth	Outside housing Options		Installation Options				Inside Housing Options			Mortise Options					

Build the model number with the required options																		
C	S	00		E		-	A	A		B	-	N			-			
Lock Model			Bluetooth	Outside housing Options		Installation Options				Inside Housing Options			Mortise Options					

Lock Model			Bluetooth	Outside housing Options		Installation Options				Inside Housing Options			Mortise Options			
Confidant RFID (Fixed value)	System (Fixed value)	Operating System	Bluetooth	Cylinder Support	Outside Lever	Spindle Kit	Mounting Screw	Finish	Mounting Plate	Cylinder Support	Privacy	Inside lever	Model	Deadbolt Functionality	Handing	
C	S Saflok	00 Stand alone R0 Messenger Ready M1 Messenger US M2 Messenger EU/Asia M3 Messenger Int'nl MW Incom NO Escape Return Standalone	O No BLE 1 BLE Ready 2 BLE Enabled D DEMO No BLE E DEMO BLE Enabled H BLE Hilton (only for Hilton properties)	E No Cylinder	S Short Return L Long Return (California compatible)	A 7.14 mm	A #12-24	C Satin Chrome B Satin Brass E Satin Chrome Exterior H Satin Brass Exterior U Satin Chrome Oceanfront	B Backplate mount	N No Cylinder	N No Thumbturn No Privacy P Privacy Thumbturn with kickoff	S Short C California (Non reversible No F mortise option)	1 ASM 1 1/4" 3 ASM 1"	O Std. DB (Requires Privacy) 1 ADB (not available with ESM) 2 No Deadbolt	L LH & RHR w/ S inside lever LH w/ California inside lever R RH & LHR w/ S inside lever RH w/ California inside lever X LHR w/ California inside lever Y RHR w/ California inside lever F Dual handed (RH mortise, 2 strikes) Reversible (not with California inside lever)	

Confidant RFID (Tubular Latch)

Ordering



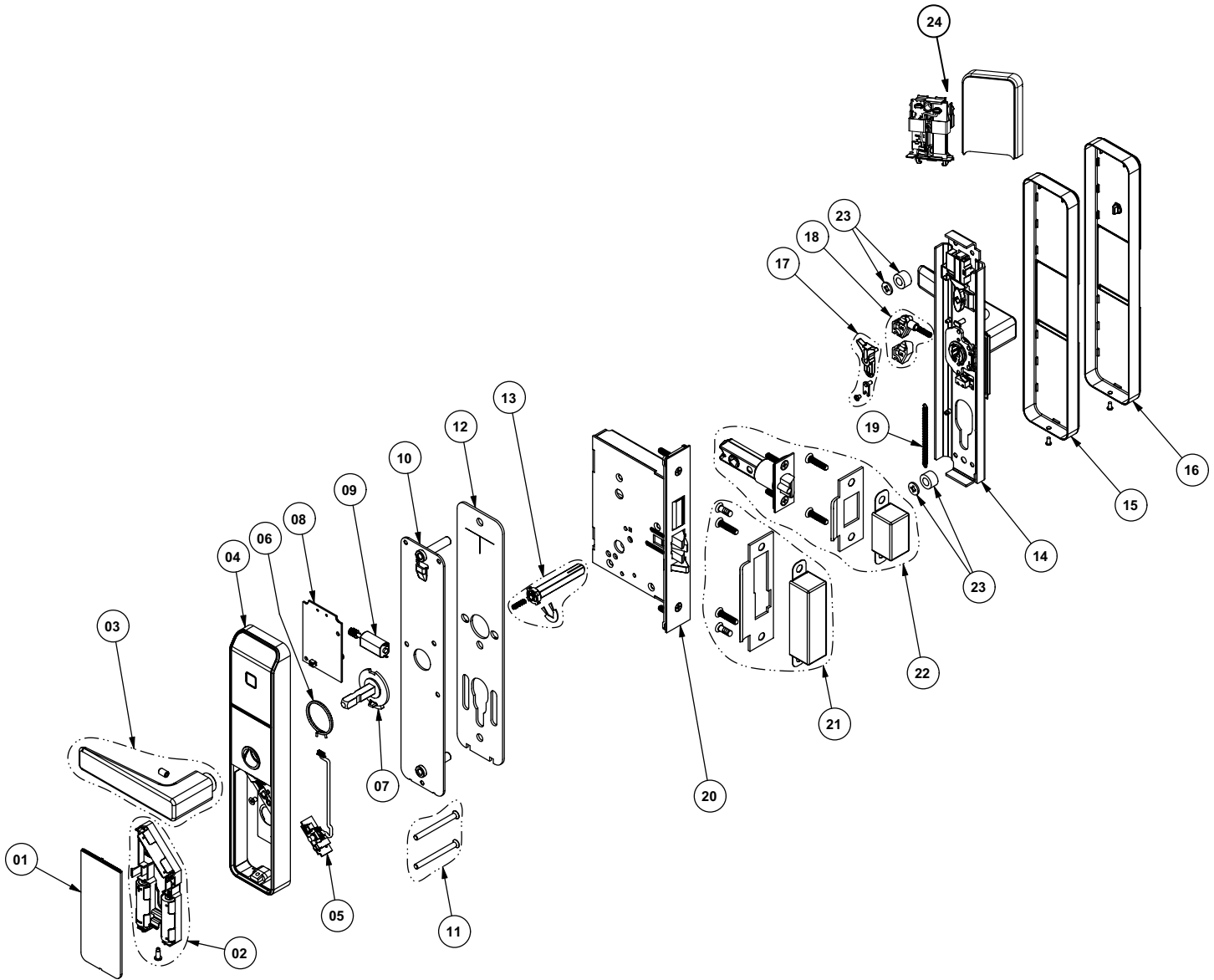
Standard Model Number - Tubular Latch (Example)																		
C	S	00	O	E	S	-	8	A	C	B	-	N	P	S	-	6	N	F
Lock Model		Bluetooth		Outside housing Options		Installation Options			Inside Housing Options			Mortise Options						

Build the model number with the required options																		
C	S	00		E		-	8	A		B	-	N			-		N	
Lock Model		Bluetooth		Outside housing Options		Installation Options			Inside Housing Options			Mortise Options						

Lock Model			Bluetooth	Outside housing Options		Installation Options				Inside Housing Options			Mortise Options		
Confidant RFID (Fixed value)	System (Fixed value)	Operating System	Bluetooth	Cylinder Support	Outside Lever	Spindle Kit	Mounting Screw	Finish	Mounting Plate	Cylinder Support	Privacy	Inside lever	Model	Deadbolt Functionality	Handing
C	S Saflok	00 Stand alone R0 Messenger Ready M1 Messenger US M2 Messenger EU/Asia M3 Messenger Int'nl MW Inncom NO Escape Return Standalone	O No BLE 1 BLE Ready 2 BLE Enabled D DEMO No BLE E DEMO BLE Enabled H BLE Hilton (only for Hilton properties)	E No Cylinder	S Short Return L Long Return (California compatible)	8 8 mm	A #12-24	C Satin Chrome B Satin Brass E Satin Chrome Exterior H Satin Brass Exterior U Satin Chrome Oceanfront	B Backplate mount	N No Cylinder	N No Thumbturn No Privacy P Privacy Thumbturn with kickoff	C California (non reversible. Handing provided with mortise options no F) S Short Return	6 Tubular 2 3/4" backset t-strike 7 Tubular 2 3/8" backset t-strike	N None	L LH R RH F Reversible (not with California inside lever)

Confidant RFID (Tubular Latch)

Spare Parts



Confidant RFID (Tubular Latch)

Spare Parts

ITEM NUMBER	PART NUMBER	DESCRIPTION
1	118+513769+u	Battery door Kit Confidant RFID
2	118+513774+2	Battery holder Kit Confidant RFID
3	069+513776+1626	Lever handle short 8 mm w/ screw (satin chrome)
	069+513776+1906	Lever handle short 8 mm w/ screw (satin brass)
	069+513776+1828	Lever handle short 8 mm w/ screw (ocean front chrome)
	069+514974+4626	Lever handle long 8 mm w/ screw (satin chrome)
	069+514974+4906	Lever handle long 8 mm w/ screw (satin brass)
	069+514974+4828	Lever handle long 8 mm w/ screw (ocean front chrome)
4	FCSxxxAENNxx10N-Uxx*	Front lock housing assembly
5	064-513764	Confidant RFID lock transition PCB w/cable
6	012-513751	Lever spring Confidant RFID
7	118-514116	Outside hub and spindle Kit Confidant RFID
8	064-513708-002	Confidant RFID lock main PCB Saflok
	064-513708E002	Confidant RFID lock main PCB Saflok (ocean front version)
	064-516708-102	Confidant lock main PCB Saflok Bluetooth compatible
	064-516708-E102	Confidant lock main PCB Saflok Bluetooth compatible (ocean front version)
9	063+514042	Motor worm Kit Confidant RFID
10	118-514318-3	Back plate Confidant RFID
11	062-514917-1626	Screws Confidant RFID-doors 1 3/8" to 2 1/2"
	062-514917-2626	Screws Confidant RFID-doors > 2 1/2" to 3 5/8"
12	033-513935	Gasket outside housing Confidant RFID
13	062-514673-1	Spindle Kit 1/2" x 3 1/16" - doors 1 3/8" to 2 1/2"
	062-514673-2	Spindle Kit 1/2" x 4 3/4" - doors > 2 1/2" to 3 5/8"

ITEM NUMBER	PART NUMBER	DESCRIPTION
14	BCSxxxANxxxx1N-Uxx*	Inside trim assembly
15	062-514166-1U626	Trim plate and contour sub (satin chrome)
	062-514166-1U906	Trim plate and contour sub (satin brass)
	062-514166-5U626	Trim plate and contour for Messenger/Bluetooth option (satin chrome)
	062-514166-5U906	Trim plate and contour for Messenger/Bluetooth option (satin brass)
16	062-513975-1U626	Trim plate and turn knob (satin chrome)
	062-513975-1U906	Trim plate and turn knob (satin brass)
	062-513975-3U626	Trim plate and turn knob for Messenger/Bluetooth option (satin chrome)
	062-513975-3U606	Trim plate and turn knob for Messenger/Bluetooth option (satin brass)
17	062-514696	Retainer kit
18	025-514557	Turn knob stopper ADB Mortise
	025-514694	Turn knob stopper ASM Mortise
19	012-514105	Extension spring
20	M76-xxx1-xxx*	ASM mortise
21	50413x-6xx-K*	Standard 4 7/8" (124 mm)
22	7x-A0580SC	Tubular latch kit 2 3/4" Backset
	7x-A0570SC	Tubular latch kit 2 3/8" Backset
23	062-514814	Spacer Kit
24	1118-514870-U	Antenna cover ass'y Confidant
	118-514870-U-xx-xx-x	Antenna cover ass'y with Messenger/Bluetooth Confidant

* To configure part, visit www.Saflokstore.com or contact customer service: 1.248.837.3700 / 1.800.999.6213./ infoSaflok@kaba.com

Saflok RT™ RFID

Lock Overview

The Saflok RT is a rugged full-body electronic lock that offers RFID technology to enhance guest convenience and improve operational efficiency. This durable lock is easy to use and works with Saflok access management software.

Mobile Access

This Bluetooth Low Energy (BLE) capable lock can operate using the dormakaba Mobile Access Solutions.

Applications

- Suitable for small to very large scale hotels
- Easily replaces existing mechanical or electronic door locks throughout a facility
- Access control for guest rooms, common areas as well as back-of-house

Security Features

- High security and tamper-proof design
- 1" solid deadbolt (optional auto deadbolt)
- Staff monitoring - Keycard audits (RFID and smartcard)
- Emergency access: Emergency keycard, mechanical key

Low Maintenance

- Operates with a completely sealed contactless reader (RFID only)
- Batteries last up to 2 years
- Low battery indicator alerts staff
- Lock programming and audit are not erased during battery replacement
- Wear resistant construction and finish

Access Management Software


The RT lock is supported by dormakaba's robust access management software solution that features an array of access control workflows for both guest and staff access. Optionally, choose dormakaba's online access management solution for superior control and monitoring.



Saflok RT RFID

Lock Overview

Mechanical Features

Description	Heavy duty electronic lockset (mortise or cylindrical) with clutch mechanism and built-in contactless RFID reader	
Handing	Left or Right factory handed mortise, field reversible handing (lever and mortise)	
Lever	ADA compliant, outside lever free to rotate upward and downward in locked mode Lever clearance (space from end of lever to door) Long Lever 3/8" (9.5mm) Short Lever 2" (51mm) Elevon & Gala Levers 2 1/2" (58mm)	
Concealed Key Override (optional)	- Saflok KIK Core (keyed-alike, master keyed, recodable) - Best Small IC Adaptor	
Deadbolt	1" (25 mm) (for ASM mortise) or 2 1.4 mm (for ESM Mortise) solid metal, projected by inside thumbturn and retracted with the latch by the interior handle, emergency override or specific staff keycards. Optional auto deadbolt available	
Door Thickness	From 1 3/8" to 2 1/2" (35mm to 66mm)	
Shipping Weight	8.5 lbs (3.8 kg)	
Housing Construction	Cast zinc alloy (outside housing levers and thumbturn), stainless steel inside housing	
Standard Finishes	Satin chrome, satin brass and supreme finish for ocean front applications	
Standard Backset	2 3/4" (70mm) backset, 2 3/8" (60mm) backset also available for cylindrical lock	
Locking Options	ANSI lock case with 1 1/4" or 1" lock front mortise Optional automatic deadbolt European lock case mortise (20 x 165 mm) with round (20 or 23 x 235 mm) or square (20 x 235 mm) lock front mortise	
Online Configurations	Messenger Ready	DAJ mortise (ANSI lock case) Standard (stand alone) inside escutcheon
	Messenger Online	Lock controller board with Messenger capability DAJ mortise (ANSI lock case) Inside escutcheon equipped with Messenger module

Mobile Access Options

BLE ready	Upgradable to BLE with BLE module
BLE enabled	End cap with BLE module included, no further upgrades needed

Batteries

Alkaline - Three AA battery pack	Battery life is up to 3 years Low battery indicator: alerts staff that batteries need to be changed soon
----------------------------------	---

Saflok RT RFID

Lock Overview

Lock Operation

Date/time stamp	Real time; date and hours/minutes
Interrogation	Obtain key usage reports from the lock by using a handheld unit at the door, or increase efficiency by performing a remote Interrogation using Messenger (optional)
Pre-registered keycards	Keys can be made up to ten days in advance without cancelling current or arriving guests
Keycard Expiration	Configurable expiration dates; can be automatically set for check out date or manually applied when making key during check in process
Passage mode	Set by authorized keycard or Messenger system. Can also be configured to perform an automated/pre-defined passage mode time.
Lockout mode	Set by authorized keycard or Messenger system
Keycards accepted	MIFARE Classic keycards (4 byte NUID)
Feedback	Light indicators in reader
Diagnostics	Light indicators and handheld display
Audit Trail	Up to 4,000 events
Privacy override	Emergency keycards
Disability Feature	RCU readers interface with automatic power operated doors for special openings

Certifications and Testing

Accessibility standard	Complies with ADA standards 2010 for accessible design
BHMA/ANSI	Certified to be compliant with Grade One performance tests for "ANSI/BHMA A156.13 Standard for Mortise Locks and Latches," and "ANSI/BHMA A156.25 Standard for Electrified Locking Devices." (Only locks tested and approved by non-biased third-party test lab are allowed in the "BHMA Certified Products Directory" found at www.buildershardware.com)
Fire Rating	Listed for pre-prepared manufactured doors and certified for retrofitting on existing doors by Underwriters Laboratories for use on fire doors having up to a three-hour rating. U.L. Certification: "Accessories for Single-point Locks and Latches and Fire Exit Hardware." Evaluated in accordance with UL 10B and UL 10C. U.L. Listing: "Electrically Controlled Singlepoint Locks and Latches."
Electronics	FCC Part 15 Class A and Complies with CE Radio Equipment Directive 2014/53/EU
Environmental operating conditions	-31°F to 151°F (-35°C to 66°C) 0% to 85% non-condensing humidity at 86°F (30°C) conditions
Florida Building Code	Approved in the exterior door category (exterior door components). Code of approval is FL13061

Warranty

Standard Factory Warranty	2 years
Support Programs	dormakaba Service Plans (Platinum, Gold, Silver)

Saflok RT RFID

Lock Overview

Special Order Instructions

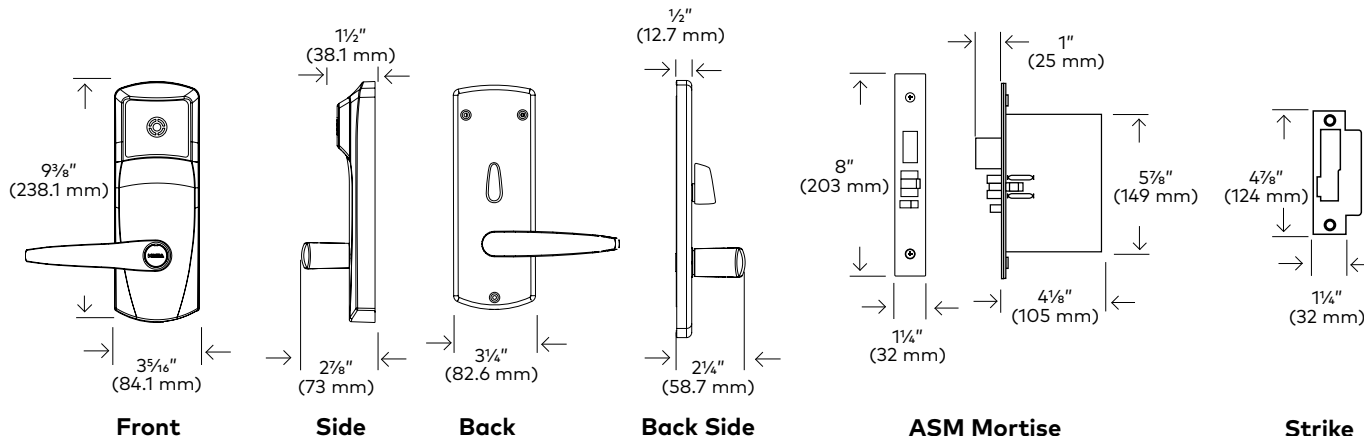
Model Number	Description	Notes
79N	Escape Return	Required for Norway. Inside housing equipped with lever switch. Lock is programmed with a specific relock time (after entrance and egress) based on property. To lock door immediately valid card pressed to reader Messenger and Messenger not available
79SE	Openways Ready	Front lock housing with connector for Openways module. Attachment plate for Openways module provided (stainless steel) Openways module shipped separately.
79V	Special Messenger Ready	Inside housing provided with plastic housing for Messenger Module Messenger Module shipped separately.
79S5	Shabbat Lock	Switches removed from privacy and key override. Order master keyed cylinders separately. Add "-I" to end of item number if customer wants Privacy.
79S3	Dummy Trim	No lock mechanics or electronics Not available with K-levers Enter "00" for no locking mechanism (inside and outside trims only)

Functionality and Configurations

Guestroom (F15)	Mortise (ANSI or Slim) with Deadbolt (standard or automatic). Privacy activated by thumbturn.	Standalone	No upgrade path to Online
		Messenger ready	Outside escutcheon equipped with connector for Messenger communications board. Order DAJ mortise (where available). To upgrade to online, inside escutcheon is swapped for one with Messenger Communications board.
		Online	Outside escutcheon equipped with connector for Messenger communications board. Order DAJ mortise (where available). Inside escutcheon is equipped with Messenger communications board.
Utility (F21 or F07)	Mortise (ANSI or Slim) without Deadbolt or cylindrical latch. Privacy (activated by thumbturn) can be deactivated for closet and common areas.	Standalone	No upgrade path to Online
		Messenger ready	Outside escutcheon equipped with connector for Messenger communications board. Order DAJ mortise (where available). To upgrade to online, inside escutcheon is swapped for one with Messenger Communications board.
		Online	Outside escutcheon equipped with connector for Messenger communications board. Order DAJ mortise (where available). Inside escutcheon is equipped with Messenger communications board.
Panic Bar Trim	Outside escutcheon equipped with adaptor plate for connection to panic bar. Rim panic bar can be provided in a kit.	Standalone	No upgrade path to Online
		Messenger ready	Outside escutcheon equipped with connector for Messenger communications board. To upgrade to online, Messenger Communications board in housing must be connected and attached to door above panic bar.
		Online	Outside escutcheon equipped with connector for Messenger communications board (included). Messenger Communications board in housing must be connected and attached to door above panic bar.

Saflok RT RFID

Ordering RT Series (American Steel Mortise-ASM Lock 1 1/4" Mortise)



Standard Model (Example)															
7	9	S	0	1	0	1	1	E	L	3	0	-	6	2	6
Model		Locking Device		Application		Lever Type		Override	Handing	Version	Bluetooth		Finish		

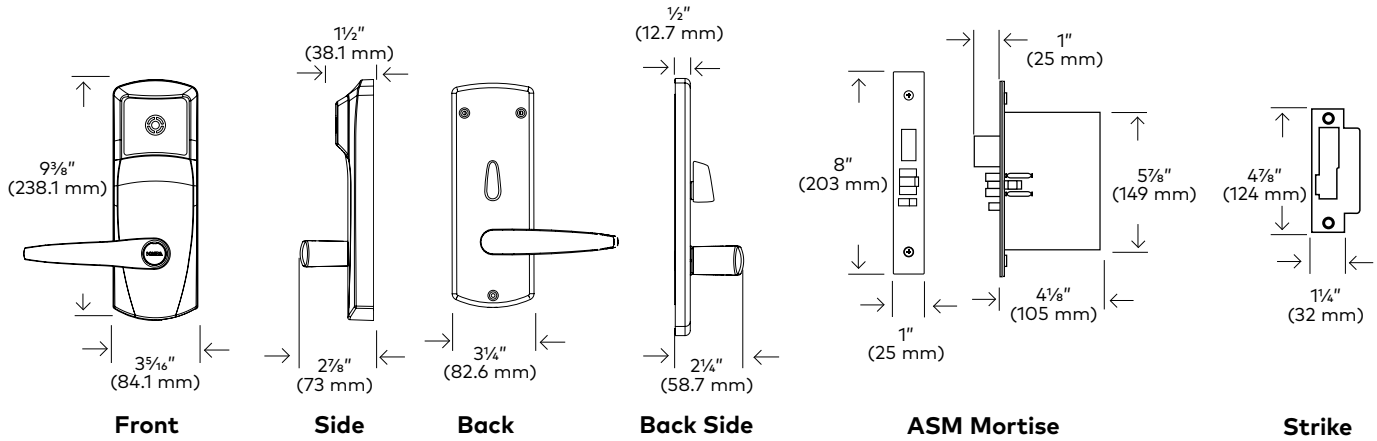
Build the model number with the desired options															
7	9								3		-				
Model		Locking Device		Application		Lever Type		Override	Handing	Version	Bluetooth		Finish		

Model	Locking Device	Application	Lever Type	Override	Handing	Version	Bluetooth	Finishes
Guestroom 79S0 Standalone 79Z0 Messenger Online 79Y0 Europe, Asia 79Q0 International 79N0 Escape Return 790W0 Inncom RF 79S4/79Z4/79Y4 79Q4/79N4 Demo Lock 790W4 Inncom RF demo	2 3/4" (70 mm) Backset 10 ASM, with 1/4" (32 mm) face plate, field reversible handing 16 Auto Deadbolt ASM with 1/4" (32 mm) face plate, field reversible handing 60 ASM DAJ with 1/4" (32 mm) face palte, field reversible handing 66 Auto Deadbolt ASM DAJ with 1/4" (32 mm) face plate, field reversible handing	1 Interior 2 Exterior locks supplied with gasket for outside escutcheon	1 Long/Long Front Back 2 Short/Short*** Front Back E Elevon Lever Front Back G Gala Lever Front Back	E Electronic K Mechanical key cylindrical Lori universal (1539) key-in-knob OR Mechanical recodable key cylinder Must specify on lock order which type of key cylinder is required	L Left or Right reverse (Y) R Right or Left reverse (X) F*** Dual Handed (L & R), Left Hand Reverse, Right Hand Reverse (X & Y)	3 Contactless Reader	0 No BLE 1 BLE Ready 2 BLE Enabled H BLE Hilton (only for Hilton properties)	626 Satin Chrome 606 Satin Brass U26 Ultra Satin Chrome
Utility 79S1 Standalone 79R1 Messenger Ready 79Z1 Messenger Online 79Y1 Europe, Asia 79Q1 International 790W1 Inncom RF	12 ASM, with 1/4" (32 mm) face plate, field reversible handing 62 ASM, DAJ, no deadbolt with 1-1/4" (32 mm) face plate, field reversible handing. Thumbturn is on inside escutcheon for privacy but can be disabled		8 Long/Long Inside at 45° Front Back H Short/Short*** Inside at 45° Front Back					

Note: * For doors greater than 2 1/2" (63 mm) order a thick door kit in Lock Accessories Miscellaneous section.
 ** Use short return levers when moldings are within 4 1/2" (11cm) and 8" (20.32cm) from the edge of the door
 *** Locks are assembled "Right-Hand" and may be field reversed for Left-Hand doors.

Saflok RT RFID

Ordering RT Series (American Steel Mortise-ASM Lock 1" Mortise)



Standard Model (Example)															
7	9	S	0	1	1	1	1	E	L	3	0	-	6	2	6
Model		Locking Device		Application	Lever Type	Override	Handing	Version	Bluetooth	Finish					

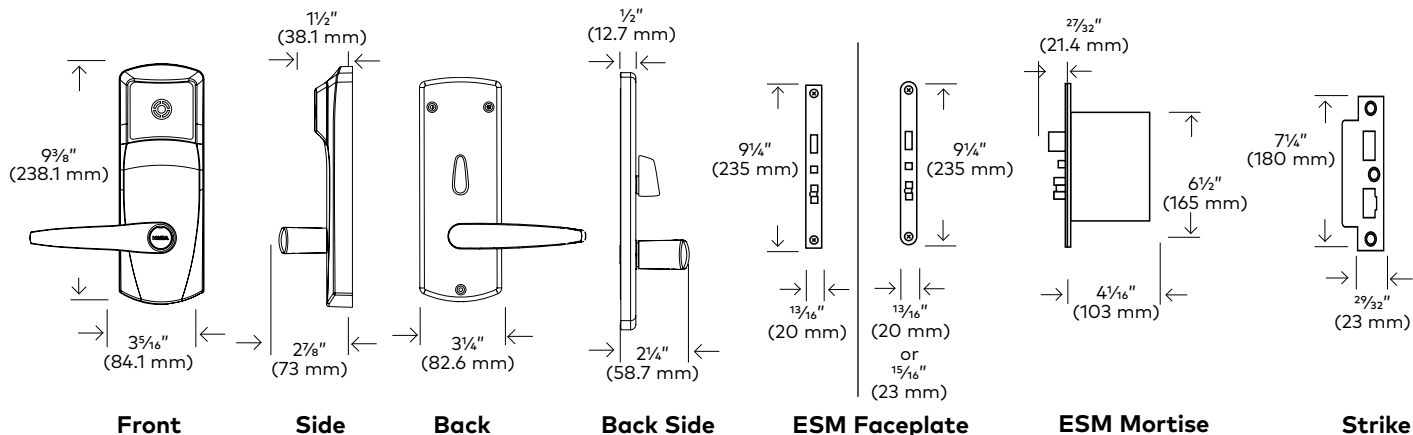
Build the model number with the desired options														
7	9								3		-			
Model		Locking Device		Application	Lever Type	Override	Handing	Version	Bluetooth	Finish				

Model	Locking Device	Application	Lever Type	Override	Handing	Version	Bluetooth	Finishes
Guestroom 79S0 Standalone 79R0 Messenger Online Ready 79Z0 Messenger Online 79Y0 Europe, Asia 79Q0 International 79N0 Escape Return 790W0 Incom RF	2 3/4" (70 mm) Backset 11 ASM, with 1" (25 mm) face plate, NOT field reversible 17 Auto Deadbolt ASM with 1" (25 mm) face plate, NOT field reversible 61 ASM DAJ with 1" (25 mm) face palte, NOT field reversible handing 67 Auto Deadbolt ASM DAJ with 1" (25 mm) face plate, field reversible handing	1 Interior 2 Exterior locks supplied with gasket for outside escutcheon	1 Long/Long Front Back 2 Short/Short*** Front Back E Elevon Lever Front Back G Gala Lever Front Back 8 Long/Long Inside at 45° Front Back H Short/Short*** Inside at 45° Front Back	E Electronic K Mechanical key cylindrical Lori universal (1539) key-in-knob OR Mechanical recodable key cylinder Must specify on lock order which type of key cylinder is required	L Left or Right reverse (Y) R Right or Left reverse (X) F*** Dual Handed (L & R), Left Hand Reverse, Right Hand Reverse (X & Y)	3 Contactless Reader	0 No BLE 1 BLE Ready 2 BLE Enabled H BLE Hilton (only for Hilton properties)	626 Satin Chrome 606 Satin Brass U26 Ultra Satin Chrome
Utility 79S1 Standalone 79R1 Messenger Ready 79Z1 Messenger Online 79Y1 Europe, Asia 79Q1 International 790W1 Incom RF	13 ASM, no deadbolt with 1" (25 mm) face plate, NOT field reversible handing. Thumbturn is on inside escutcheon for privacy but can be disabled 63 ASM, DAJ, no deadbolt with 1" (25 mm) face plate, NOT field reversible handing. Thumbturn is on inside escutcheon for privacy but can be disabled							

Note: * For doors greater than 2-1/2" (63 mm) order a thick door kit in Lock Accessories Miscellaneous section.
 ** Use short return levers when moldings are within 4-1/2" (11cm) and 8" (20.32cm) from the edge of the door
 *** Locks are assembled "Right-Hand" and may be field reversed for Left-Hand doors.
 Messenger locks should be configured with DAJ mortise. Some listed lever options are not available in all finishes

Saflok RT RFID

Ordering RT Series (Slim Mortise-ESM Lock)



Standard Model (Example)															
7	9	S	0	1	0	1	1	E	L	3	0	-	6	2	6
Model		Locking Device		Application	Lever Type		Override	Handing	Version	Bluetooth	Finish				

Build the model number with the desired options															
7	9								3		-				
Model		Locking Device		Application	Lever Type		Override	Handing	Version	Bluetooth	Finish				

Model	Locking Device	Application	Lever Type	Override	Handing	Version	Bluetooth	Finishes
Guestroom 79S0 Standalone 79R0 Messenger Online Ready 79Z0 Messenger Online 79Y0 Europe, Asia 79Q0 International 79N0 Escape Return 790W0 Inncom RF	2 3/4" (70 mm) Backset 00 No locking mechanism, no strike 30 ESM, with no face plate, field reversible handing 13 ESM, with no face plate, field reversible handing. Thumbturn is on inside escutcheon for privacy but can be disabled	1 Interior 2 Exterior locks supplied with gasket for outside escutcheon	1 Long/Long Front Back 2 Short/Short*** Front Back E Elevon Lever Front Back G Gala Lever Front Back 8 Long/Long Inside at 45° Front Back H Short/Short*** Inside at 45° Front Back	E Electronic K Mechanical key cylindrical Lori universal (1539) key-in-knob OR Mechanical recodable key cylinder Must specify on lock order which type of key cylinder is required	L Left or Right reverse (Y) R Right or Left reverse (X) F*** Dual Handed (L & R), Left Hand Reverse, Right Hand Reverse (X & Y)	3 Contactless Reader	0 No BLE 1 BLE Ready 2 BLE Enabled H BLE Hilton (only for Hilton properties)	626 Satin Chrome 606 Satin Brass U26 Ultra Satin Chrome
Utility 79S1 Standalone 79R1 Messenger Ready 79Z1 Messenger Online 79Y1 Europe, Asia 79Q1 International 790W1 Inncom RF								

*****ESM Faceplate and Strike - Handing**

Mortise face plates are not included with Slim Mortise. To order see below.

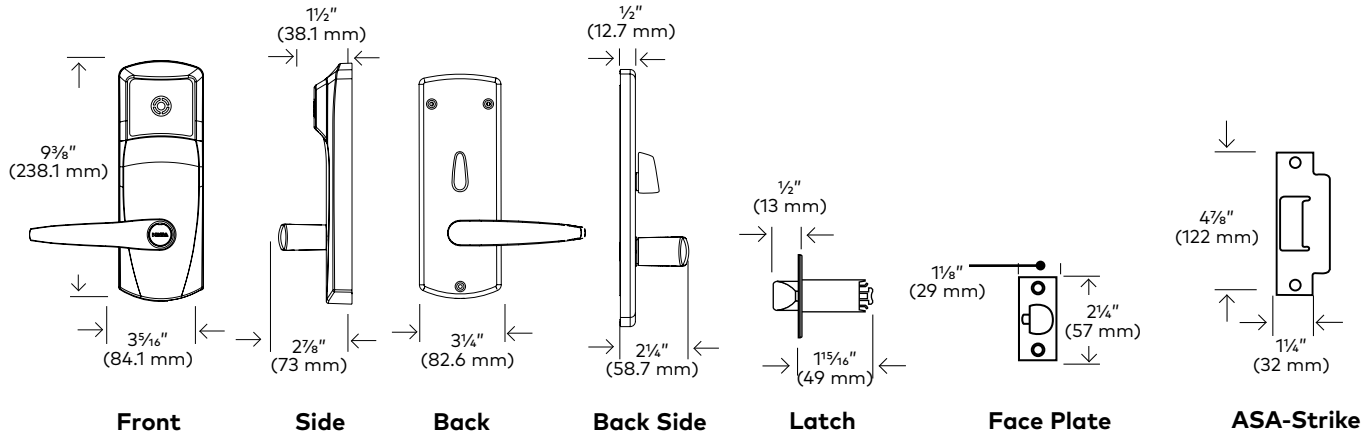
1 3/16" (20 mm) round face plate with deadbolt cutout	128-508593-D630
without deadbolt cutout	128-508593-O630
2 9/32" (23 mm) round face plate with deadbolt cutout	128-508595-D630
without deadbolt cutout	128-508595-O630
1 3/16" (20 mm) square face plate with deadbolt cutout	128-508594-D630
without deadbolt cutout	128-508594-O630
7 1/4" (180 mm) Strike with deadbolt Universal	041-510141-630K

Note: Gala and Elevon lever only available with electronic override

Note: * For doors greater than 2 1/2" (63 mm) order a thick door kit in Lock Accessories Miscellaneous section.
 ** Use short return levers when moldings are within 4 1/2" (11cm) and 8" (20.32cm) from the edge of the door
 *** Locks are assembled "Right-Hand" and may be field reversed for Left-Hand doors.
 Messenger locks should be configured with DAJ mortise. Some listed lever options are not available in all finishes

Saflok RT RFID

Ordering RT Series (Cylindrical Lock^{***})



Standard Model (Example)															
7	9	S	1	5	0	2	1	E	F	3	0	-	6	2	6
Model				Locking Device			Lever Type	Override	Handing	Version	Bluetooth		Finish		

Build the model number with the desired options															
7	9					2			F	3		-			
Model				Locking Device			Lever Type	Override	Handing	Version	Bluetooth		Finish		

Model	Locking Device		Lever Type	Override	Handing	Version	Bluetooth	Finishes
Utility	2 3/4" (70 mm) Backset							
79S1 Standalone	50 2 3/4" (70 mm) Backset with 1/2" (13 mm) latch. Thumbturn is on inside escutcheon for privacy but can be disabled	2 Exterior locks supplied with gasket for outside escutcheon	1 Long/Long Front Back	E Electronic	F Dual Handing left hand, right hand (L & R), Left Hand Reverse, Right Hand Reverse (X & Y) (Assembled RH)	3 Contactless Reader	0 No BLE	626 Satin Chrome
79R1 Messenger Ready	54 2 3/8" (60 mm) Backset with 1/2" (13 mm) latch. Thumbturn is on inside escutcheon for privacy but can be disabled		2 Short/Short ^{***} Front Back	K Mechanical key cylindrical Lori universal (1539) key-in-knob OR Mechanical recodable key cylinder Must specify on lock order which type of key cylinder is required			1 BLE Ready	606 Satin Brass
79Z1 Messenger Online							2 BLE Enabled	U26 Ultra Satin Chrome
79Y1 Europe, Asia			E Elevon Lever Front Back				H BLE Hilton (only for Hilton properties)	
79Q1 International			G Gala Lever Front Back					
790W1 Inncom RF								

Note: * For doors greater than 2 1/2" (63 mm) order a thick door kit in Lock Accessories Miscellaneous section.
 ** Use short return levers when moldings are within 4 1/2" (11cm) and 8" (20.32cm) from the edge of the door
 *** Locks are assembled "Right-Hand" and may be field reversed for Left-Hand doors.
 Messenger locks should be configured with DAJ mortise. Some listed lever options are not available in all finishes

Saflok MT Series

Lock Overview

The Saflok MT Series is a full-body electronic lock that offers either magstripe or RFID card reader technology to enhance guest convenience and improve operational efficiency. Ideal for retrofits, these locks work with Saflok access management software.

Mobile Access

The MT RFID is Bluetooth Low Energy (BLE) capable and can operate using the dormakaba Mobile Access Solutions.

Applications

- Suitable for small to very large scale hotels
- Easily replaces existing mechanical or electronic door locks throughout a facility
- Access control for guest rooms, common areas as well as back-of-the-house

Security Features

- High security and tamper-proof design
- 1" solid deadbolt (optional auto deadbolt)
- Staff monitoring - Keycard audits (RFID and smartcard)

Low Maintenance

- Batteries last up to 2 years
- Low battery indicator alerts staff
- Lock programming and audit are not erased during battery replacement
- Wear resistant construction and finish

Access Management Software


The MT series locks is supported by dormakaba's robust access management software solution that features an array of access control workflows for both guest and staff access. Optionally, choose dormakaba's online access management solution for superior control and monitoring.



Saflok MT Series

Overview

Mechanical Features

Description	Electronic mortise lockset with 1" (25.4mm) throw deadbolt and 5/8" (15.9mm) dead-locking latch bolt
Handing	Factory-handed mortise (left, right, left reverse, right reverse)
Lever	
Deadbolt	1" (25.4mm) throw deadbolt and 5/8" (15.9mm) dead-locking latch bolt
Door Thickness	1 3/4" (44.5mm) to 2 1/8" (53.98mm) for standard product
Shipping Weight	Approx. 8.0 lbs with hardware
Housing Construction	Escutcheons: brass or stainless steel Levers: brass, zinc, or stainless steel
Standard Finishes	Bright chrome, bright brass, satin chrome, satin brass, dark mahogany
Inside Trim Options	MT inside escutcheon
Standard Backset	2 3/4" (70mm) backset, 2 3/8" (60mm) backset also available for cylindrical lock
Locking Options	ANSI lock case with 1 1/4" or 1" lock front mortise. Options: automatic deadbolt, door ajar, MKO European lock case mortise (20 x 165 mm) with 20 x 233 mm lock front mortise
Online Configurations	Messenger Ready: DAJ mortise (ANSI lock case) Standard (stand alone) inside escutcheon Messenger Online: Lock controller board with Messenger capability DAJ mortise (ANSI lock case) Inside escutcheon equipped with Messenger module
Mobile Access Options (MT RFID)	BLE compatible (Standard): upgradable to BLE by adding end cap and BLE module BLE ready: upgradable to BLE by adding BLE module BLE enabled: BLE module included, no further upgrades needed

Certifications and Testing

Accessibility standard	ADA compliant levers (Code of Federal Regulations 28 CFR Part 36 – 1994 "ADA Standards for Accessible Design")
Fire rating	Listed for pre-prepared manufactured doors and certified for retrofitting on existing doors by Underwriters Laboratories for use on fire doors having up to a three-hour rating. U.L. Certification: GWVW.R12071 "Accessories for Single-point Locks and Latches and Fire Exit Hardware." Evaluated in accordance with UL 10B and UL 10C. a. U.L. Listing: GYQS.R11247 "Electrically Controlled Single-point Locks and Latches." Evaluated in accordance b. with UL 10B and UL 10C. c. Also classified in accordance with Uniform Building Code Standard 7-2, "Fire Test of Door Assemblies" (1997)
BHMA/ANSI	Certified to be compliant with Grade 1 performance tests for "ANSI/BHMA A156.13 - 2012 "American National Standard for Mortise Locks and Latches," and "ANSI/BHMA A156.25 - 2013 "American National Standard for Electrified Locking Devices." (Only locks tested and approved by nonbiased third-party test lab are allowed in the "BHMA Certified Products Directory" found at www.buildershardware.com)
Electronics	MT Magstripe: FCC Part 15 Class A and CE Directive 2014/30/EU compliant MT RFID: FCC Part 15 Class A and CE Directive 2014/53/EU compliant
Environmental operating conditions	Indoor side: 32°F to 151°F (0°C to 66°C) Outdoor side: -31°F to 151°F (-35°C to 66°C) 0% to 85% non-condensing humidity at 86°F (30°C)

Saflok MT Series

Overview

Warranty

Warranty	2 years
----------	---------

Batteries

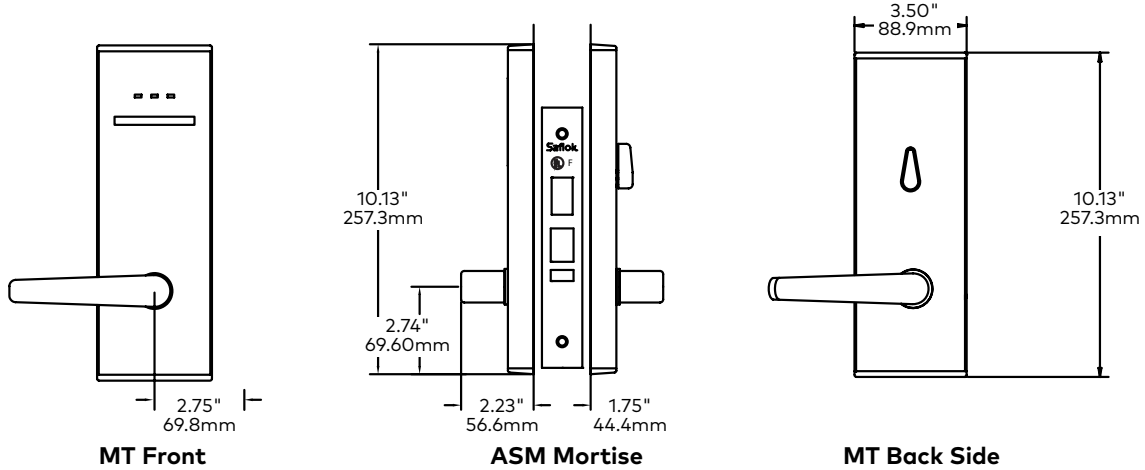
Alkaline	4 AA batteries for up to 2 years. Low battery LED signal alerts user that batteries need to be changed soon
----------	---

Lock Operation

Date/time stamp	Real time; date and hours/minutes
Interrogation	Obtain key usage reports from the lock by using a handheld unit at the door, or increase efficiency by performing a remote Interrogation using Messenger (optional)
Pre-registered keycards	Keys can be made up to ten days in advance without cancelling current or arriving guests
Key expiry	Configurable expiration dates; can be automatically set for check out date or manually applied when making key during check in process.
Passage mode	Set by authorized keycard or Messenger system. Can also be configured to perform an automated / pre-defined passage mode time.
Lockout mode	Set by authorized credential or the Messenger™ System
Keycards accepted	MT Magstripe: Magstripe and smartcard keycards MT RFID: Mifare Classic (4 byte NUID), Mifare Plus and Mifare Ultralight C keycards
Feedback	Light indicators in reader
Diagnostics	Light indicators and handheld display
Audit memory	Up to 4,000 events
Privacy override	Emergency keycards
Disability Feature	RCU readers interface with automatic power operated doors for special openings

Saflok MT Series (Magstripe)

Ordering



Standard Model (Example) (Continue building the model number to the right)

Model	Version	Locking Mechanism		Communication		Application	Lever		Handing
M T	1	1	1	N	N	O	A	O	L
		Mortise	Faceplate	Primary	Secondary		Type	Position	

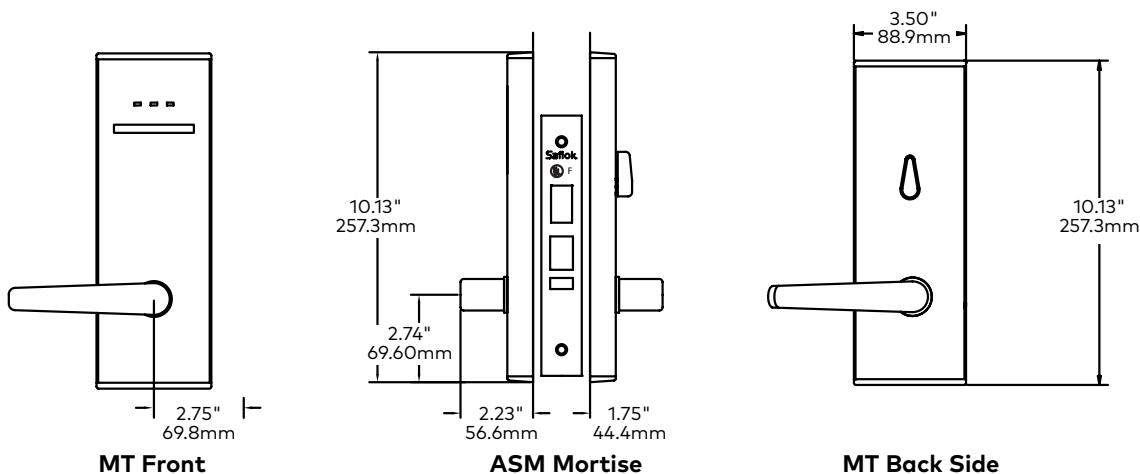
Build the model number with the desired options (Continue building the model number to the right)

Model	Version	Locking Mechanism		Communication		Application	Lever		Handing
M T	1								
		Mortise	Faceplate	Primary	Secondary		Type	Position	

Style	Version	Locking Mechanism		Communication		Application	Lever		Handing
		Mortise	Faceplate	Primary	Secondary		Type	Position	
MT MT Card	1	ASM:	ASM:	N	N	O Interior E Exterior	A Arc C Continental E Elevon G Gala K Regal Knob P Apogee T Troy	O Standard 1 Vert I/S 2 Vert O/S 3 Vert I/S & O/S	L Left Hand R Right Hand X Left Hand Reverse Y Right Hand Reverse
		1 Standard	1 1 1/4" (32 mm)	X Primary Ready	No Secondary				
		2 ADB	2 1" (25 mm)	A Zigbee North America (158mW)					
		3 Utility	Dummy:	B Zigbee Europe / Asia (10mW)					
		4 Standard DAJ	D Dummy (no faceplate)	C Zigbee International (87mW)					
		5 ADB DAJ	ESM:	D Inncom RF					
		6 Utility DAJ	A 20mm	E Crestron					
		7 Utility ADB	B 23mm	F Telkonet					
		8 Utility ADB DAJ							
		9 NDB							
		A NDB Utility							
		B NDB DAJ							
		C NDB UTL DAJ							
		Dummy:							
		D Dummy							
ESM:									
G Euro									
H Euro Utility									

Saflok MT Series (Magstripe)

Ordering



Standard Model (Example) (Continued)

Door Size				Optional Adjustment			Finish	
A	N	O	O	O	O	O	B	B
Thickness	Offset	Outside	Inside	Special Hardware/Functionality	Packout			

Build the model number with the desired options (Continued)

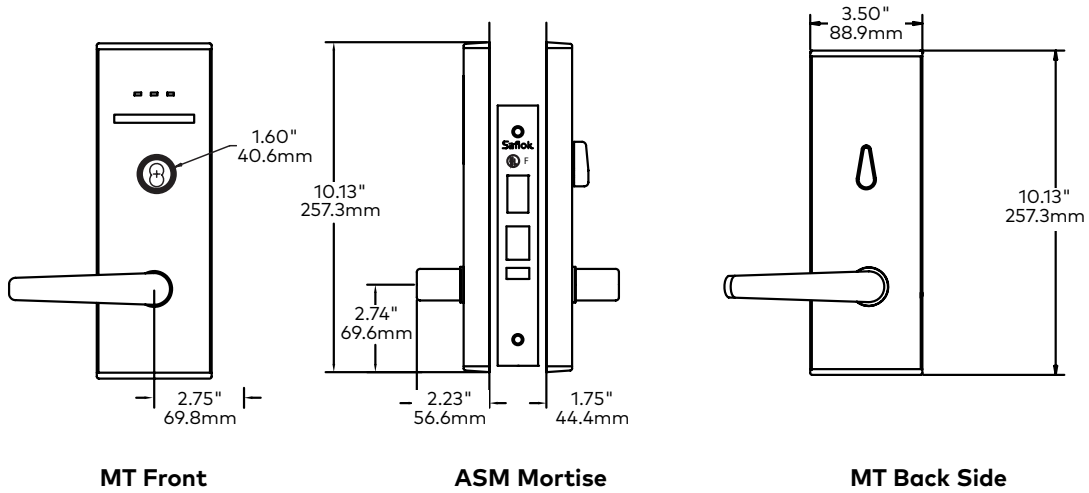
Door Size				Optional Adjustment			Finish	
<input type="checkbox"/>	N	<input type="checkbox"/>	O	<input type="checkbox"/>	<input type="checkbox"/>	<input type="checkbox"/>	<input type="checkbox"/>	<input type="checkbox"/>
Thickness	Offset	Outside	Inside	Special Hardware/Functionality	Packout			

Door Size		Optional Adjustment		Finish		
Thickness	Offset	Outside	Inside	Special Hardware/Functionality	Packout	Finish
A 1.75" (44mm)	N No Offset	O Standard	O Standard	O Standard	O Standard	BB Bright Brass
B* 1.38" (35-40mm)		E Vintage Housing		B Tamper Switch	A Custom Strike	BC Bright Chrome
C 2.00" (51mm)				M Dummy w/ Messenger Cap	B Ocean Shipment	BK Black
D 2.25" (57mm)					C Ocean/Custom Strike	OZ Dark Mahogany
E 2.38" (60mm)					D Ocean/Australia Strike	SC Satin Chrome
F 2.50" (63.5mm)					E Demo Lock*	SN Satin Nickel
G 2.87"-3.00" (73-76mm)						SB Satin Brass
H 3.03" (77mm)						*Knob only available in BB, BS, SB, SS
J 3.35" (85mm)						** Continental not available in SN
K 3.90" (100mm)						***Only SC, BC, OZ, and BK approved for exterior application

Note: * 1" Faceplate required for 1.38" (35-40mm) door size
 Messenger locks should be configured with DAJ mortise.
 Some listed lever options are not available in all finishes

Saflok MT Mechanical Key Override (MKO)

Ordering



Standard Model (Example) (Continue building the model number to the right)

Model	Version	Locking Mechanism	Communication	Application	Lever	Handing		
M T	1	M	1	N N	O	A	O	L
		Mortise	Faceplate/Cylinder	Primary	Secondary	Type	Position	

Build the model number with the desired options (Continue building the model number to the right)

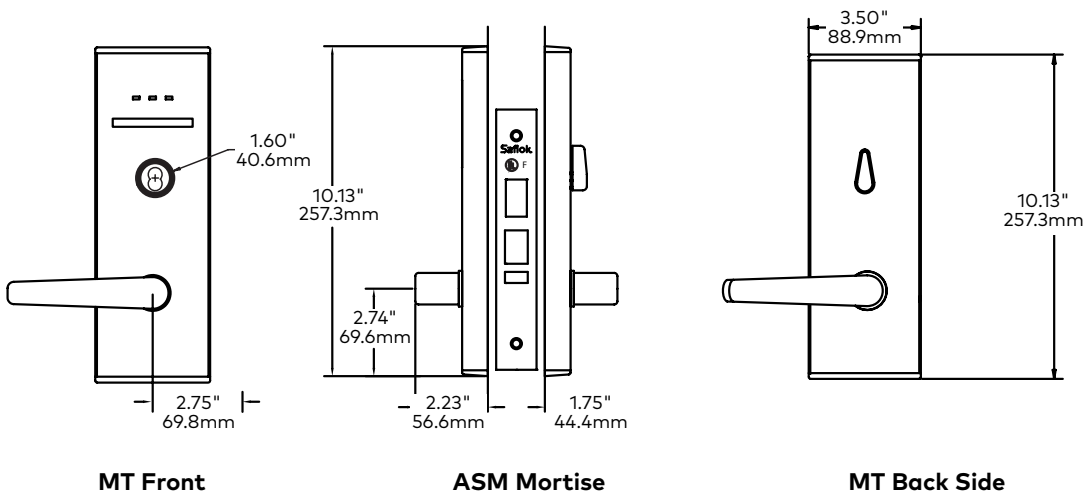
Model	Version	Locking Mechanism	Communication	Application	Lever	Handing		
M T	1			N				
		Mortise	Faceplate/Cylinder	Primary	Secondary	Type	Position	

Style	Version	Locking Mechanism		Communication		Application	Lever		Handing	
		Mortise	Faceplate/Cylinder	Primary	Secondary		Type	Position		
MT MT Card	1	M	1	N	N	O Interior E Exterior	A	O	L Left Hand R Right Hand X Left Hand Reverse Y Right Hand Reverse	
		MKO	1-1/4" (32mm)	No Primary	No Secondary		Arc	Standard		
		N	No Cylinder	X			Continental	1		Vert I/S
		MKO UTL	3	Primary Ready			Elevon	2		Vert O/S
		P	1-1/4" (32mm)	A			Gala	3		Vert I/S & O/S
		MKO NDB	Non SFIC Keyed Differently	Zigbee North America (158mW)			Regal Knob			
		R	5	B			K			
		MKO NDB UTL	1-1/4" (32mm) Non SFIC Keyed Alike	Zigbee Europe / Asia (10mW)			Apogee			
		S	7**	C			T			
		CON MKO	1-1/4" (32mm) SFIC	Zigbee International (87mW)			Troy			
		T	2	D						
		CON MKO UTL	1" (25mm) No Cylinder	Inncom RF						
		U	4	E						
CON MKO NDB	1" (25mm) Non SFIC Keyed Differently	Crestron								
V	6	F								
CON MKO NDB UTL	1" (25mm) Non SFIC Keyed Alike	Telkonet								
	8**									
	1" (25mm) SFIC									

Note: * 1" Faceplate required for 1.38" (35-40mm) door size
 **SFIC does not include core
 Some listed lever options are not available in all finishes

Saflok MT Mechanical Key Override (MKO)

Ordering



Standard Model (Example) (Continued)

Door Size		Optional Adjustment				Finish	
A	N	O	O	O	O	B	B
Thickness	Offset	Outside	Inside	Special Hardware/Functionality	Packout		

Build the model number with the desired options (Continued)

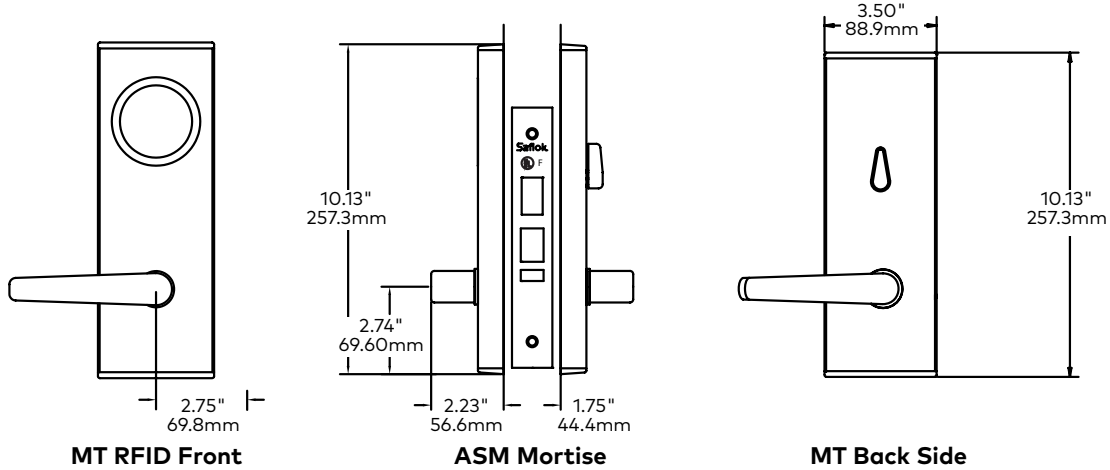
Door Size		Optional Adjustment				Finish	
<input type="checkbox"/>	N	O	O	<input type="checkbox"/>	<input type="checkbox"/>	<input type="checkbox"/>	<input type="checkbox"/>
Thickness	Offset	Outside	Inside	Special Hardware/Functionality	Packout		

Door Size		Optional Adjustment				Finish	
Thickness	Offset	Outside	Inside	Special Hardware/Functionality	Packout		
A 1.75" (44mm)	N No Offset	O Standard	O Standard	O Standard	O Standard	BB Bright Brass	
B* 1.38" (35-40mm)				B Tamper Switch	A Custom Strike	BC Bright Chrome	
C 2.00" (51mm)					B Ocean Shipment	BK Black	
D 2.25" (57mm)					C Ocean/Custom Strike	OZ Dark Mahogany	
E 2.38" (60mm)					D Ocean/Australia Strike	SC Satin Chrome	
F 2.50" (63.5mm)					E Demo Lock*	SN Satin Nickel	
G 2.87"-3.00" (73-76mm)					Demo lock only available in 1-3/4 RH Door. Demo only with KD cylinder	SB Satin Brass	
H 3.03" (77mm)						*Knob only available in BB, BS, SB, SS	
J 3.35" (85mm)						** Continental not available in SN	
K 3.90" (100mm)						***Only SC, BC, OZ, and BK approved for exterior application	

Note: * 1" Faceplate required for 1.38" (35-40mm) door size
 Some listed lever options are not available in all finishes

Saflok MT Series (RFID)

Ordering



Standard Model (Example) (Continue building the model number to the right)

Model	Version	Locking Mechanism		Communication		Application	Lever		Handing
M R	1	1	1	N	A	O	A	O	L
		Mortise	Faceplate	Primary	Secondary		Type	Position	

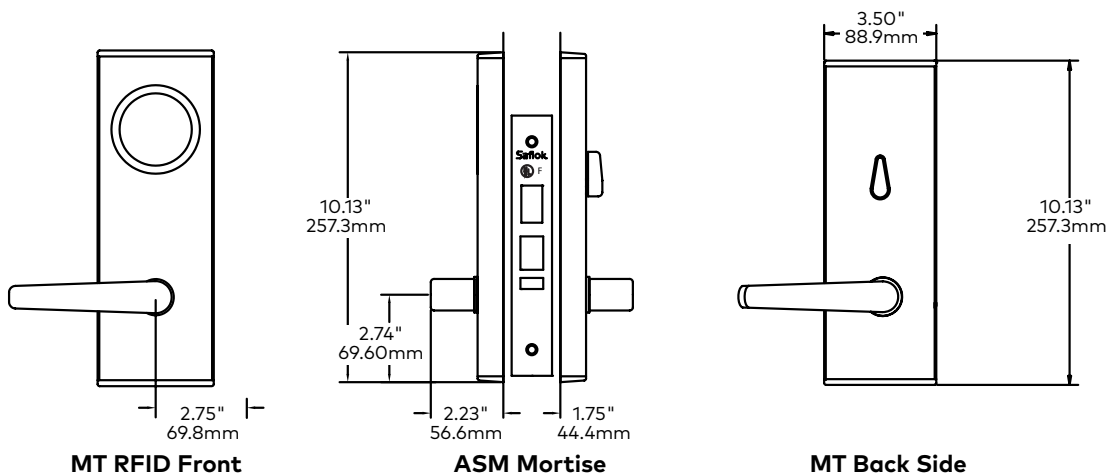
Build the model number with the desired options (Continue building the model number to the right)

Model	Version	Locking Mechanism		Communication		Application	Lever		Handing
M R	1								
		Mortise	Faceplate	Primary	Secondary		Type	Position	

Style	Version	Locking Mechanism		Communication		Application	Lever		Handing
		Mortise	Faceplate	Primary	Secondary		Type	Position	
MR MT RFID	1	ASM: 1 Standard 2 ADB 3 Utility 4 Standard DAJ 5 ADB DAJ 6 Utility DAJ 7 Utility ADB 8 Utility ADB DAJ 9 NDB A NDB Utility B NDB DAJ C NDB UTL DAJ Dummy: D Dummy ESM: G Euro H Euro Utility	ASM: 1 1 1/4" (32 mm) 2 1" (25 mm) Dummy: D Dummy (no faceplate) ESM: A 20mm B 23mm	N No Primary X Primary Ready A Zigbee North America (158mW) B Zigbee Europe/Asia (10mW) C Zigbee International (87mW) D Inncom RF E Crestron F Telkonet	A BLE Compatible B BLE Ready C BLE Enabled D Hilton BLE* G BLE Mod Bracket H Hilton BLE Mod Bracket* Dummy: N No Secondary (for Dummy Only) * Hilton BLE (only for Hilton properties)	O Interior E Exterior	A Arc C Continental E Elevon G Gala K Regal Knob P Apogee T Troy	O Standard 1 Vert I/S 2 Vert O/S 3 Vert I/S & O/S	L Left Hand R Right Hand X Left Hand Reverse Y Right Hand Reverse

Saflok MT Series (RFID)

Ordering



Standard Model (Example) (Continued)

Door Size				Optional Adjustment		Finish	
A	N	O	O	O	O	B	B
Thickness	Offset	Outside	Inside	Special Hardware/Functionality	Packout		

Build the model number with the desired options (Continued)

Door Size				Optional Adjustment		Finish	
<input type="checkbox"/>	N	<input type="checkbox"/>	O	<input type="checkbox"/>	<input type="checkbox"/>	<input type="checkbox"/>	<input type="checkbox"/>
Thickness	Offset	Outside	Inside	Special Hardware/Functionality	Packout		

Door Size		Optional Adjustment		Finish		
Thickness	Offset	Outside	Inside	Special Hardware/Functionality	Packout	Finish
A 1.75" (44mm)	N No Offset	O Standard	O Standard	O Standard	O Standard	BB Bright Brass
B* 1.38" (35-40mm)		A Plain Lens		B Tamper Switch	A Custom Strike	BC Bright Chrome
C 2.00" (51mm)		L Marriott Lens*		M Dummy w/ Messenger Cap	B Ocean Shipment	BK Black
D 2.25" (57mm)		Marriott Lens only for Marriott Properties		N Dummy w/ Double Messenger Cap	C Ocean/Custom Strike	OZ Dark Mahogany
E 2.38" (60mm)					D Ocean/Australia Strike	SC Satin Chrome
F 2.50" (63.5mm)					E Demo Lock*	SN Satin Nickel
G 2.87"-3.00" (73-76mm)					Demo lock only available in 1-3/4" RH door	SB Satin Brass
H 3.03" (77mm)						*Knob only available in BB, BS, SB, SS
J 3.35" (85mm)						** Continental not available in SN
K 3.90" (100mm)						***Only SC, BC, OZ, and BK approved for exterior application

Note: * 1" Faceplate required for 1.38" (35-40mm) door size
 Messenger locks should be configured with DAJ mortise.
 Some listed lever options are not available in all finishes

Saflok ädäse

Lock Overview

The Saflok ädäse electronic lock blends distinctive elegance with superior lock performance & security. The lock reads smart, memory and magstripe keycards as standard and works with the dormakaba access management software.

Applications

- Suitable for small to very large scale hotels
- Easily replaces existing mechanical or electronic door locks throughout a facility
- Access control for guest rooms, common areas as well as back-of-the-house

Security Features

- High security and tamper-proof design
- 1" solid deadbolt (optional auto deadbolt)
- Staff monitoring - Keycard audits (smartcard)

Low Maintenance

- Batteries last up to 2 years
- Low battery indicator alerts staff
- Lock programming and audit are not erased during battery replacement
- Wear resistant construction and finish



Mechanical Features

Description	Electronic mortise lockset with 1" (25.4mm) throw deadbolt and 5/8" (15.9mm) dead-locking latch bolt
Handing	Factory-handed mortise (left, right, left reverse, right reverse)
Lever	
Deadbolt	1" (25.4mm) throw deadbolt and 5/8" (15.9mm) dead-locking latch bolt
Door Thickness	1 3/4" (44.5mm) to 2 1/8" (53.98mm) for standard product
Shipping Weight	Approx. 8.0 lbs with hardware
Housing Construction	Escutcheons: Stainless steel or brass Levers: Brass, zinc, or stainless steel
Standard Finishes	Bright chrome, bright brass, satin chrome, satin brass, dark mahogany
Inside Trim Options	ädäse
Standard Backset	2 3/4" (70mm) from door edge to lever
Locking Options	ANSI lock case with 1 1/4" or 1" lock front mortise. Options: automatic deadbolt, door ajar, MKO European lock case mortise (20 x 165 mm) with 20 x 233 mm lock front mortise
Online Configurations	Messenger Ready DAJ mortise (ANSI lock case) Standard with ädesé inside escutcheon Messenger Online Lock controller board with Messenger capability DAJ mortise (ANSI lock case) Inside escutcheon equipped with Messenger module

Saflok ödese

Overview

Certifications and Testing

Accessibility standard	ADA compliant levers (Code of Federal Regulations 28 CFR Part 36 – 1994 "ADA Standards for Accessible Design")
Fire rating	Listed for pre-prepared manufactured doors and certified for retrofitting on existing doors by Underwriters Laboratories for use on fire doors having up to a three-hour rating. a. U.L. Certification: GWVW.R12071 "Accessories for Single-point Locks and Latches and Fire Exit Hardware." Evaluated in accordance with UL 10B and UL 10C. b. U.L. Listing: GYQS.R11247 "Electrically Controlled Single-point Locks and Latches." Evaluated in accordance with UL 10B and UL 10C. c. Also classified in accordance with Uniform Building Code Standard 7-2, "Fire Test of Door Assemblies" (1997)
BHMA/ANSI	Certified to be compliant with Grade 1 performance tests for "ANSI/BHMA A156.13 - 2012 "American National Standard for Mortise Locks and Latches," and "ANSI/BHMA A156.25 - 2013 "American National Standard for Electrified Locking Devices." (Only locks tested and approved by nonbiased third-party test lab are allowed in the "BHMA Certified Products Directory" found at www.buildershardware.com)
Electronics	FCC Part 15 Class A and CE directive 2014/30/EU compliant
Environmental operating conditions	Indoor side: 32°F to 151°F (0°C to 66°C) Outdoor side: -31°F to 151°F (-35°C to 66°C) 0% to 85% non-condensing humidity at 86°F (30°C)

Warranty

Warranty	2 years
----------	---------

Batteries

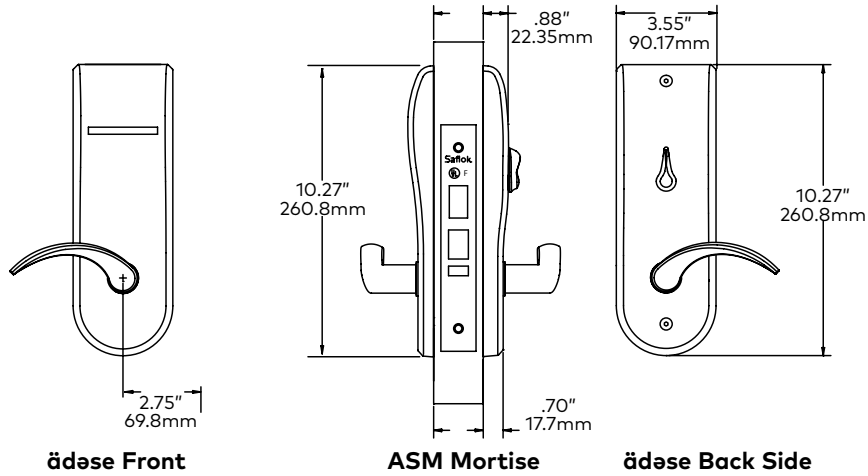
Alkaline	4 AA batteries for up to 2 years. Low battery LED signal alerts user that batteries need to be changed soon
----------	---

Lock Operation

Date/time stamp	Real time; date and hours/minutes
Interrogation	Obtain key usage reports from the lock by using a handheld unit at the door, or increase efficiency by performing a remote Interrogation using Messenger (optional)
Pre-registered keycards	Keys can be made up to ten days in advance without cancelling current or arriving guests
Key expiry	Configurable expiration dates; can be automatically set for check out date or manually applied when making key during check in process.
Passage mode	Set by authorized keycard or Messenger system. Can also be configured to perform an automated / pre-defined passage mode time.
Lockout mode	Set by authorized credential or the Messenger™ System
Keycards accepted	Magstripe, smartcard
Feedback	Light indicators in reader
Diagnostics	Light indicators and handheld display
Audit memory	Up to 4,000 events
Privacy override	Emergency keycards
Disability Feature	RCU readers interface with automatic power operated doors for special openings

Saflok ädəse (ASM/ESM)

Ordering



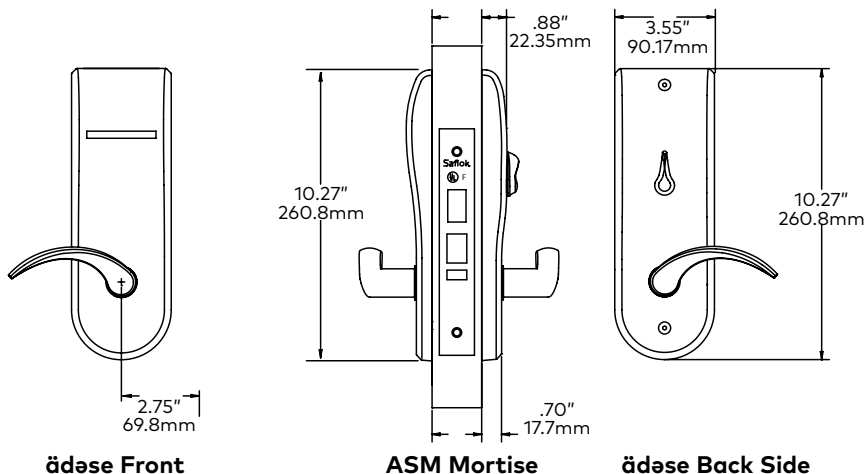
Standard Model (Example) (Continue building the model number to the right)										
Model	Version	Locking Mechanism		Communication		Application	Lever		Handing	
X	F	1	1	1	N	N	O	A	O	L
		Mortise	Faceplate	Primary	Secondary		Type	Position		

Build the model number with the desired options (Continue building the model number to the right)									
Model	Version	Locking Mechanism		Communication		Application	Lever		Handing
X	F	1			N				
		Mortise	Faceplate	Primary	Secondary		Type	Position	

Style	Version	Locking Mechanism		Communication		Application	Lever		Handing
		Mortise	Faceplate	Primary	Secondary		Type	Position	
XF ädəse Card	1	ASM:	ASM:	N	N	O Interior E Exterior	A Arc C Continental E Elevon G Gala K Regal Knob P Apogee T Troy	O Standard 1 Vert I/S 2 Vert O/S 3 Vert I/S & O/S	L Left Hand R Right Hand X Left Hand Reverse Y Right Hand Reverse
		1 Standard	1 1 1/4" (32 mm)	No Primary	No Secondary				
		2 ADB	2 1" (25 mm)	X Primary Ready					
		3 Utility	Dummy:	A Zigbee North America (158mW)					
		4 Standard DAJ	D Dummy (No Faceplate)	B Zigbee Europe / Asia (10mW)					
		5 ADB DAJ	ESM:	C Zigbee International (87mW)					
		6 Utility DAJ	A 20mm	D Inncom RF					
		7 Utility ADB	B 23mm	E Crestron					
		8 Utility ADB DAJ		F Telkonet					
		9 NDB							
		A NDB Utility							
		B NDB DAJ							
		C NDB UTL DAJ							
		Dummy:							
		D Dummy							
ESM:									
G Euro									
H Euro Utility									

Saflok ädäse (ASM/ESM)

Ordering



Standard Model (Example) (Continued)

Door Size				Optional Adjustment			Finish	
A	N	O	O	O	O	A	B	
Thickness	Offset	Outside	Inside	Special Hardware/Functionality	Packout			

Build the model number with the desired options (Continued)

Door Size				Optional Adjustment			Finish	
<input type="checkbox"/>	N	<input type="checkbox"/>	O	<input type="checkbox"/>	<input type="checkbox"/>	<input type="checkbox"/>	<input type="checkbox"/>	
Thickness	Offset	Outside	Inside	Special Hardware/Functionality	Packout			

Door Size		Optional Adjustment				Finish		
Thickness	Offset	Outside	Inside	Special Hardware/Functionality	Packout			
A 1.75" (44mm)	N No Offset	O Standard	O Standard	O Standard	O Standard	AB Antique Brass BB Bright Brass BC Bright Chrome BK Black OZ Dark Mahogany SC Satin Chrome SN Satin Nickel SB Satin Brass *Knob only available in BB, BS, SB, SS ** Continental not available in SN ***Only SC, BC, OZ, and BK approved for exterior application		
B* 1.38" (35-40mm)				B Tamper Switch				A Custom Strike
C 2.00" (51mm)				M Dummy w/ Messenger Cap				B Ocean Shipment
D 2.25" (57mm)				N Dummy w/ Double Messenger Cap				C Ocean/Custom Strike
E 2.38" (60mm)								D Ocean/Australia Strike
F 2.50" (63.5mm)								E Demo Lock*
G 2.87"-3.00" (73-76mm)								
H 3.03" (77mm)								
J 3.35" (85mm)								
K 3.90" (100mm)								
ädäse only available in ADB or Utility for door thickness greater than 2.00" (51mm)								

Note: * 1" Faceplate required for 1.38" (35-40mm) door size
 Messenger locks should be configured with DAJ mortise.
 Some listed lever options are not available in all finishes



Saflok Quantum Series

Lock Overview

The Saflok Quantum lock series offers a unique two-piece modular design with a choice of inside escutcheon look. Synonymous with superior performance, the lock series is renowned for access control, life safety and security. The Quantum Series locks are easy to use and work with dormakaba Access Management Software.

Mobile Access

The Quantum RFID Series are Bluetooth Low Energy (BLE) capable and can operate using the dormakaba Mobile Access Solutions.

Applications

- Suitable for small to very large scale hotels
- Easily replaces existing mechanical or electronic door locks throughout a facility
- Access control for guest rooms, common areas as well as back-of-house

Security Features

- High security and tamper-proof design
- 1" solid deadbolt (optional auto deadbolt)
- Staff monitoring - Keycard audits (RFID and smartcard)
- Tracking mortise for door ajar reporting (ädase standard, MT optional)
- Emergency access: emergency key, mechanical key (QuantumII, QuantumIII and QuantumIV) and electronic override

Low Maintenance

- Batteries last up to 2 years
- Low battery indicator alerts staff
- Lock programming and audit records are not erased during battery replacement
- Operates with a completely sealed contactless reader (RFID only)

Access control management software

The Quantum Series locks are supported by dormakaba's robust access management software solution that features an array of access control workflows for both guest and staff access. Optionally, choose dormakaba's online access management solution for better superior control and monitoring.



Quantum MT

Quantum RFID



QuantumII

QuantumIII




QuantumIV

Quantum Pixel

Saflok Quantum Series

Overview

Mechanical Features

Description	Electronic mortise lockset with 1" (25.4mm) throw deadbolt and 5/8" (15.9mm) dead-locking latch bolt
Handing	Factory-handed mortise (left, right, left reverse, right reverse)
Lever	 <p style="text-align: center;"> Apogee Arc Continental Elevon Gala Troy </p>
Deadbolt	1" (25.4mm) throw deadbolt and 5/8" (15.9mm) dead-locking latch bolt
Door Thickness	1 3/4" (44.5mm) to 2 1/8" (53.98mm) for standard product
Shipping Weight	Approx. 8.0 lbs with hardware
Housing Construction	Escutcheons: brass or stainless steel Levers: brass, zinc, or stainless steel
Standard Finishes	Bright chrome, bright brass, satin chrome, satin brass, dark mahogany
Inside Trim Options	Optional ādase or MT inside escutcheon
Standard Backset	2 3/4" (70mm) backset, 2 3/8" (60mm) backset also available for cylindrical lock
Locking Options	ANSI lock case with 1 1/4" or 1" lock front mortise. Options: automatic deadbolt, door ajar, MKO European lock case mortise (20 x 165 mm) with 20 x 233 mm lock front mortise
Online Configurations	Messenger Ready: DAJ mortise (ANSI lock case) Standard (stand alone) inside escutcheon Messenger Online: Lock controller board with Messenger capability DAJ mortise (ANSI lock case) Inside escutcheon equipped with Messenger module
Mobile Access Options (BLE) Quantum RFID Series only	BLE compatible (standard): upgradable to BLE by adding end cap and BLE module BLE ready: end cap included, upgradable to BLE by adding BLE module BLE enabled: end cap with BLE module included, no further upgrades needed

Saflok Quantum Series

Overview

Certifications and Testing

Accessibility standard	ADA compliant levers (Code of Federal Regulations 28 CFR Part 36 – 1994 "ADA Standards for Accessible Design")
Fire rating	Listed for pre-prepared manufactured doors and certified for retrofitting on existing doors by Underwriters Laboratories for use on fire doors having up to a three-hour rating. U.L. Certification: GWVW.R12071 "Accessories for Single-point Locks and Latches and Fire Exit Hardware." Evaluated in accordance with UL 10B and UL 10C. a. U.L. Listing: GYQS.R11247 "Electrically Controlled Single-point Locks and Latches." Evaluated in accordance b. with UL 10B and UL 10C. c. Also classified in accordance with Uniform Building Code Standard 7-2, "Fire Test of Door Assemblies" (1997)
BHMA/ANSI	Certified to be compliant with Grade 1 performance tests for "ANSI/BHMA A156.13 - 2012 "American National Standard for Mortise Locks and Latches," and "ANSI/BHMA A156.25 - 2013 "American National Standard for Electrified Locking Devices." (Only locks tested and approved by nonbiased third-party test lab are allowed in the "BHMA Certified Products Directory" found at www.buildershardware.com)
Electronics	Quantum Magstripe: FCC Part 15 Class A and CE Directive 2014/30/EU compliant Quantum RFID: FCC Part 15 Class A and CE Directive 2014/53/EU compliant
Environmental operating conditions	Indoor side: 32°F to 151°F (0°C to 66°C) Outdoor side: -31°F to 151°F (-35°C to 66°C) 0% to 85% non-condensing humidity at 86°F (30°C)

Warranty

Warranty	2 years
----------	---------

Batteries

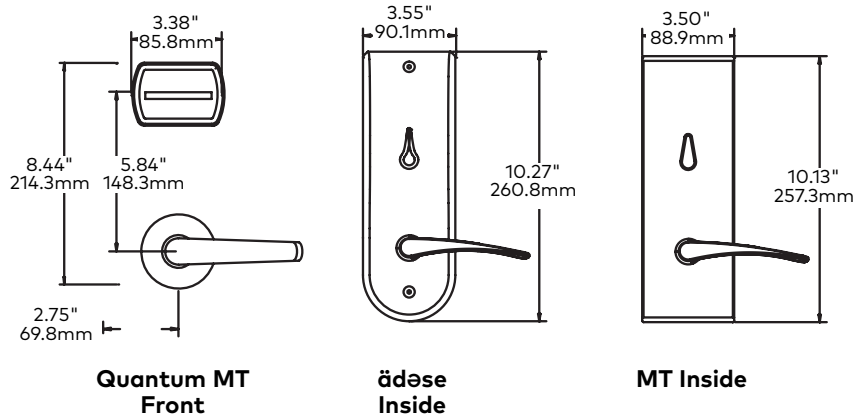
Alkaline	4 AA batteries for up to 2 years. Low battery LED signal alerts user that batteries need to be changed soon
----------	---

Lock Operation

Date/time stamp	Real time; date and hours/minutes
Interrogation	Obtain key usage reports from the lock by using a handheld unit at the door, or increase efficiency by performing a remote Interrogation using Messenger (optional)
Pre-registered keycards	Keys can be made up to ten days in advance without cancelling current or arriving guests
Key expiry	Configurable expiration dates; can be automatically set for check out date or manually applied when making key during check in process.
Passage mode	Set by authorized keycard or Messenger system. Can also be configured to perform an automated / pre-defined passage mode time.
Lockout mode	Set by authorized credential or the Messenger™ System
Keycards accepted	Quantum Magstripe: Magstripe and smartcard keycards Quantum RFID series: Mifare Classic (4 byte NUID), Mifare Plus and Mifare Ultralight C keycards)
Feedback	Light indicators in reader
Diagnostics	Light indicators and handheld display
Audit memory	Up to 4,000 events
Privacy override	Emergency keycards
Disability Feature	RCU readers interface with automatic power operated doors for special openings

Saflok Quantum MT

Ordering



Standard Model (Example) (Continue building the model number to the right)

Model	Version	Locking Mechanism	Communication	Application	Lever	Handing
Q C	1	1 Mortise	1 Faceplate	N N Primary Secondary	O	A O L Type Position

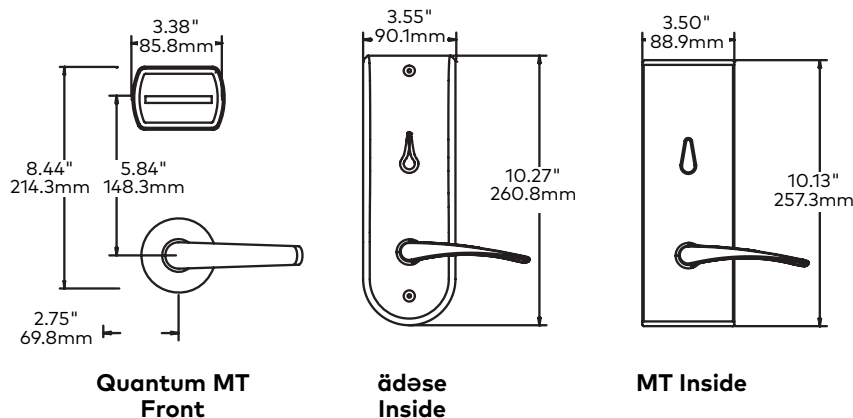
Build the model number with the desired options (Continue building the model number to the right)

Model	Version	Locking Mechanism	Communication	Application	Lever	Handing				
Q <input type="text"/>	1	<input type="text"/> Mortise	<input type="text"/> Faceplate	<input type="text"/> Primary	<input type="text"/> Secondary	<input type="text"/> Application	<input type="text"/> Lever	<input type="text"/> Type	<input type="text"/> Position	<input type="text"/> Handing

Style	Version	Locking Mechanism		Communication		Application	Lever		Handing
		Mortise	Faceplate	Primary	Secondary		Type	Position	
QC Quantum Card MT	1	ASM:	ASM:	N	N	O	A	O	L
QX Quantum Card äðese		1 Standard	1 1 ¼" (32 mm)	X Primary Ready	No Secondary	W Wood Interior	A Arc	Standard	L Left Hand
		2 ADB	2 1" (25 mm)	A Zigbee North America (158mW)		E Wood Exterior	C Continental	1 Vert I/S	R Right Hand
		3 Utility	Dummy	B Zigbee Europe / Asia (10mW)			E Elevon		X Left Hand Reverse
		4 Standard DAJ	D: Dummy (No Faceplate)	C Zigbee International (87mW)			G Gala		Y Right Hand Reverse
		5 ADB DAJ	ESM:	D Inncom RF			K Regal Knob		
		6 Utility DAJ	A 20mm	E Crestron			P Apogee		
		7 Utility ADB	B 23mm	F Telkonet			T Troy		
		8 Utility ADB DAJ							
		9 NDB							
		A NDB Utility							
		B NDB DAJ							
		C NDB UTL DAJ							
		Dummy:							
		D Dummy							
		ESM:							
	G Euro								
	H Euro Utility								

Saflok Quantum MT

Ordering



Standard Model (Example) (Continued)

Door Size		Optional Adjustment				Finish	
<input checked="" type="checkbox"/> A	<input checked="" type="checkbox"/> N	<input checked="" type="checkbox"/> O	<input checked="" type="checkbox"/> O	<input checked="" type="checkbox"/> O	<input checked="" type="checkbox"/> O	<input checked="" type="checkbox"/> A	<input checked="" type="checkbox"/> B
Thickness	Offset	Outside	Inside	Special Hardware/Functionality	Packout		

Build the model number with the desired options (Continued)

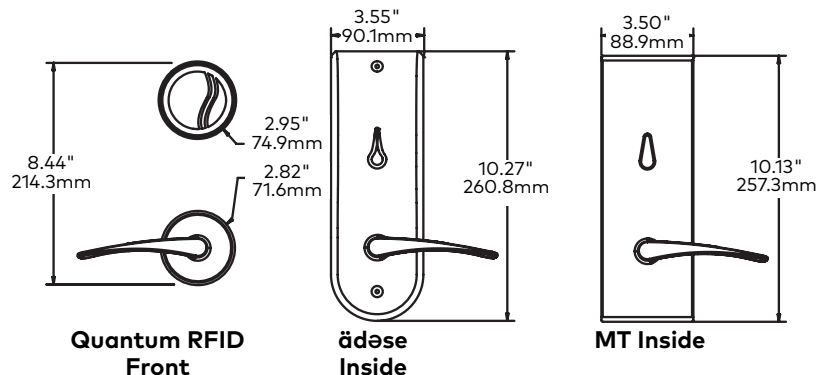
Door Size		Optional Adjustment				Finish	
<input type="checkbox"/>	<input checked="" type="checkbox"/> N	<input checked="" type="checkbox"/> O	<input type="checkbox"/>	<input type="checkbox"/>	<input type="checkbox"/>	<input type="checkbox"/>	<input type="checkbox"/>
Thickness	Offset	Outside	Inside	Special Hardware/Functionality	Packout		

Door Size		Optional Adjustment				Finish				
Thickness	Offset	Outside	Inside	Special Hardware/Functionality	Packout					
A 1.75" (44mm)	N No Offset	O Standard	O Standard	O Standard	O Standard	O Standard	AB Antique Brass			
B* 1.38" (35-40mm)								A Escape Return	A Custom Strike	BB Bright Brass
C 2.00" (51mm)								B Tamper Switch	B Ocean Shipment	BC Bright Chrome
D 2.25" (57mm)								T Toggle (MT only)	C Ocean/Custom Strike	BK Black
E 2.38" (60mm)									D Ocean/Australia Strike	OZ Dark Mahogany
F 2.50" (63.5mm)									E Demo Lock*	SC Satin Chrome
G 2.87"-3.00" (73-76mm)									Demo lock only available in 1-3/4" RH door	SN Satin Nickel
H 3.03" (77mm)										SB Satin Brass
J 3.35" (85mm)										*Knob only available in BB, BS, SB, SS
K 3.90" (100mm)										*AB only available with ädäse I/S
ädäse only available in ADB or Utility for door thickness greater than 2.00" (51mm)				*Continental not available in SN			*Only SC, BC, OZ, and BK approved for exterior application			

Note: * 1" Faceplate required for 1.38" (35-40mm) door size
 Messenger locks to be configured with DAJ mortise for optimal functionality
 Some listed lever options are not available in all finishes

Saflok Quantum RFID

Ordering



Standard Model (Example) (Continue building the model number to the right)

Model	Version	Locking Mechanism		Communication		Application	Lever		Handing
Q M	1	1	1	N	A	O	A	O	L
		Mortise	Faceplate	Primary	Secondary		Type	Position	

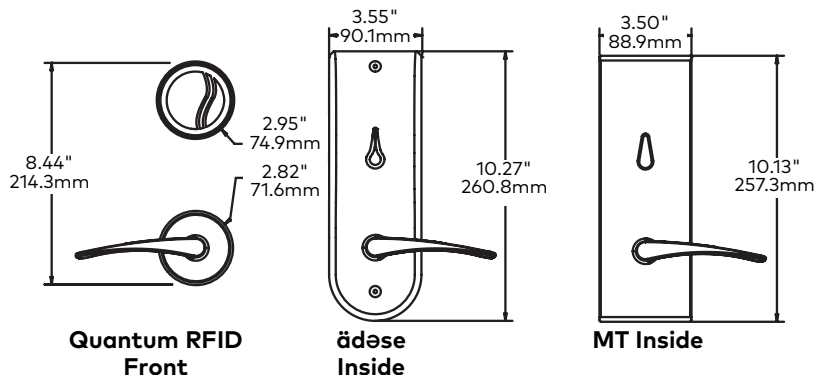
Build the model number with the desired options (Continue building the model number to the right)

Model	Version	Locking Mechanism		Communication		Application	Lever		Handing
Q	1								
		Mortise	Faceplate	Primary	Secondary		Type	Position	

Style	Version	Locking Mechanism		Communication		Application	Lever		Handing
		Mortise	Faceplate	Primary	Secondary		Type	Position	
QM Quantum RFID MT	1	ASM: 1 Standard	ASM: 1 1 ¼" (32 mm)	N No Primary	A BLE Compatible	O Wood Interior	A Arc	O Standard	L Left Hand
QA Quantum RFID äðese		2 ADB	2 1" (25 mm)	X Primary Ready	B BLE Ready	E Wood Exterior	C Continental	1 Vert I/S	R Right Hand
		3 Utility	Dummy: D Dummy (no faceplate)	A Zigbee North America (158mW)	C BLE Enabled	H Wood Heavy	E Eleven		X Left Hand Reverse
		4 Standard DAJ	ESM: A 20mm	D Zigbee North America (158mW)	D Hilton BLE*	1 Metal Interior	G Gala		Y Right Hand Reverse
		5 ADB DAJ	B 23mm	B Zigbee Europe / Asia (10mW)	G BLE Mod Bracket	F Metal Exterior	K Regal Knob		
		6 Utility DAJ		C Zigbee International (87mW)	H Hilton BLE Mod Bracket*	J Metal Heavy	P Apogee		
		7 Utility ADB		D Inncom RF	Dummy: N No Secondary (for Dummy Only)		T Troy		
		8 Utility ADB DAJ		E Crestron	N Hilton BLE (only for Hilton properties)				
		9 NDB		F Telkonet					
		A NDB Utility							
		B NDB DAJ							
		C NDB UTL DAJ							
		Dummy: D Dummy							
		ESM: G Euro							
		H Euro Utility							

Saflok Quantum RFID

Ordering



Standard Model (Example) (Continued)

Door Size: **A** Thickness, **N** Offset, **O** Outside, **O** Inside

Optional Adjustment: **O** Special Hardware/Functionality, **O** Packout

Finish: **A**, **B**

Build the model number with the desired options (Continued)

Door Size: Thickness, **N** Offset, Outside, Inside

Optional Adjustment: Special Hardware/Functionality, Packout

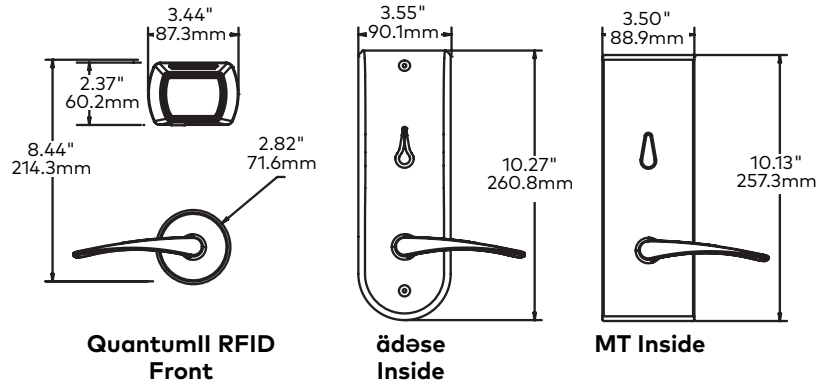
Finish:

Door Size		Optional Adjustment				Finish									
Thickness	Offset	Outside	Inside	Special Hardware/Functionality	Packout										
A 1.75" (44mm)	N No Offset	O Standard	O Standard	O Standard	O Standard	AB Antique Brass									
B* 1.38" (35-40mm)		A Plain Lens	A FS Housing/Thumbturn*	A Escape Return	A Custom Strike	BB Bright Brass									
C 2.00" (51mm)		L Marriott Lens*	B FS Housing/MT Thumbturn*	B Tamper Switch	B Ocean Shipment	BC Bright Chrome									
D 2.25" (57mm)		*Marriott lens only for Marriott properties		C FS Housing/ädäse Thumbturn*	T Toggle (MT only)	C Ocean/Custom Strike	BK Black								
E 2.38" (60mm)				D FS Housing/Utility (no Thumbturn)*	D Dress Ring	D Ocean/Australia Strike	OZ Dark Mahogany								
F 2.50" (63.5mm)				*BLE not available with FS housing. FS housing only available with ädäse locks			M Dummy w/ Messenger Cap	E Demo Lock*	SC Satin Chrome						
G 2.87"-3.00" (73-76mm)							N Dummy w/ Double Messenger Cap	*Demo lock only available in 1-3/4" RH door		SN Satin Nickel					
H 3.03" (77mm)												SB Satin Brass			
J 3.35" (85mm)															*Knob only available in BB, BS, SB, SS
K 3.90" (100mm)															
ädäse only available in ADB or Utility for door thickness greater than 2.00" (51mm)											*Continental not available in SN				
						*Only SC, BC, OZ, and BK approved for exterior application									
											*FS options NOT AVAILABLE in BB, BK, OZ OR SB				

Note: * 1" Faceplate required for 1.38" (35-40mm) door size
 FS housing and Dress Ring on select finishes and ädäse only
 Heavy on ädäse only, satin chrome only
 Messenger locks to be configured with DAJ mortise for optimal functionality
 Some listed lever options are not available in all finishes

Saflok QuantumII RFID

Ordering



Standard Model (Example) (Continue building the model number to the right)

Model	Version	Locking Mechanism	Communication	Application	Lever	Handing
Q R	1	1 Mortise	1 Faceplate	N Primary	A Secondary	O
					A Type	O Position
						L

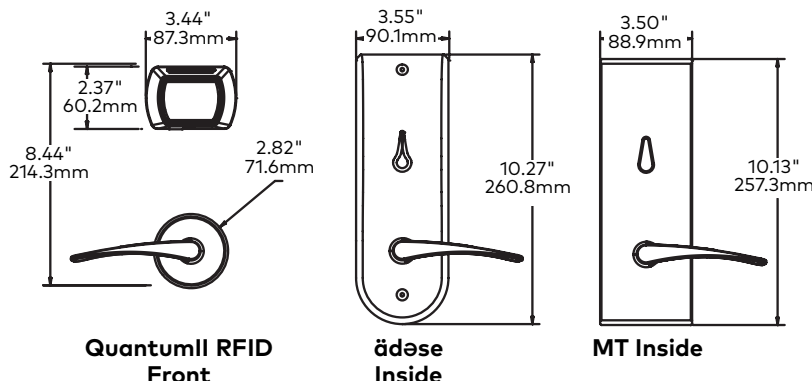
Build the model number with the desired options (Continue building the model number to the right)

Model	Version	Locking Mechanism	Communication	Application	Lever	Handing
Q	1					

Style	Version	Locking Mechanism		Communication		Application	Lever		Handing		
		Mortise	Faceplate	Primary	Secondary		Type	Position			
QR QuantumII MT	1	ASM:	ASM:	N	A	O Interior	A	O	L Left Hand		
QP QuantumII äðäse		1 Standard	1 1 1/4" (32 mm)	X Primary Ready	B BLE Ready		E Exterior	C Continental		1 Vert I/S	R Right Hand
		2 ADB	2 1" (25 mm)	A Zigbee North America (158mW)	C BLE Enabled		H Heavy	E Eleven			X Left Hand Reverse
		3 Utility	Dummy:	B Zigbee Europe / Asia (10mW)	D Hilton BLE*			G Gala			Y Right Hand Reverse
		4 Standard DAJ	D Dummy (no faceplate)	C Zigbee International (87mW)	G BLE Mod Bracket			K Regal Knob			
		5 ADB DAJ	ESM:	D Incom RF	H Hilton BLE Mod Bracket*			P Apogee			
		6 Utility DAJ	A 20mm	E Crestron	N No Secondary (for Dummy Only)			T Troy			
		7 Utility ADB	B 23mm	F Telkonet	Dummy:						
		8 Utility ADB DAJ			N No Secondary (for Dummy Only)						
		9 NDB			Hilton BLE (only for Hilton properties)						
		A NDB Utility									
		B NDB DAJ									
		C NDB UTL DAJ									
		Dummy:									
		D Dummy									
		ESM:									
	G Euro										
	H Euro Utility										

Saflok QuantumII RFID

Ordering



Standard Model (Example) (Continued)

Door Size: **A** Thickness, **N** Offset, **O** Outside, **O** Inside

Optional Adjustment: **O** Special Hardware/Functionality, **O** Packout

Finish: **A**, **B**

Build the model number with the desired options (Continued)

Door Size: Thickness, **N** Offset, **O** Outside, Inside

Optional Adjustment: Special Hardware/Functionality, Packout

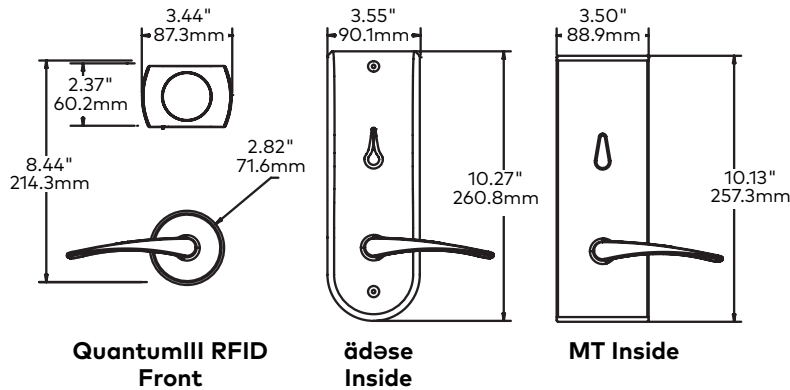
Finish:

Door Size		Optional Adjustment				Finish
Thickness	Offset	Outside	Inside	Special Hardware/Functionality	Packout	
A 1.75" (44mm)	N No Offset	O Standard	O Standard	O Standard	O Standard	AB Antique Brass BB Bright Brass BC Bright Chrome BK Black OZ Dark Mahogany SC Satin Chrome SN Satin Nickel SB Satin Brass
B* 1.38" (35-40mm)			A FS Housing/Thumbturn*	A Escape Return	A Custom Strike	
C 2.00" (51mm)			B FS Housing/MT Thumbturn*	B Tamper Switch	B Ocean Shipment	
D 2.25" (57mm)			C FS Housing/ädäse Thumbturn*	T Toggle (MT only)	C Ocean/Custom Strike	
E 2.38" (60mm)			D FS Housing/ (No Thumbturn)*	D Dress Ring	D Ocean/Australia Strike	
F 2.50" (63.5mm)			F FS Thumbturn	M Dummy w/ Messenger Cap	E Demo Lock*	
G 2.87"-3.00" (73-76mm)				N Dummy w/ Double Messenger Cap	*Demo lock only available in 1-3/4" RH door	
H 3.03" (77mm)						
J 3.35" (85mm)						
K 3.90" (100mm)						
ädäse only available in ADB or Utility for door thickness greater than 2.00" (51mm)			*BLE not available with FS housing. FS housing only available with ädäse locks			*Knob only available in BB, BS, SB, SS *AB only available with ädäse I/S *Continental not available in SN *Only SC, BC, OZ, and BK approved for exterior application *FS options Not available in BB, BK, OZ OR SB

Note: * 1" Faceplate required for 1.38" (35-40mm) door size
 FS housing and Dress Ring on select finishes and ädäse only
 Heavy on ädäse only, satin chrome only
 Messenger locks to be configured with DAJ mortise for optimal functionality
 Some listed lever options are not available in all finishes

Saflok QuantumIII RFID

Ordering



Standard Model (Example) (Continue building the model number to the right)

Model	Version	Locking Mechanism	Communication	Application	Lever	Handing
Q T	1	1 Mortise	1 Faceplate	N Primary	A Secondary	O
				A Type	O Position	L

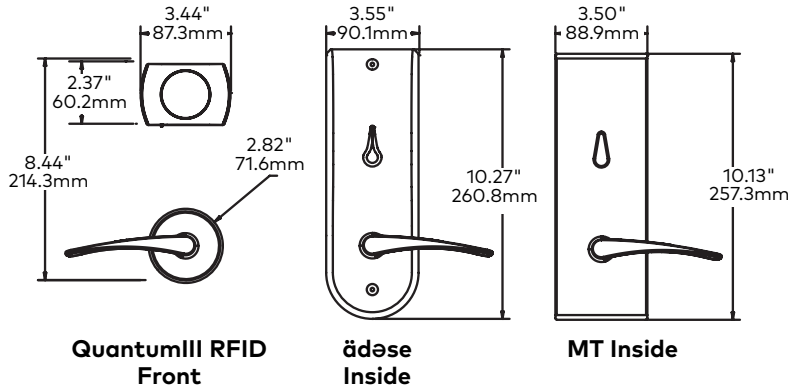
Build the model number with the desired options (Continue building the model number to the right)

Model	Version	Locking Mechanism	Communication	Application	Lever	Handing
Q <input type="text"/>	1	<input type="text"/> Mortise	<input type="text"/> Faceplate	<input type="text"/> Primary	<input type="text"/> Secondary	<input type="text"/>
				<input type="text"/>	<input type="text"/> Type	<input type="text"/> Position

Style	Version	Locking Mechanism		Communication		Application	Lever		Handing
		Mortise	Faceplate	Primary	Secondary		Type	Position	
QT QuantumIII MT	1	ASM: 1 Standard	ASM: 1 1 ¼" (32 mm)	N No Primary	A BLE Compatible	O Interior	A Arc	O Standard	L Left Hand
QU QuantumIII ädäse		2 ADB	2 1" (25 mm)	X Primary Ready	B BLE Ready	E Exterior	C Continental	1 Vert I/S	R Right Hand
		3 Utility	Dummy: D Dummy (no faceplate)	A Zigbee North America (158mW)	C BLE Enabled	H Heavy	E Elevon		X Left Hand Reverse
		4 Standard DAJ	ESM: A 20mm	B Zigbee Europe / Asia (10mW)	D Hilton BLE*		G Gala		Y Right Hand Reverse
		5 ADB DAJ	B 23mm	C Zigbee International (87mW)	G BLE Mod Bracket		K Regal Knob		
		6 Utility DAJ		D Inncom RF	H Hilton BLE Mod Bracket*		P Apogee		
		7 Utility ADB		E Crestron	Dummy: N No Secondary (for Dummy Only)		T Troy		
		8 Utility ADB DAJ		F Telkonet	N Hilton BLE (only for Hilton properties)				
		9 NDB							
		A NDB Utility							
		B NDB DAJ							
		C NDB UTL DAJ							
		Dummy: D Dummy							
		ESM: G Euro							
		H Euro Utility							

Saflok QuantumIII RFID

Ordering



Standard Model (Example) (Continued)

Door Size: A Thickness, N Offset, O Outside, O Inside

Optional Adjustment: O Special Hardware/Functionality

Packout: O

Finish: A, B

Build the model number with the desired options (Continued)

Door Size: Thickness, N Offset, O Outside, Inside

Optional Adjustment: Special Hardware/Functionality

Packout:

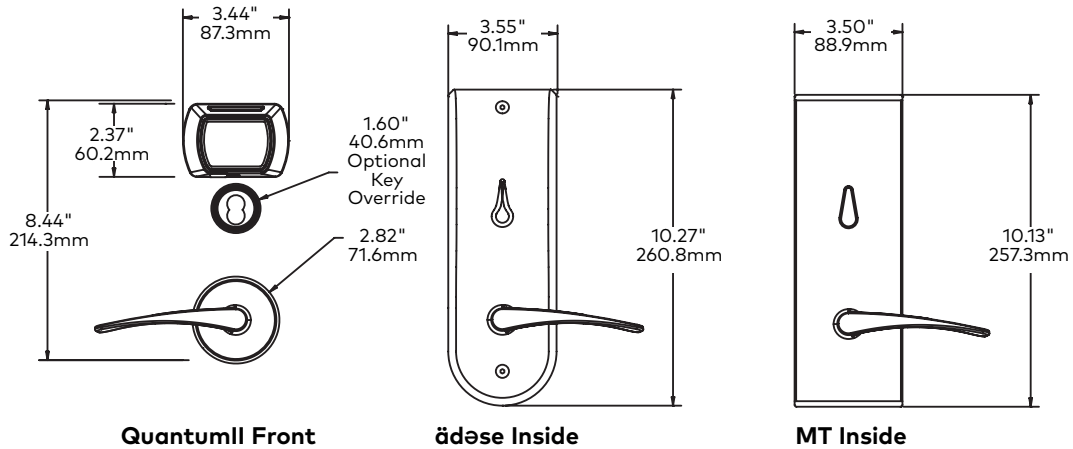
Finish:

Door Size		Optional Adjustment				Finish
Thickness	Offset	Outside	Inside	Special Hardware/Functionality	Packout	
A 1.75" (44mm)	N No Offset	O Standard	O Standard	O Standard	O Standard	AB Antique Brass BB Bright Brass BC Bright Chrome BK Black OZ Dark Mahogany SC Satin Chrome SN Satin Nickel SB Satin Brass *Knob only available in BB, BS, SB, SS *AB only available with ädäse I/S *FS option not available in BB, BK, OZ, or SB *Continental not available in SN *Only SC, BC, OZ, and BK approved for exterior application
B* 1.38" (35-40mm)			A FS Housing/Thumbturn*	A Escape Return		
C 2.00" (51mm)			B FS Housing/MT Thumbturn*	B Tamper Switch		
D 2.25" (57mm)			C FS Housing/ädäse Thumbturn*	T Toggle (MT only)		
E 2.38" (60mm)			D FS Housing/Utility (Turn Piece Plug)	D Dress Ring		
F 2.50" (63.5mm)			F FS Thumbturn*	M Dummy w/ Messenger Cap		
G 2.87"-3.00" (73-76mm)				N Dummy w/ Double Messenger Cap		
H 3.03" (77mm)						
J 3.35" (85mm)						
K 3.90" (100mm)						
ädäse only available in ADB or Utility for door thickness greater than 2.00" (51mm)			*BLE not available with FS housing. FS housing only available with ädäse locks		*Demo lock only available in 1-3/4" RH door	

Note: * 1" Faceplate required for 1.38" (35-40mm) door size
 FS housing and Dress Ring on select finishes and ädäse only
 Heavy on ädäse only, satin chrome only
 Messenger locks to be configured with DAJ mortise for optimal functionality
 Some listed lever options are not available in all finishes

Saflok QuantumII Mechanical Key Override (MKO)

Ordering



Standard Model (Example) (Continue building the model number to the right)

Model	Version	Locking Mechanism	Communication	Application	Lever	Handing
Q R	1	M 1	N A	O	A O	L
		Mortise Faceplate/Cylinder	Primary Secondary		Type Position	

Build the model number with the desired options (Continue building the model number to the right)

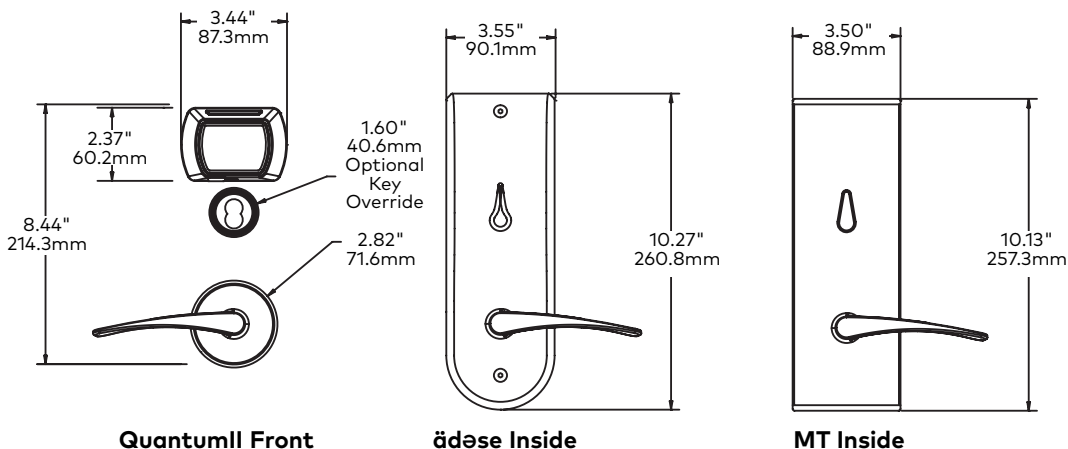
Model	Version	Locking Mechanism	Communication	Application	Lever	Handing
Q <input type="text"/>	1 <input type="text"/>	<input type="text"/> <input type="text"/>	<input type="text"/> <input type="text"/>	<input type="text"/>	<input type="text"/> <input type="text"/>	<input type="text"/>
		Mortise Faceplate/Cylinder	Primary Secondary		Type Position	

Style	Version	Locking Mechanism		Communication		Application	Lever		Handing
		Mortise	Faceplate/Cylinder	Primary	Secondary		Type	Position	
QR QuantumII MT QP QuantumII äðese	1	M MKO	1 1 ¼" (32mm) No Cylinder	N No Primary	A BLE Compatible	O Interior E Exterior	A Arc	O Standard	L Left Hand R Right Hand X Left Hand Reverse Y Right Hand Reverse
		N MKO Utility	3 1 ¼" (32mm) Non SFIC Keyed Differently	X Primary Ready	B BLE Ready		C Continental	1 Vert 1/S	
		P MKO NDB	5 1 ¼" (32mm) Non SFIC Keyed Alike	A Zigbee North America (158mW)	D Hilton BLE*		E Eleven		
		R MKO NDB Utility	7** 1 ¼" (32mm) SFIC	B Zigbee Europe / Asia (10mW)	G BLE Mod Bracket		G Gala		
			2 1" (25mm) No Cylinder	C Zigbee International (87mW)	H Hilton BLE Mod Bracket*		K Regal Knob		
			4 1" (25mm) Non SFIC Keyed Differently	D Inncom RF	*Hilton BLE (only for Hilton properties)		P Regal Knob		
			6 1" (25mm) Non SFIC Keyed Alike	E Crestron			T Apogee		
			8** 1" (25mm) SFIC	F Telkonet			T Troy		

Note: **SFIC does not include core" on 1 ¼" and 1" SFIC option

Saflok QuantumII Mechanical Key Override (MKO)

Ordering



Standard Model (Example) (Continued)

Door Size: **A** Thickness, **N** Offset, **O** Outside, **O** Inside

Optional Adjustment: **O** Special Hardware/Functionality

Packout: **O**

Finish: **B** **B**

Build the model number with the desired options (Continued)

Door Size: Thickness, **N** Offset, **O** Outside, Inside

Optional Adjustment: Special Hardware/Functionality

Packout:

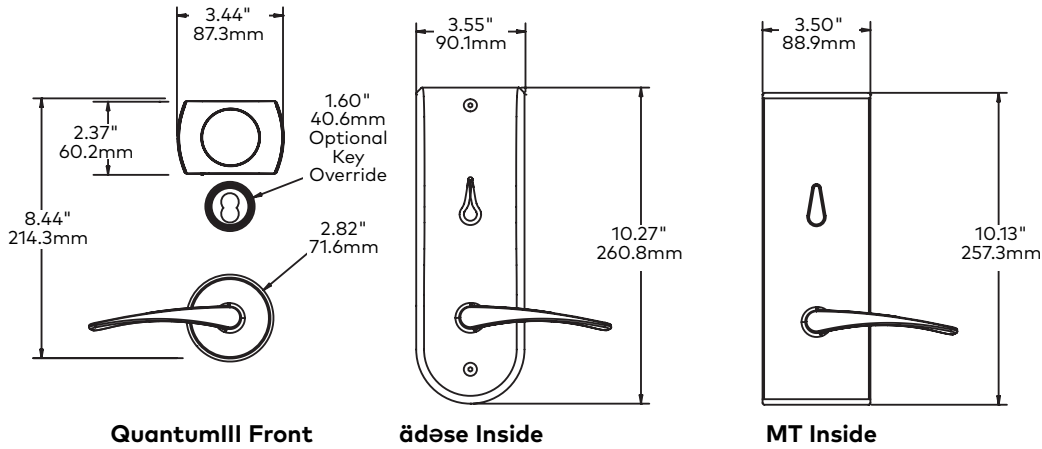
Finish:

Door Size		Optional Adjustment			Finish	
Thickness	Offset	Outside	Inside	Special Hardware/Functionality	Packout	
A 1.75" (44mm)	N No Offset	O Standard	O Standard	O Standard	O Standard	BB Bright Brass BC Bright Chrome BK Black OZ Dark Mahogany SC Satin Chrome SN Satin Nickel SB Satin Brass *Knob only available in BB, BS, SB, SS *AB only available with ädese I/S *FS option not available in BB, BK, OZ, or SB *Continental not available in SN *Only SC, BC, OZ, and BK approved for exterior application
B* 1.38" (35-40mm)			A FS Housing/Thumbturn*	A Escape Return	A Custom Strike	
C 2.00" (51mm)			B FS Housing/MT Thumbturn*	B Tamper Switch	B Ocean Shipment	
D 2.25" (57mm)			C FS Housing/ädese Thumbturn*	T Toggle (MT Only)	C Ocean/Custom Strike	
E 2.38" (60mm)			D FS Housing/ädese Thumbturn*	D Dress Ring	D Ocean/Australia Strike	
F 2.50" (63.5mm)			F FS Housing/(No thumbturn)*		E Demo Lock*	
G 2.87"-3.00" (73-76mm)			F FS Thumbturn		*Demo Lock only available in 1-3/4" RH door Demo only with KD cylinder	
H 3.03" (77mm)						
J 3.35" (85mm)						
K 3.90" (100mm)						
ädese only available in ADB or Utility for door thickness greater than 2.00" (51mm)		*BLE not available with FS housing. FS housing only available with ädese locks				

Note: * 1" Faceplate required for 1.38" (35-40mm) door size
 FS housing and Dress Ring on select finishes and ädese only
 Heavy on ädese only, satin chrome only
 Some listed lever options are not available in all finishes

Saflok QuantumIII Mechanical Key Override (MKO)

Ordering



Standard Model (Example) (Continue building the model number to the right)

Model	Version	Locking Mechanism	Communication	Application	Lever	Handing
Q T	1	M	N A	O	A O	L
		Mortise	Faceplate/Cylinder	Primary	Secondary	
					Type	Position

Build the model number with the desired options (Continue building the model number to the right)

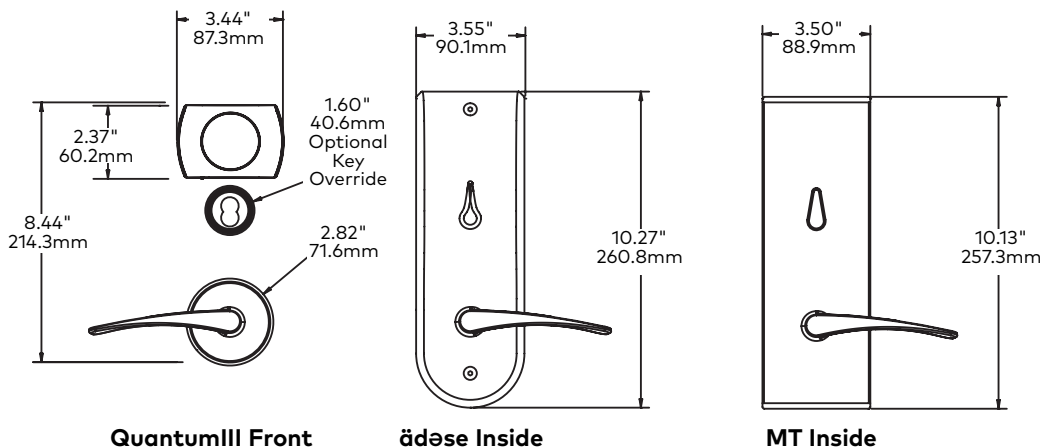
Model	Version	Locking Mechanism	Communication	Application	Lever	Handing
Q	1					
		Mortise	Faceplate/Cylinder	Primary	Secondary	
					Type	Position

Style	Version	Locking Mechanism		Communication		Application	Lever		Handing
		Mortise	Faceplate/Cylinder	Primary	Secondary		Type	Position	
QT QuantumIII MT	1	M MKO	1 1 ¼" (32mm) No Cylinder	N No Primary	A BLE Compatible	O Interior	A Arc	O Standard	L Left Hand
QU QuantumIII äðese		N MKO Utility	3 1 ¼" (32mm) Non SFIC Keyed Differently	X Primary Ready	B BLE Ready	E Exterior	C Continental	1 Vert I/S	R Right Hand
		P MKO NDB	5 1 ¼" (32mm) Non SFIC Keyed Alike	A Zigbee North America (158mW)	D Hilton BLE*		E Elevon		X Left Hand Reverse
		R MKO NDB Utility	7** 1 ¼" (32mm) SFIC	B Zigbee Europe / Asia (10mW)	G BLE Mod Bracket		G Gala		Y Right Hand Reverse
			2 1" (25mm) No Cylinder	C Zigbee International (87mW)	H Hilton BLE Mod Bracket*		K Regal Knob		
			4 1" (25mm) Non SFIC Keyed Differently	D Inncom RF			P Apogee		
			6 1" (25mm) Non SFIC Keyed Alike	E Crestron			T Troy		
			8** 1" (25mm) SFIC	F Telkonet					

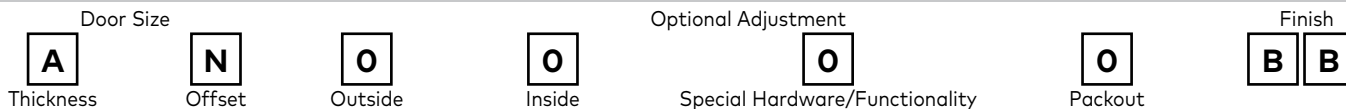
Note: **SFIC does not include core" on 1 ¼" and 1" SFIC option

Saflok QuantumIII Mechanical Key Override (MKO)

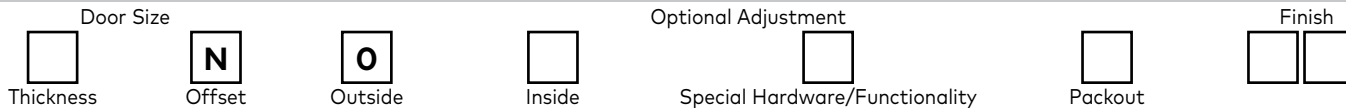
Ordering



Standard Model (Example) (Continued)



Build the model number with the desired options (Continued)



Door Size		Outside	Inside	Optional Adjustment Special Hardware/Functionality	Packout	Finish
Thickness	Offset					
A 1.75" (44mm)	N No Offset	O Standard	O Standard	O Standard	O Standard	AB Antique Brass
B* 1.38" (35-40mm)			A FS Housing/Thumbturn	A Escape Return	A Custom Strike	BB Bright Brass
C 2.00" (51mm)			B FS Housing/MT Thumbturn	B Tamper Switch	B Ocean Shipment	BC Bright Chrome
D 2.25" (57mm)			C FS Housing/ädäse Thumbturn	T Toggle (MT Only)	C Ocean/Custom Strike	BK Black
E 2.38" (60mm)			D FS Housing/Utility (No Thumbturn)*	D Dress Ring	D Ocean/Australia Strike	OZ Dark Mahogany
F 2.50" (63.5mm)					E Demo Lock*	SC Satin Chrome
G 2.87"-3.00" (73-76mm)			*BLE not available with FS housing. FS housing only available with ädäse locks		*Demo Lock only available in 1-3/4" RH door Demo only with KD cylinder	SN Satin Nickel
H 3.03" (77mm)						SB Satin Brass
J 3.35" (85mm)						*Knob only available in BB, BS, SB, SS
K 3.90" (100mm)						*AB only available with ädäse I/S
ädäse only available in ADB or Utility for door thickness greater than 2.00" (51mm)						*FS option not available in BB, BK, OZ, or SB
						*Continental not available in SN
						*Only SC, BC, OZ, and BK approved for exterior application

Note: * 1" Faceplate required for 1.38" (35-40mm) door size
 FS housing and Dress Ring on select finishes and ädäse only
 Heavy on ädäse only, satin chrome only
 Some listed lever options are not available in all finishes



Ritz Carlton, Hong Kong
Saflok Quantum lock with Messenger LENS

Saflok QuantumIV

Overview

The Saflok QuantumIV electronic lock offers dormakaba's unique award winning two-piece modular design with an RFID reader for a sleek and elegant appearance combined with superior lock performance. The lock accepts Mifare Plus credentials for enhanced functionality, and works with dormakaba access management software.

Mobile Access

This Bluetooth Low Energy (BLE) capable lock can operate using the dormakaba Mobile Access Solutions, allowing guests to use their mobile device as their hotel room key.

Applications

- Suitable for small to very large scale hotels
- Easily replaces existing mechanical or electronic door locks throughout a facility
- Access control for guest rooms, common areas as well as back-of-house

Security Features

- High security and tamper-proof design
- 1" solid deadbolt (optional auto deadbolt)
- Staff monitoring - RFID Keycard audits
- Tracking mortise for door ajar reporting (ädase standard, MT optional)
- Emergency access: emergency key, mechanical key and electronic override

Low Maintenance

- Batteries last up to 2 years
- Low battery indicator alerts staff
- Lock programming and audit records are not erased during battery replacement
- Operates with a completely sealed contactless reader

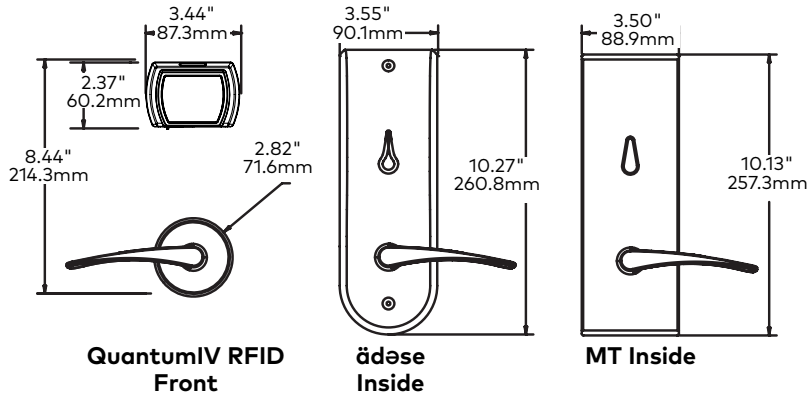
Access control management software

The QuantumIV lock is supported by dormakaba's robust access management software solution that features an array of access control workflows for both guest and staff access. Optionally, choose dormakaba's online access management solution for superior control and monitoring.



Saflok QuantumIV RFID

Ordering



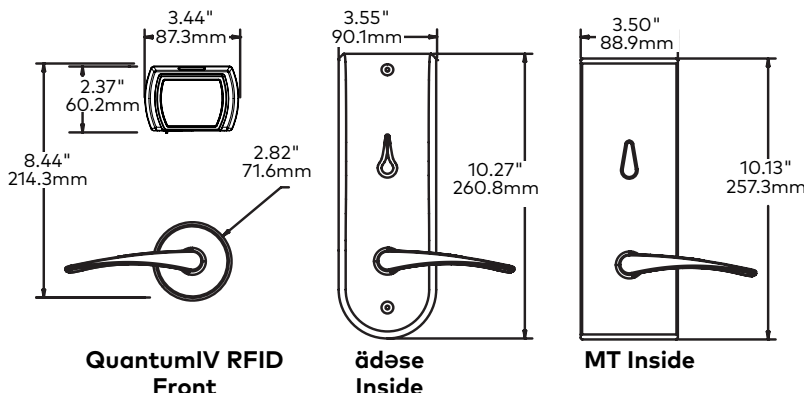
Standard Model (Example) (Continue building the model number to the right)									
Model	Version	Locking Mechanism		Communication		Application	Lever		Handing
Q	1	1	1	N	A	O	A	O	L
		Mortise	Faceplate	Primary	Secondary		Type	Position	

Build the model number with the desired options (Continue building the model number to the right)									
Model	Version	Locking Mechanism		Communication		Application	Lever		Handing
Q	1								
		Mortise	Faceplate	Primary	Secondary		Type	Position	

Style	Version	Locking Mechanism		Communication		Application	Lever		Handing
		Mortise	Faceplate	Primary	Secondary		Type	Position	
QF QuantumIV MT	1	ASM: 1 Standard	ASM: 1 1 1/4" (32 mm)	N No Primary	A BLE Compatible	O Interior	A Arc	O Standard	L Left Hand
QG QuantumIV äðese		2 ADB	2 1" (25 mm)	X Primary Ready	B BLE Ready	E Exterior	C Continental	1 Vert I/S	R Right Hand
		3 Utility	Dummy: D Dummy (no faceplate)	A Zigbee North America (158mW)	C BLE Enabled	H Heavy	E Eleven		X Left Hand Reverse
		4 Standard DAJ	ESM: A 20mm	B Zigbee Europe / Asia (10mW)	D Hilton BLE*		G Gala		Y Right Hand Reverse
		5 ADB DAJ	B 23mm	C Zigbee International (87mW)	G BLE Mod Bracket		K Regal Knob		
		6 Utility DAJ		D Inncom RF	H Hilton BLE Mod Bracket		P Apogee		
		7 Utility ADB		E Crestron	Dummy: N No Secondary (for Dummy Only)		T Troy		
		8 Utility ADB DAJ		F Telkonet	Hilton BLE (only for Hilton properties)				
		9 NDB							
		A NDB Utility							
		B NDB DAJ							
		C NDB UTL DAJ							
		Dummy: D Dummy							
		ESM: G Euro							
		H Euro Utility							

Saflok QuantumIV RFID

Ordering



Standard Model (Example) (Continued)

Door Size		Optional Adjustment				Finish	
A	N	O	O	O	O	A	B
Thickness	Offset	Outside	Inside	Special Hardware/Functionality	Packout		

Build the model number with the desired options (Continued)

Door Size		Optional Adjustment				Finish	
	N	O					
Thickness	Offset	Outside	Inside	Special Hardware/Functionality	Packout		

Door Size		Optional Adjustment				Finish	
Thickness	Offset	Outside	Inside	Special Hardware/Functionality	Packout		
A 1.75" (44mm)	N No Offset	O Standard	O Standard	O Standard	O Standard	O Standard	AB Antique Brass
B* 1.38" (35-40mm)			A FS Housing/Thumbturn*	A Escape Return	A Custom Strike		BB Bright Brass
C 2.00" (51mm)			B FS Housing/MT Thumbturn*	B Tamper Switch	B Ocean Shipment		BC Bright Chrome
D 2.25" (57mm)			C FS Housing/ädese Thumbturn*	T Toggle (MT only)	C Ocean/Custom Strike		BK Black
E 2.38" (60mm)			D FS Housing/Utility (No Thumbturn)*	D Dress Ring	D Ocean/Australia Strike		OZ Dark Mahogany
F 2.50" (63.5mm)			F FS Thumbturn	M Dummy w/ Messenger Cap	E Demo Lock*		SC Satin Chrome
G 2.87"-3.00" (73-76mm)				N Dummy w/ Double Messenger Cap			SN Satin Nickel
H 3.03" (77mm)							SB Satin Brass
J 3.35" (85mm)							
K 3.90" (100mm)							
ädese only available in ADB or Utility for door thickness greater than 2.00" (51mm)						*BLE not available with FS housing. FS housing only available with ädese locks *Demo lock only available in 1-3/4" RH door *Knob only available in BB, BS, SB, SS *AB only available with ädese I/S *FS option not available in BB, BK, OZ, or SB *Continental not available in SN *Only SC, BC, OZ, and BK approved for exterior application	

Note: * 1" Faceplate required for 1.38" (35-40mm) door size
 FS housing and Dress Ring on select finishes and ädese only
 Heavy on ädese only, satin chrome only
 Messenger locks to be configured with DAJ mortise for optimal functionality
 Some listed lever options are not available in all finishes

Saflok Quantum Pixel

Overview

Overview

Saflok Quantum Pixel is the newest addition to dormakaba's award-winning Quantum Series of RFID electronic locks. The Quantum Pixel provides an easy-to-use, secure, and flexible solution that is both visually attractive and high-performing. With its electronics concealed within the door, the Quantum Pixel's visible hardware is minimal resulting in a lock design that integrates seamlessly with any hotel decor.

Mobile Access

The Quantum Pixel is equipped with Bluetooth Low Energy Technology, meaning that the lock is able to operate using the dormakaba Mobile Access Solutions. Guests can safely use their mobile device to access any door in the hotel equipped with Quantum Pixel.

Applications

- Ideal for new construction projects or when doors are being replaced
- Suitable for small to very large scale hotels
- Access control for guest rooms

Security Features

- 1" solid deadbolt
- Staff monitoring – RFID keycard audits
- Tracking mortise for door ajar reporting
- Emergency access: emergency key and electronic override
- Tamper Resistant

Low Maintenance

- Batteries last up to 2 years
- Low battery indicator alerts staff
- Lock programming and audit records are not erased during battery replacement
- Service tray for easy battery access

Access Control Management Software

The Quantum Pixel lock is supported by dormakaba's robust access management software solution that features an array of access control workflows for both guest and staff access. Optionally, choose dormakaba's online access management solution for superior control and monitoring.



Mechanical Features

Description	Electronic mortise lockset with 1" (25.4mm) throw deadbolt and 5/8" (15.9mm) dead-locking latch bolt	
Reader cover	Polycarbonate. Color: black	
Handing	Factory-handed mortise (left, right, left reverse, right reverse)	
Lever	<p>ADA Compliant. Standard levers available</p>  <p style="text-align: center;">Apogee Arc Continental Elevon Gala Troy</p>	
Deadbolt	1" (25.4mm) throw deadbolt and 5/8" (15.9mm) dead-locking latch bolt	
Door Thickness	1.75" to 3". No mortise offset, no rabbeted doors	
Standard Finishes (levers and inside)	Bright chrome, bright brass, satin chrome, satin brass	
Locking Options	ANSI lock case with lock front mortise	
Online Configurations	Messenger LENS Ready	DAJ mortise (ANSI lock case)
	Messenger LENS Online	Lock controller board with Messenger LENS capability (wood doors only) DAJ mortise (ANSI lock case)

Mobile Access Option (BLE)

BLE ready	Upgradeable to BLE with BLE module
BLE enabled	BLE module included, no further upgrades needed

Batteries

Alkaline - Four AA battery pack	Battery life is up to 2 years Low battery indicator: alerts staff that batteries need to be changed soon
------------------------------------	---

Lock Operation

Date/Time Stamp	Real-time; date and hours/minutes
Interrogation	Obtain key usage reports from the lock by using a handheld unit at the door, or increase efficiency by performing a remote Interrogation using Messenger LENS (optional)
Preregistered Keycards	Keys can be made up to ten days in advance without canceling current or arriving guests
Keycard Expiration	Configurable expiration dates; can be automatically set for check out date or manually applied when making key during check in process.
Passage Mode	Set by authorized keycard or Messenger LENS system. Can also be configured to perform an automated/pre-defined passage mode time.
Lockout Mode	Set by authorized keycard or Messenger LENS system
RFID Credentials Specifications	Two credential format options available: Mifare Classic or Mifare Plus - Mifare Classic (4byte NUID): Guest Keycards (Mini), Staff (4K & 1K) - Mifare Plus: Guest Keycards (Mifare Ultralight C, 7 Byte UID), Staff Keycards (Mifare Plus S 2K, 4 Byte NUID, Mifare Plus S 4K, 4 Byte NUID)
Feedback	Light indicators in reader
Diagnostics	Light indicators and handheld display
Audit Trail	Up to 4,000 events
Disability Feature	RCU readers required to interface with automatic power operated doors for special openings
Privacy Override	Emergency keycards

Certifications & Testing

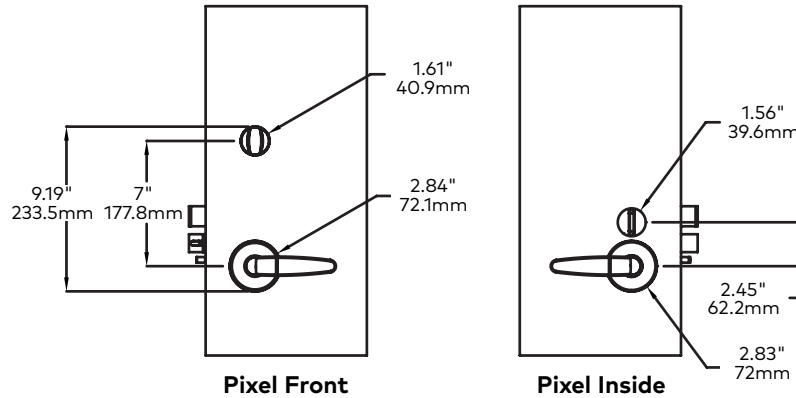
Accessibility Standard	ADA compliant levers (Code of Federal Regulations 28 CFR Part 36 – 1994 "ADA Standards for Accessible Design")
BHMA/ANSI	Grade One performance tests for "ANSI/BHMA A156.13 - 2017 "American National Standard for Mortise Locks and Latches," and "ANSI/BHMA A156.25 - 2013 "American National Standard for Electrified Locking Devices." (Only locks tested and approved by non-biased third-party test lab are allowed in the "BHMA Certified Products Directory" found at www.buildershardware.com)
Fire Rating	U.L. Listing: GYQS.R11247 "Electrically Controlled Single-point Locks and Latches." Evaluated in accordance with UL 10B and UL 10C. Listed for up to 3 hours on metal doors and up to 45 min on wood doors
Electronics	FCC Part 15 Class A and CE 2014/53/EU compliant
Environmental Operating Conditions	Indoor side: 32°F to 151°F (0°C to 66°C) 0% to 85% non-condensing humidity at 86°F (30°C) IP rating: IP54

Warranty

Standard Warranty	Two years
Support Programs	dormakaba Service Plans (Platinum, Gold, Silver)

Saflok Quantum Pixel

Ordering



Standard Model (Example) (Continue building the model number to the right)

Model	Version	Locking Mechanism	Communication	Application	Lever	Handing
K P	1	4 Mortise	2 Faceplate	X Primary	B Secondary	O
				O	A Type	O Position
						L

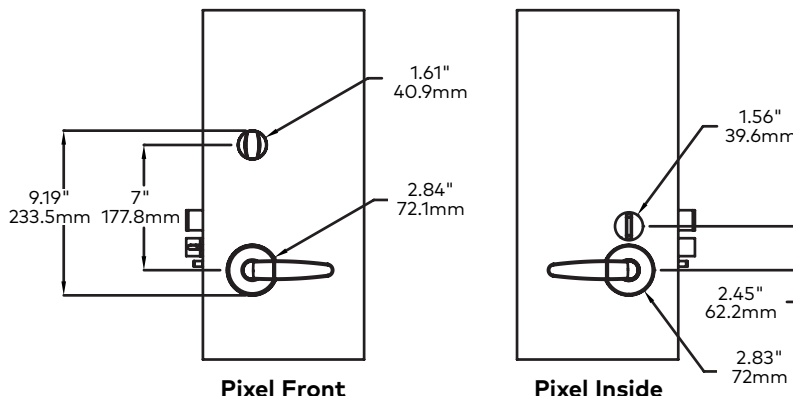
Build the model number with the desired options (Continue building the model number to the right)

Model	Version	Locking Mechanism	Communication	Application	Lever	Handing
K P	1					

Style	Version	Locking Mechanism		Communication		Application	Lever		Handing	
		Mortise	Faceplate	Primary	Secondary		Type	Position		
KP Quantum Pixel	1	ASM:	ASM:	X	B	O Wood Interior	A	O	L Left Hand	
		4	2	Primary Ready	BLE Ready		C	N		R
		Standard DAJ	1" Faceplate	A	C		Kaba BLE Enabled	No Lever Set		X
		6	Dummy:	Zigbee	D		Hilton BLE*			E
		Utility DAJ	D	North America (158mW)	Dummy:		Hilton BLE (only for Hilton properties)			G
		Dummy:	D	Europe / Asia (10mW)	N		No Secondary			K
		D	Dummy (No Faceplate)	C	International (87mW)					P
		Dummy		D	Inncom RF					T
				E	Crestron					N
				F	Telkonet					No Lever Set

Saflok Quantum Pixel

Ordering



Standard Model (Example) (Continued)

Door Size				Optional Adjustment			Finish	
A	N	O	O	O	O	B	B	
Thickness	Offset	Outside	Inside	Special Hardware/Functionality	Packout			

Build the model number with the desired options (Continued)

Door Size				Optional Adjustment			Finish	
	N	O		O				
Thickness	Offset	Outside	Inside	Special Hardware/Functionality	Packout			

Door Size		Outside		Optional Adjustment		Finish	
Thickness	Offset		Inside	Special Hardware/Functionality	Packout		
A 1.75" (44mm)	N No Offset	O Standard	O Standard	O Standard	O Standard	O Standard	BB Bright Brass
B 1.38" (35-40mm)			N No Thumbturn				BC Bright Chrome
C 2.00" (51mm)							BK Black
D 2.25" (57mm)							OZ Dark Mahogany
E 2.38" (60mm)							SC Satin Chrome
F 2.50" (63.5mm)							SB Satin Brass
G 2.87"-3.00" (73-76mm)							SN Satin Nickel
H 3.03" (77mm)							
J 3.35" (85mm)							

*Demo lock only available in 1-3/4" RH door

*Thumbturn not available in OZ or BK finish

*Knob only available in BB, BS, SB, SS, OZ, or SB

*Continental not available in SN

Note: Some listed lever options not available in all finishes
Offset and rabbeted doors not supported

Perimeter Access



Saflok SR™ Series RFID

Overview

The Saflok SR Series reader is a device that operates access control throughout the property from guestroom to perimeter access such as elevator, parking entrances, or any other door requiring an electric strike or electro-magnetic lock. Offering a sleek minimalist design that will suit any property décor, the SR Series functions with the Windows-based Saflok System 6000 and the online wireless system, Saflok Messenger LENS. The device is available in three different models to suit any property's needs.

Perimeter access applications:

- SR1: the reader is installed on a surface mount or on an aluminum door frame.
- SR2: the reader is installed using a flush mount wall plate, available in various finishes

Guestroom applications:

- SR3: the reader is installed behind a third party decorative wall plate

Applications:

The SR1 and SR2 models are ideal for perimeter access points (elevator, parking entrance, outdoor swimming pool) and locking devices (electric strike, magnetic lock)

Features:

- Improved tamper resistance
- Ability to easily integrate into any System 6000™ design
- Environmentally sealed contactless smart card reader protects against climate extremes, which is an especially vital feature for common access readers placed in external building and exit device applications
- Compatible with Messenger LENS
- Optionally equipped with the Messenger™ transceiver for centralized access control
- LED lights displayed behind acrylic reader lens
- Contactless smart card reader uses industry-standard
- Contactless smart card reader leverages Mifare Classic or Mifare Plus credentials
- Programmable auto latch/unlatch feature eliminates need for manual dogging
- Auditable entries/attempts
- Selectable master key access
- Restricts access to guest keys after check-out date
- BLE options (soon available)

Reader and Controller Box Dimensions:

- Single Metal Gang Box: 3.03"H x 3.51" D x 1.97" W (76.96 H x 89.15 D x 50 W mm)
- Metal Controller Box: 3"H x 3.5"D x 3.77" W (76.2 H x 89 D x 95.76 W mm)
- Plastic Controller Box: 4-1/8"H x 2-29/32" D x 4-5/32" W (104.78 H x 73.82 D x 105.57 W mm)

Reader Dimensions and Weight:

- Contactless Reader (Surface Mount):
- 1.81" W x 2.81" H x 1" D (46 W x 71 H x 25 D mm), 0.1 lbs (0.05 kg)
- Contactless Reader (Flush Mount):
- 1.75" W x 2.75" H x .81" D (44W x 70 H x 21 D mm), 0.2 lbs (0.10 kg)

Specifications:

- Voltage: 12-24 VAC or VDC
- SPDT 5A@30VDC relay with common, normally open and normally closed contacts



Saflok SR3 for Guestrooms

Overview

The Saflok SR3 model is a lock kit that provides flexibility to properties seeking an elegant, unique design for guestrooms. This solution allows designers to install the SR Series RFID reader behind a third party wall plate, while fitting customized lever sets and privacy thumb turn hardware on the door. The SR3 solution provides a minimalistic solution without requiring a full bodied lock or RFID reader on the door.

Options:

Properties opting not to use a third party plate, are offered the flexibility to get the SR1 or SR2 readers visible on the wall.

Applications:

The SR3 is ideal for guestroom solutions and new construction projects.

Features:

- Contactless smart card reader leverages Mifare Classic or Mifare Plus credentials
- 1" solid deadbolt (optional auto deadbolt)
- High security and tamperproof design
- Staff monitoring - Keycard audits
- Tracking mortise for door ajar reporting
- Compatible with Messenger LENS



SR3



Saflok SR™ Series RFID

Overview

Locking Mechanical Features

Description	Electronic mortise lockset with 1" (25.4mm) throw deadbolt and 5/8" (15.9mm) dead-locking latch bolt
Handing	Factory-handed mortise (left, right, left reverse, right reverse)
Lever	A large selection of dormakaba custom levers available
Door Thickness	1 3/4" (44.5mm) to 2 1/8" (53.98mm) for standard product
Standard Finishes	Flush mount (SR2 Concierge): Satin Chrome, Satin Brass, Dark Mahogany, Black, Bright Chrome, Bright Brass, Brown, Ivory, White
Standard Backset	2 3/4" (69.9mm) from door edge to lever
Locking Options	ANSI lock case with 1 1/2" or 1" lock front mortise Option: Standard Door Ajar
Online Configurations	Messenger Ready DAJ mortise (ANSI lock case) Messenger Online Lock controller board with Messenger capability - DAJ mortise (ANSI lock case)

Reader Operation

Date/Time Stamp	Real-time; date and hours/minutes
Interrogation	Obtain key usage reports from the lock by using a handheld unit at the door, or increase efficiency by performing a remote Interrogation using Messenger (optional)
Pre-registered Keycards	Keys can be made up to ten days in advance without cancelling current or arriving guests
Keycard Expiration	Configurable expiration dates; can be automatically set for check out date or manually applied when making key during check in process.
Lockout Mode	Set by authorized keycard or Messenger system
Keycards Accepted	Mifare Classic (4 byte NUID, Mifare Plus and Mifare Ultralight C keycards)
Feedback	Light indicators in reader
Diagnostics	Light indicators and handheld display
Audit Trail	Up to 4,000 events)
Disability Feature	RCU readers interface with automatic power operated doors for special openings
Privacy Override	Emergency keycards
Specifications	Voltage: 12-24 VAC or VDC SPDT 5A@30VDC relay with common, normally open and normally closed contacts

Certifications & Testing

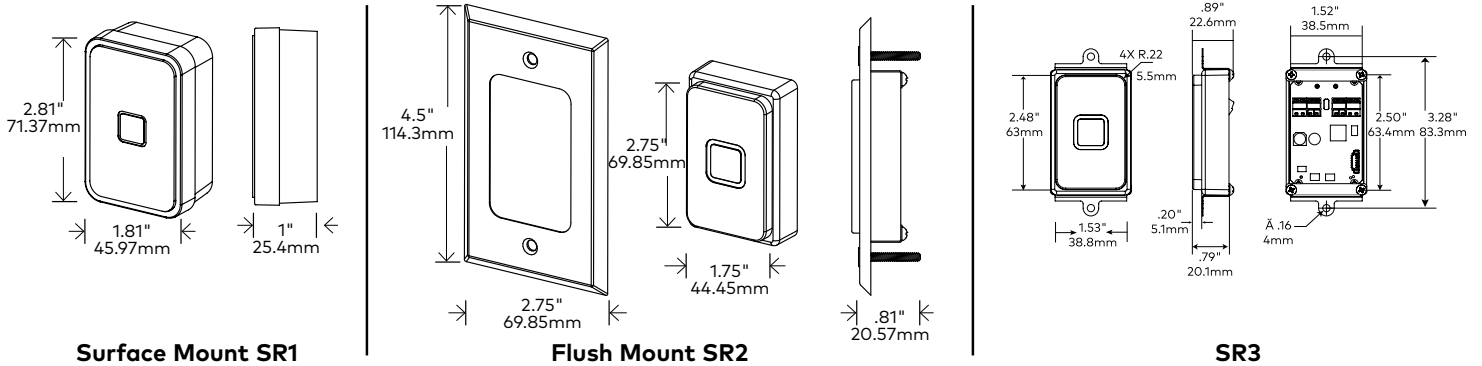
Accessibility Standard	ADA compliant levers (Code of Federal Regulations 28 CFR Part 36 – 1994 "ADA Standards for Accessible Design")
Reader	Certified to the UL294 standard - Certified to the CSA 22.2 No.205 standard - Interfaces with fire panels meeting NFPA fire access alarm standard - Meets FCC and CE requirements
Electronics	FCC Part 15 Class A and CE directive 2014/53/EU compliant
Environmental Operating Conditions	Indoor side: 32°F to 151°F (0°C to 66°C) Outdoor side: -31°F to 151°F (-35°C to 66°C) 0% to 85% non-condensing humidity at 86°F (30°C)

Warranty

Standard Factory Warranty	Two years
Extended Warranty	dormakaba Service Plans (Platinum, Gold, Silver)

Saflok SR Series RFID (Guestrooms)

Ordering



Standard Model (Example)													
Style	Version	Reader Type	SR Controller	Communication		Handing	Door	Faceplate	Custom Options			Finish	
SRC	1	-	1	N	N	L	A	1	0	0	1	SC	SC
				Primary	Secondary		Thickness		Reader	PCB	Hardware	Controller	Reader

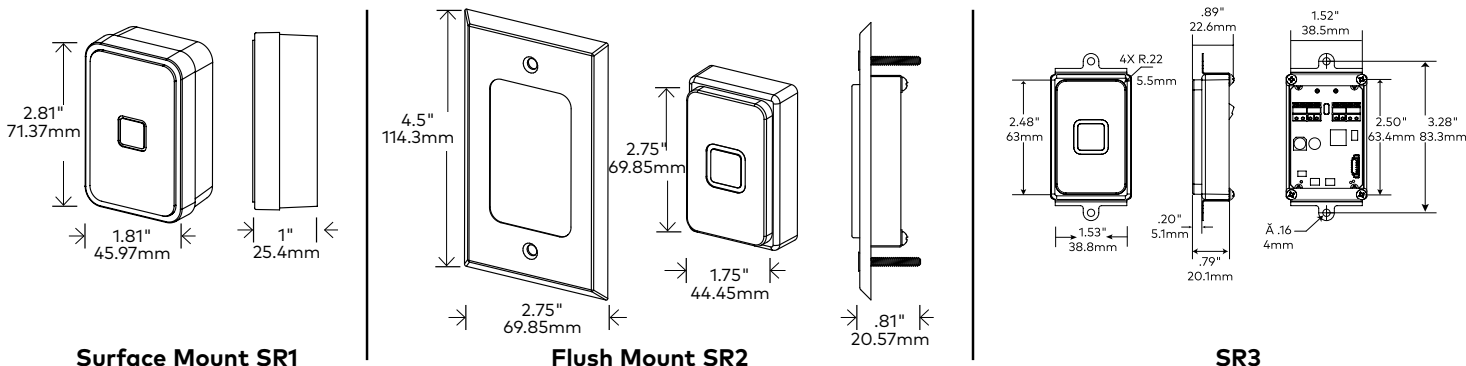
Build the model number with the desired options														
Style	Version	Reader Type	SR Controller	Communication		Handing	Door	Faceplate	Custom Options			Finish		
SRC	1	-			N					0				
				Primary	Secondary		Thickness			Reader	PCB	Hardware	Controller	Reader

Style	Version	Reader Type	SR Controller	Communication		Handing	Door Thickness	Faceplate	Custom Options			Finish	
				Primary	Secondary				Reader	PCB	Hardware	Controller	Reader
SRC SR Concierge	1	SR1: 1 Surface	1 Plastic Flush Box	N No Primary	N No Secondary	L LH R RH X LHR Y RHR	A 1.75-2.38 [44-60] B 1.38 [35] C 2.50 - 3.13 [63.5 - 79.5]	1 1"	SR1: 0 Standard	0 Standard	1 Satin Chrome	NN No Faceplate	SR1: SC Satin Chrome
		SR2 and SR3: 2 Metal Flush Box	2 Primary Ready	X	2 Satin Brass				SC Satin Chrome		SR2 & SR3: BR Bright Brass		
		3 No Box No Faceplate	A Zigbee North America	3 Dark Mahogany	SB Satin Brass				NN No Reader Plate				
		4 Plastic Surface Box	B Zigbee Europe / Asia	4 Black	BC Bright Chrome				SC Satin Chrome				
		5 Metal Surface Box	C Zigbee International	5 Bright Chrome	BB Bright Brass				SB Satin Brass				
		*Messenger kits must use plastic boxes	D Inncom RF	6 Bright Brass	BC Bright Chrome				BC Bright Chrome				
			E Crestron		BL Black Plastic				BB Bright Brass				
			F Telkonet		BR Brown Plastic				BL Black Plastic				
					IV Ivory Plastic				BR Brown Plastic				
					WH White Plastic				IV Ivory Plastic				
									WH White Plastic				

Note: Surface reader type only available in SC finish
 Messenger options must use plastic face plates

Saflok SR Series RFID (RCU/ECU)

Ordering



Style	Version	Function	Relay	Mount	SR Controller	Communication		Custom Options			Finish	
CSR	1	RC	0	1	1	N	N	0	0	0	SC	SC
						Primary	Secondary	Reader	PCB	Packout	Controller	Reader

Style	Version	Function	Relay	Mount	SR Controller	Communication		Custom Options			Finish	
CSR	1	RC	0				N		0			
						Primary	Secondary	Reader	PCB	Packout	Controller	Reader

Style	Version	Function	Relay	Mount	SR Controller	Communication		Custom Options			Finish	
						Primary	Secondary	Reader	PCB	Packout	Controller	Reader
CSR SR Reader	1	RC RCU	0 STD (1 Relay)	1* Surface 2 Flush 3 Clear	1 Plastic Flush Box 2 Zigbee North America (158mW) 3 Metal Flush Box No Box No Faceplate 4 Zigbee Europe / Asia (10mW) Plastic Surface Box 5 Metal Surface Box Option 4 Comes with No Electrical Box, No Faceplate or Faceplate Mounting Screws	N No Primary A Zigbee North America (158mW) B Zigbee Europe / Asia (10mW) C Zigbee International (87mW) D Incom RF E Crestron F Telkonet X Primary Ready	N No Secondary	O Standard E SR2 / SR3 Unassembled Kit Only Comes with Reader and Mounting Hardware, No Single Gang Faceplate	O Standard	O Standard B Ocean Shipping	NN No Faceplate Metal: SC Satin Chrome SB Satin Brass Plastic: BL Black BC Bright Chrome BB Bright Brass BR Brown IV Ivory WH White NN No Finish Option When Selecting SR2 Or SR3 Without Controller Box/ Face Plate	NN No Reader Faceplate *SC Satin Chrome SB Satin Brass BL Black BC Bright Chrome BB Bright Brass BR Brown IV Ivory WH White NN No Finish Option When Selecting SR2 Or SR3 Reader

Note: *Surface reader type only available in SC finish
 Messenger options must use plastic face plates

Saflok Remote Control Unit (RCU)

Overview

Saflok XT RCU

- RCU switch works with electrified locking devices
- Fits into double-gang, deep-back switch box
- Controls electric locking devices up to 24 volts AC/DC
- Auto latch/unlatch feature eliminates need for manual dogging in System 6000™
- Latch/unlatch keys accepted in both System 6000™ and DeskLinc™
- SPDT 5A@30VDC relay with common, normally open and normally closed contact
- Optional Rain hood
- Messenger™ option requires plastic box

Voltage	12-24 AC/DC
Outside Dimensions	4.65" W x 4.59" H
Finishes	Satin Brass Satin Chrome Dark Mahogany



Saflok Quantum RFID RCU

- RCU switch works with electrified locking devices
- Fits into double-gang switch box
- Controls electric locking devices up to 24 volts AC/DC
- Auto latch/unlatch feature eliminates need for manual dogging
- SPDT 5A@30VDC relay with common, normally open and normally closed contact

Mobile Access

The Quantum RFID RCU can operate using the dormakaba Mobile Access Solutions

Voltage	12-24 AC/DC
Outside Dimensions	4.56" W x 4.50" H x 0.75" D
Plate Finishes	Satin Brass Satin Chrome Dark Mahogany Bright Brass Bright Chrome Black White



Accessories

Narrow Stile (Adams Rite 8800 Series)

The narrow stile is designed to retract when electrical power is applied.

Size	36" Standard
Door Requirements	1 3/4" Standard, up to 2 1/4"
Mounted Height	40 1/4" from CL to finished floor
Minimum Stile	2"
Finishes	Satin Aluminum



Electric Strike

The electric strike is designed to release the door-locking mechanism when electrical power is applied. It works with mortise, rim, and cylindrical locks. Different models and sizes are available depending on the application. All models are fail-secure.

Holding Force	1,000 lbs.
Voltage	24 VDC 1.5A
Size	4 7/8" Standard
Finishes	Satin Stainless



Electro-magnetic Lock

Saflok™ offers an electro-magnetic locking device for perimeter doors. This locking unit provides over 1,200 pounds of locking force when activated. It is available in single- or double-magnet configurations.

Voltage	12 or 24 VDC (Field-selectable)
Magnet Size	8 13/16" W x 2 13/16" H x 1 9/16" D (225mm x 56mm x 40mm)
Armature Size	9" W x 2 1/4" H x 1/2" D (230mm x 57mm x 14mm)
Holding Force	1,200 lbs
Finishes	Satin Aluminum



Motion Detector

When approaching the door the motion detector will automatically unlock, allowing entry. The unit's sensitivity is adjustable.

Input Power	12 or 24 VDC or VAC (field-selectable) 35 mA @ 12 VDC, 38 mA @ 24 VDC 38 mA avg. @ 12 VAC, 45 mA avg. @ 24 VAC
Relay	Two Form "C" contact sets rated 1.0 amp @ 30 VDC maximum for DC-resistive loads
Temperature Range	-20° to +120° F (-29° to +49° C). For UL-certified installations, the temperature range is 32° to 120° F (0° to 49° C.)
Enclosure	6-1/4" W x 1-1/2" H x 1-1/2" D (158mm x 38mm x 38mm)



Accessories

Exit Button

The exit button is a palm-sized button designed to deactivate electronic locking devices. It is used for manual egress and works in conjunction with other types of entry/exit devices.



Touch Bar Exit Device

The touch bar exit device is ideally suited to allow manual egress of electro-magnetic locks, remote alarms, and other security devices. The touch bar comes in a kit, which includes the touch bar, a wire loop and pull handle.



SPDT Rated	5A, 250VAC
Finishes	Satin Aluminum / Dark Mahogany

Intercom

The intercom system allows communication with anyone trying to gain entry through the perimeter doors. It comes with an intercom base, speaker with call button, and a power supply. It also allows remote entry depending on perimeter hardware currently in use.



Power Source	AC 12 – 16V or DC 12 – 24V
Consumption	Max. 4W (AC 16V), Max. 200 mA (DC 24V)
Calling	Electronic continuous tone (from door to master) Electronic continuous tone or voice (from master to door)
Output	100 mW
Wiring	Two non-polarized wires and two wires for door release
Contact capacity for door release	Max. AC 30V, 1A, Max. DC 30V, 1A
Distance	390' (24 AWG), 650' (22 AWG), 980' (20 AWG), 1,570' (18 AWG), 2,360' (16 AWG)
Dimensions	5-1/2" W x 7" H x 2-1/4" D (143mm x 180mm x 55mm)

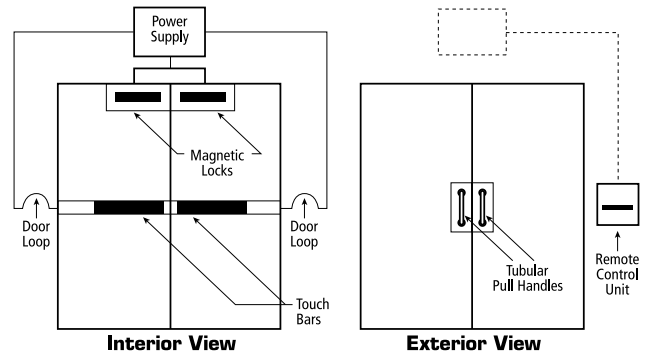
Suggested Applications

Active Double Doors

Magnetic locks with touch bars

KIT Components:

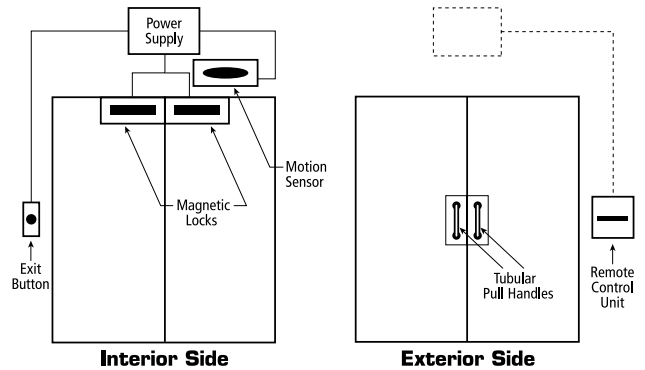
- One power supply
- Two magnetic locks
- Two touch bars (inside)
- Remote control unit (outside)
- Tubular pull handles (outside)



Magnetic locks with motion sensor and exit button

KIT Components:

- One power supply
- Two magnetic locks
- Exit button (inside)
- Motion sensor (inside)
- Remote control unit (outside)
- Tubular pull handles (outside)

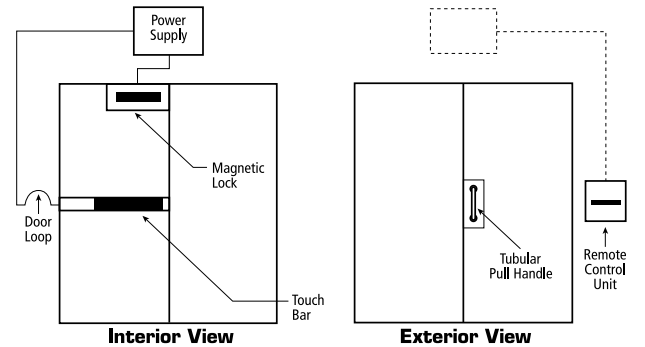


Double Doors with One Active

Magnetic locks with touch bars

KIT Components:

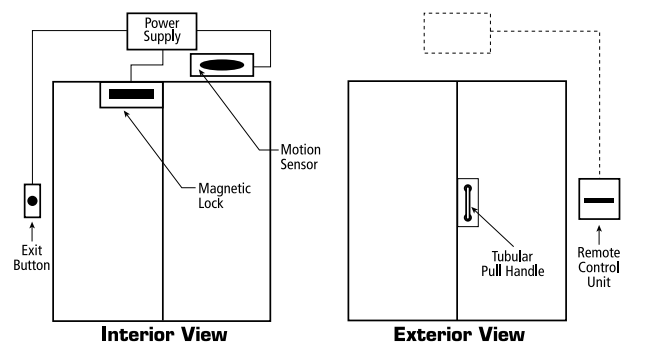
- One power supply
- One magnetic lock
- One touch bar (inside)
- Remote control unit (outside)
- Tubular pull handle (outside)



Magnetic locks with motion sensor and exit button

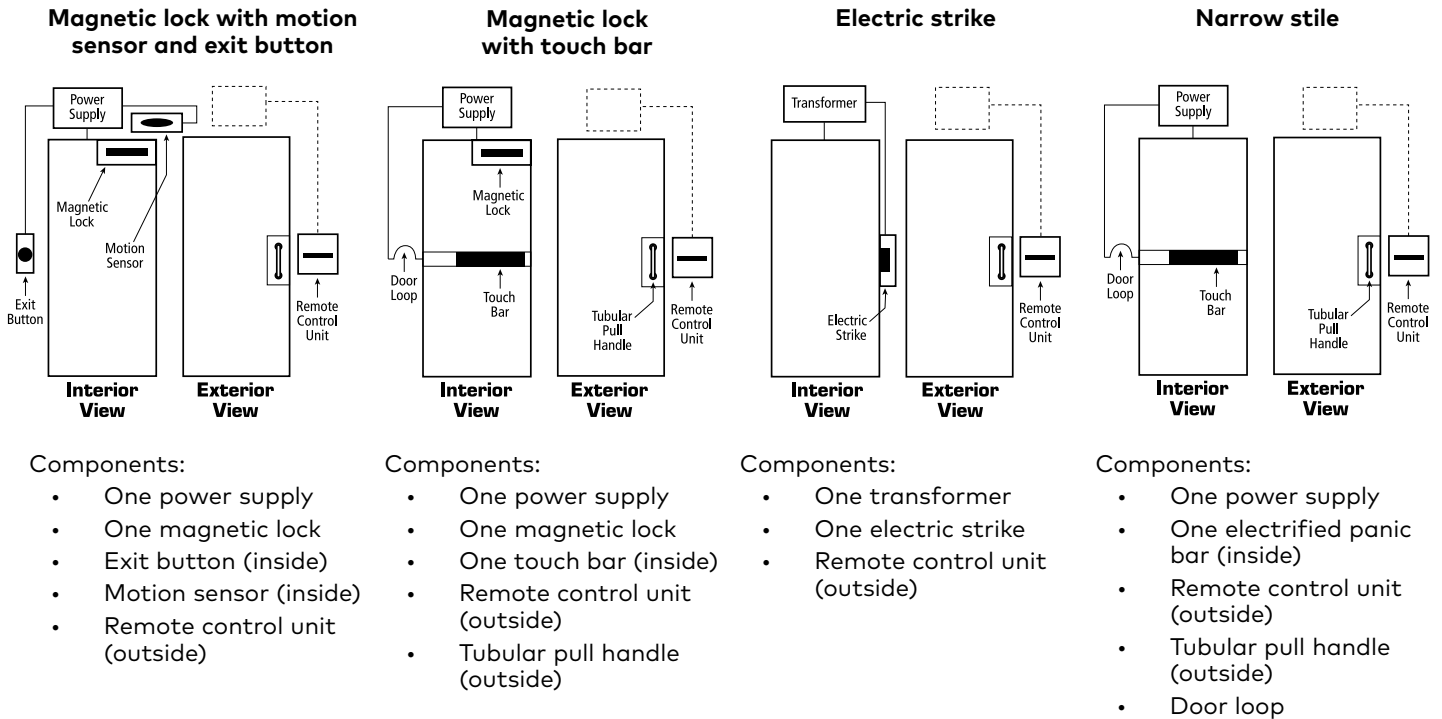
KIT Components:

- One power supply
- One magnetic lock
- One touch bar (inside)
- Remote control unit (outside)
- Tubular pull handle (outside)



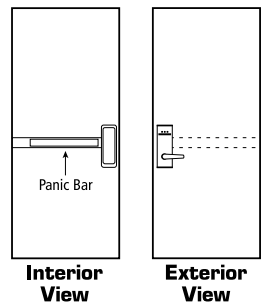
Suggested Applications

Single Door Magnetic Locks with Different Egress Devices



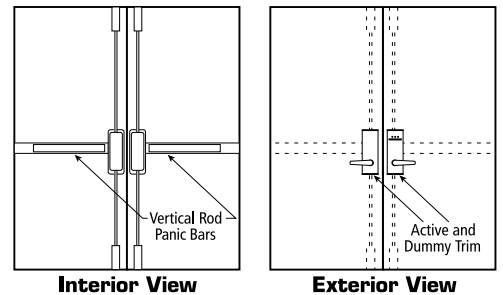
Rim Exit Device

- KIT Components:
- Mounting plate
 - Mounting hardware
 - Saflok rim panic lock



Vertical Rod Exit Device

- KIT Components:
- Mounting plate
 - Mounting hardware
 - Saflok vertical rod panic lock



Elevator Control Unit (ECU)

Overview

dormakaba offers an elevator control unit (ECU) and a multi-channel elevator control unit (MCECU). The standard elevator control unit uses a single relay that will control access to certain floors.

The MCECU's most distinctive feature is that it enables up to 12 pass levels (secure stops), while a standard RCU and ECU can only be programmed to permit a single pass level. The MCECU card reader can be installed on each elevator and is connected to a box containing a processor circuit with up to 12 relays on it.

When a card having one or more pass levels on it is read, the appropriate relay(s) will switch to allow recognition of the floor buttons that each one controls.

All this translates into greater access control. Keycards can be encoded to grant access to only one of the controlled floors, all the controlled floors, or any combination in between the 12 passes.

Multi-Floor Controller (MFC)

The Saflok Multi-Floor Controller (MFC) is elevator control hardware connected to the hotel network. The device is designed to operate with either online or stand-alone elevator control units (ECU). It provides access control and secure stops for multiple floors and functions with RFID contactless lock models and System 6000. When installed as an online solution, the MFC provides flexible access control on the fly. RFID ECU can be controlled up to 1200 feet (350m) away when using the MFC system.

Expanded Pass Option

For properties that require more than the standard 12-pass levels (secure stops) with the MCECU, the expanded pass option is expandable up to 256 new elevator pass levels for a given site. Each new MCECU panel has 16 pass options, and multiple panels that can be used together. This feature is available with the Quantum™ RFID ECU only.



Saflok XT Remote/Elevator Control Unit (RCU/ECU)

Ordering

Standard Model (Example)																			
Style			Version		Function		Relay/Mag Kit	Mount		Reader		Communication		Custom			Finish		
C	X	T	2	-	R	C	0	1	1	N	N	O	O	O	S	B	/	N	N
										Primary		Secondary		Reader	PCB	Packout	Faceplate	Reader	

Build the model number with the desired options																					
Style			Version		Function		Relay/Mag Kit	Mount		Reader		Communication		Custom			Finish				
C	X	T	2	-	R	C								O	O				/	N	N
												Primary		Secondary		Reader	PCB	Packout	Faceplate	Reader	

Style	Version	Function	Relay/Mag Kit	Mount	Reader	Communication		Reader	Custom			Finish	
						Primary	Secondary		PCB	Packout	Faceplate	Reader	
CXT XT Card	2	RC RCU EC ECU (Messenger not an option)	0 Standard 1 relay	1 Surface (RCU only) 2 Flush	1 Single	N No Primary Messenger: A Zigbee N. America (158mW) B Zigbee Europe / Asia (10mW) C Zigbee International (87mW) D Inncom RF E Crestron F Telkonet X Messenger Ready	N No Secondary D Hilton BLE* *Hilton BLE only for Hilton properties	0 Standard	O Standard M MCC Personality (ECU only)	O Standard B Ocean Shipping	SB Satin Brass SC Satin Chrome OZ Dark Mahogany	NN No Reader	

Magnet Kits													
Style	Version	Function	Relay/Mag Kit	Mount	Reader	Communication		Reader	Custom			Finish	
						Primary	Secondary		PCB	Packout	Faceplate	Reader	
CXT XT Card	2	RC RCU	F PIR Sensor G Pushbar 36" Door H Pushbar 48" Door	1 Surface 2 Flush	1 Single Magnet 2 Dual Magnet	N No Primary Messenger: A Zigbee N. America (158mW) B Zigbee Europe / Asia (10mW) C Zigbee International (87mW) D Inncom RF E Crestron F Telkonet X Messenger Ready	N No Secondary	0 Standard	O Standard	O Standard B Ocean Shipping	SB Satin Brass SC Satin Chrome OZ Dark Mahogany	NN No Reader	

Saflok XT/ Multi Chanel Controller (MCC)

Ordering

Standard Model (Example)																		
Style			Version	Function		Relay/Mag Kit	Mount	Reader	Communication		Custom			Finish				
C	X	T	2	M	C	1	2	1	N	N	0	0	0	S	B	/	N	N
									Primary	Secondary	Reader	PCB	Packout	Faceplate		Reader		

Build the model number with the desired options																		
Style			Version	Function		Relay/Mag Kit	Mount	Reader	Communication		Custom			Finish				
C	X	T	2	M	C		2			N	0	0				/	N	N
									Primary	Secondary	Reader	PCB	Packout	Faceplate		Reader		

Style	Version	Function	Relay/Mag Kit	Mount	Reader	Communication		Reader	Custom			Finish	
						Primary	Secondary		PCB	Packout	Faceplate	Reader	
CXT XT Card	2	MC MCC	1 8 relay 2 12 relay	2 Flush	1 Single 2 Dual	N No Primary 1 Go Far 2 Go Far International	N No Secondary	0 Standard	0 Standard	0 Standard B Ocean Shipping	SB Satin Brass SC Satin Chrome OZ Dark Mahogany	NN No Reader	

Saflok Quantum MT Remote/ Elevator Control Unit (RCU/ECU)

Ordering

Standard Model (Example)																		
Style			Version	Function		Relay/Mag Kit	Mount	Reader	Communication		Custom			Finish				
C	Q	C	2	E	C	1	2	1	N	N	O	O	O	N	N	/	S	B
									Primary	Secondary	Reader	PCB	Packout	Faceplate		Reader		

Build the model number with the desired options																		
Style			Version	Function		Relay/Mag Kit	Mount	Reader	Communication		Custom			Finish				
C	Q	C	2	E	C		2	1			O	O		N	N	/		
									Primary	Secondary	Reader	PCB	Packout	Faceplate		Reader		

Style	Version	Function	Relay/Mag Kit	Mount	Reader	Communication		Reader	Custom			Finish	
						Primary	Secondary		PCB	Packout	Faceplate	Reader	
CQC Quantum Card	2	EC ECU (Messenger not an option)	1 Standard 1 relay	2 Flush	1 Single	N No Primary	N No Secondary	O Standard	O Standard	O Standard	B Ocean Shipping	NN No Faceplate	SB Satin Brass SC Satin Chrome OZ Dark Mahogany BB Bright Brass BC Bright Chrome SN Satin Nickel AB Antique Brass BK Black

Saflok Quantum MT Multi Channel Controller (MCC)

Ordering

Standard Model (Example)																	
Style			Version	Function		Relay/Mag Kit	Mount	Reader	Communication		Custom			Finish			
C	Q	C	2	M	C	1	2	1	N	N	O	O	O	N	N	S	B
									Primary	Secondary	Reader	PCB	Packout	Faceplate		Reader	

Build the model number with the desired options																	
Style			Version	Function		Relay/Mag Kit	Mount	Reader	Communication		Custom			Finish			
C	Q	C	2	M	C		2			N	O	O		N	N		
									Primary	Secondary	Reader	PCB	Packout	Faceplate		Reader	

Style	Version	Function	Relay/Mag Kit	Mount	Reader	Communication		Reader	Custom			Finish	
						Primary	Secondary		PCB	Packout	Faceplate	Reader	
CQC Quantum Card	2	MC MCC	1 8 relay 2 12 relay	2 Flush	1 Single 2 Dual	N No Primary 1 Go Far 2 Go Far International	N No Secondary	O Standard	O Standard	O Standard B Ocean Shipping	NN No Faceplate	SB Satin Brass SC Satin Chrome OZ Dark Mahogany BB Bright Brass BC Bright Chrome SN Satin Nickel BK Black AB Antique Brass	

Saflok Quantum RFID Remote/ Elevator Control Unit (RCU/ECU)

Ordering

Standard Model (Example)															
Style			Version	Function		Relay/Mag Kit	Mount	Reader	Communication			Custom	Finish		
C	Q	M	2	R	C	0	1	1	N	B	O	O	D	S	B
									Primary	Secondary	Reader	PCB	Packout	Faceplate	Reader

Build the model number with the desired options															
Style			Version	Function		Relay/Mag Kit	Mount	Reader	Communication			Custom	Finish		
C	Q	M	2	R	C							O			
									Primary	Secondary	Reader	PCB	Packout	Faceplate	Reader

Style	Version	Function	Relay/Mag Kit	Mount	Reader	Communication			Custom			Finish	
						Primary	Secondary	Reader	PCB	Packout	Faceplate	Reader	
CQM Quantum RFID	2	RC RCU EC ECU (Messenger not an option)	O Standard 1 relay	1 Surface (RCU Only) 2 Flush	1 Single	N No Primary Messenger: (RCU Only) A Zigbee N. America (158mW) B Zigbee Europe / Asia (10mW) C Zigbee International (87mW) D Inncom RF E Crestron F Telkonet X Messenger Ready	B BLE Ready C BLE Enabled D Hilton BLE* *Hilton BLE only for Hilton Properties	O Standard A Plain Lens M Marriott Lens* *Marriott Lens only for Marriott properties	O Standard E BLE FW F Hilton BLE FW* ECU: M MCC Personality M MCC BLE FW P MCC Hilton BLE FW* *Hilton BLE and Hilton Load only for Hilton Properties	O Standard B Ocean Shipping	Without Messenger: SB Satin Brass SC Satin Chrome SC Satin Chrome OZ Dark Mahogany Dark Mahogany BB Bright Brass BB Bright Brass BC Bright Chrome BK Black With Messenger: BL Black BR Brown IV Ivory WH White	SB Satin Brass SC Satin Chrome OZ Dark Mahogany BB Bright Brass BC Bright Chrome SN Satin Nickel AB Antique Brass BK Black	

Magnet Kits												
Style	Version	Function	Relay/Mag Kit	Mount	Reader	Communication	Communication	Reader	Custom	Custom	Finish	Finish
CQM Quantum RFID	2	RC RCU	F PIR Sensor G Pushbar 36" Door H Pushbar 48" Door	1 Surface 2 Flush	1 Single Magnet 2 Dual Magnet	N No Primary Messenger: A Zigbee N. America (158mW) B Zigbee Europe / Asia (10mW) C Zigbee International (87mW) D Inncom RF E Crestron F Telkonet X Messenger Ready	B BLE Ready C BLE Enabled D Hilton BLE* *Hilton BLE only for Hilton Properties	O Standard A Plain Lens M Marriott Lens* *Marriott Lens only for Marriott properties	O Standard E BLE FW F Hilton BLE FW* *Hilton BLE only for Hilton Properties	O Standard B Ocean Shipping	Without Messenger: SB Satin Brass SC Satin Chrome SC Satin Chrome OZ Dark Mahogany Dark Mahogany BB Bright Brass BB Bright Brass BC Bright Chrome With Messenger: BL Black BR Brown IV Ivory WH White	SB Satin Brass SC Satin Chrome OZ Dark Mahogany BC Bright Chrome

Saflok Quantum RFID Remote/ Elevator Control Unit (RCU/ECU)

Ordering

Screwless Kit

Standard Model (Example)															
Style			Version	Function		Relay/Mag Kit	Mount	Reader	Communication		Custom			Finish	
C	Q	M	2	R	C	0	2	1	N	B	0	0	0	B	S / S B
									Primary	Secondary	Reader	PCB	Packout	Faceplate	Reader

Build the model number with the desired options															
Style			Version	Function		Relay/Mag Kit	Mount	Reader	Communication		Custom			Finish	
C	Q	M	2	R	C	0	2	1	N			0			
									Primary	Secondary	Reader	PCB	Packout	Faceplate	Reader

Style	Version	Function	Relay/Mag Kit	Mount	Reader	Communication		Custom			Finish	
						Primary	Secondary	Reader	PCB	Packout	Faceplate	Reader
CQM Quantum RFID	2	RC RCU	0 Standard 1 relay	2 Flush	1 Single	N No Primary Messenger: (RCU Only) A Zigbee N. America (158mW) B Zigbee Europe / Asia (10mW) C Zigbee International (87mW) D Inncom RF E Crestron F Telkonet X Messenger Ready	B BLE Ready C BLE Enabled D Hilton BLE*	0 Standard A Plain Lens M Marriott Lens*	0 Standard E BLE FW F Hilton BLE FW*	0 Standard B Ocean Shipping	BS Black Screwless BT Brown Screwless VS Ivory Screwless WS White Screwless AL Almond Screwless GR Gray Screwless LA Light Almond Screwless BE Beige Screwless TP Taupe Screwless SI Sienna Screwless	SB Satin Brass SC Satin Chrome OZ Dark Mahogany BB Bright Brass BC Bright Chrome SN Satin Nickel AB Antique Brass BK Black

Saflok Quantum RFID Multi Channel Controller (MCC/EMCC)-Multi Floor Controller (MFC)

Ordering

Standard Model (Example)																			
Style	Version	Function	Relay/Mag Kit	Mount	Reader	Communication		Custom			Finish								
C	Q	M	2	-	M	C	1	2	1	N	B	O	O	O	S	B	/	S	B
							Primary	Secondary	Reader	PCB	Packout	Faceplate	Reader						

Build the model number with the desired options																			
Style	Version	Function	Relay/Mag Kit	Mount	Reader	Communication		Custom			Finish								
C	Q	M	2	-															
							Primary	Secondary	Reader	PCB	Packout	Faceplate	Reader						

Style	Version	Function	Relay/Mag Kit	Mount	Reader	Communication		Custom			Finish											
						Primary	Secondary	Reader	PCB	Packout	Faceplate	Reader										
CQM Quantum RFID	2	MC MCC	MCC: 1 8 relay	2 Flush	1 Single	N BLE Ready	B BLE Ready	O Standard	O Standard	O Standard	SB Satin Brass	SB Satin Brass										
													ME EMCC	2 12 relay	2 Dual	1 No Primary	C BLE Enabled	A Plain Lens	E BLE FW	B Ocean Shipping	SC Satin Chrome	SC Satin Chrome
		5 32 relay	2 Go Far	*Hilton BLE only for Hilton Properties	*Marriott Lens only for Marriott properties	BB Bright Brass	BB Bright Brass															
								6 48 relay	2 Go Far International	EMCC:	BK Black	BC Bright Chrome	BC Bright Chrome									
														7 64 relay	1 Go Far	MFC:	SN Satin Nickel	AB Antique Brass				
		8 80 relay	2 Go Far International	1 North America	BK Black	BK Black																
							9 96 relay	2 International	1 8 relay	AB Antique Brass	BK Black											
												A 112 relay	3 16 relay	2 24 relay	AB Antique Brass	BK Black						
		B 128 relay	4 24 relay	AB Antique Brass	BK Black																	
						MFC:	5 32 relay	AB Antique Brass	BK Black													

*Hilton BLE only supports MFC with up to 12 channels and must be configured as a pass device.
EMCC Does not support Hilton BLE

Saflok QuantumII RFID Remote/ Elevator Control Unit (RCU/ECU)

Ordering

Standard Model (Example)															
Style			Version	Function		Relay/Mag Kit	Mount	Reader	Communication		Custom			Finish	
C	Q	R	2	R	C	0	1	1	N	B	0	0	0	S	B
									Primary	Secondary	Reader	PCB	Packout	Faceplate	Reader

Build the model number with the desired options															
Style			Version	Function		Relay/Mag Kit	Mount	Reader	Communication		Custom			Finish	
C	Q	R	2								0	0			
									Primary	Secondary	Reader	PCB	Packout	Faceplate	Reader

Style	Version	Function	Relay/Mag Kit	Mount	Reader	Communication		Custom			Finish	
						Primary	Secondary	Reader	PCB	Packout	Faceplate	Reader
CQR QuantumII	2	RC RCU EC ECU (Messenger not an option)	0 Standard 1 relay	1 Surface (RCU Only) 2 Flush	1 Single	N No Primary Messenger: (RCU Only) A Zigbee N. America (158mW) B Zigbee Europe / Asia (10mW) C Zigbee International (87mW) D Inncom RF E Crestron F Telkonet X Messenger Ready	B BLE Ready C BLE Enabled D Hilton BLE* *Hilton BLE only for Hilton Properties	0 Standard	0 Standard E BLE FW F Hilton BLE FW* ECU: M MCC Personality N MCC BLE FW P MCC Hilton BLE FW* *Hilton BLE and Hilton Load only for Hilton properties.	0 Standard B Ocean Shipping	Without Messenger: SB Satin Brass SC Satin Chrome OC Satin Chrome OZ Dark Mahogany BB Dark Mahogany BC Bright Brass BC Bright Chrome SN Satin Nickel AB Antique Brass BK Black With Messenger: BL Black BR Brown IV Ivory WH White:	SB Satin Brass SC Satin Chrome OZ Dark Mahogany BC Bright Chrome

Magnet Kits												
Style	Version	Function	Relay/Mag Kit	Mount	Reader	Communication	Communication	Custom	Custom	Custom	Finish	Finish
CQR QuantumII	2	RC RCU	F PIR Sensor G Pushbar 36" Door H Pushbar 48" Door	1 Surface 2 Flush	1 Single Magnet 2 Dual Magnet	N No Primary Messenger: A Zigbee N. America (158mW) B Zigbee Europe / Asia (10mW) C Zigbee International (87mW) D Inncom RF E Crestron F Telkonet X Messenger Ready	B BLE Ready C BLE Enabled D Hilton BLE* *Hilton BLE only for Hilton Properties	0 Standard	0 Standard	0 Standard B Ocean Shipping	Without Messenger: SB Satin Brass SC Satin Chrome OC Satin Chrome OZ Dark Mahogany BB Dark Mahogany BC Bright Brass BC Bright Chrome SN Satin Nickel AB Antique Brass BK Black With Messenger: BL Black BR Brown IV Ivory WH White	SB Satin Brass SC Satin Chrome OZ Dark Mahogany BC Bright Chrome

Saflok QuantumII RFID Remote/ Elevator Control Unit (RCU/ECU)

Ordering

Screwless Kit

Standard Model (Example)																
Style			Version	Function	Relay/Mag Kit	Mount	Reader	Communication			Custom		Finish			
C	Q	R	2	RC	0	2	1	A	B	0	0	0	B	S	S	B
								Primary	Secondary	Reader	PCB	Packout	Faceplate	Reader		

Build the model number with the desired options															
Style			Version	Function	Relay/Mag Kit	Mount	Reader	Communication			Custom		Finish		
C	Q	R	2	RC	0	2	1				0				
								Primary	Secondary	Reader	PCB	Packout	Faceplate	Reader	

Style	Version	Function	Relay/Mag Kit	Mount	Reader	Communication		Reader	Custom		Finish	
						Primary	Secondary		PCB	Packout	Faceplate	Reader
CQR QuantumII	2	RC RCU	0 Standard 1 relay	2 Flush	1 Single	N No Primary	B BLE Ready	0 Standard	0 Standard	0 Standard	BS Black Screwless	SB Satin Brass
						Messenger: (RCU only)	C BLE Enabled		E BLE FW	B Ocean Shipping	BT Brown Screwless	SC Satin Chrome
						A Zigbee N. America (158mW)	D Hilton BLE*		F Hilton BLE FW*		VS Ivory Screwless	OZ Dark Mahogany
						B Zigbee Europe / Asia (10mW)	*Hilton BLE only for Hilton Properties		*Hilton BLE only for Hilton Properties		WS White Screwless	BB Bright Brass
						C Zigbee International (87mW)					AL Almond Screwless	BC Bright Chrome
						D Inncom RF					GR Gray Screwless	SN Satin Nickel
						E Crestron					LA Light Almond Screwless	AB Antique Brass
						F Telkonet					BE Beige Screwless	BK Black
						X Messenger Ready					TP Taupe Screwless	
											SI Sienna Screwless	

Saflok QuantumII RFID Multi Channel Controller (MCC/EMCC)-Multi Floor Controller (MFC)

Ordering

Standard Model (Example)																			
Style	Version	Function	Relay/Mag Kit	Mount	Reader	Communication		Custom			Finish								
C	Q	R	2	-	M	C	1	2	1	N	B	0	0	0	S	B	/	S	B
							Primary	Secondary	Reader	PCB	Packout	Faceplate	Reader						

Build the model number with the desired options																			
Style	Version	Function	Relay/Mag Kit	Mount	Reader	Communication		Custom			Finish								
C	Q	R	2	-						0	0								
							Primary	Secondary	Reader	PCB	Packout	Faceplate	Reader						

Style	Version	Function	Relay/Mag Kit	Mount	Reader	Communication		Custom			Finish	
						Primary	Secondary	Reader	PCB	Packout	Faceplate	Reader
QQR QuantumII	2	MC MCC	MCC: 1 8 relay 2 12 relay	2 Flush	1 Single 2 Dual	MCC: N BLE Ready 1 No Primary C BLE Enabled D Hilton BLE*	B BLE Ready C BLE Enabled D Hilton BLE*	0 Standard	0 Standard E BLE FW F Hilton BLE FW* (not available with EMCC)	0 Standard B Ocean Shipping	SB Satin Brass SC Satin Chrome OZ Dark Mahogany BB Bright Brass BC Bright Chrome BK Black	SB Satin Brass SC Satin Chrome OZ Dark Mahogany BB Bright Brass BC Bright Chrome SN Satin Nickel AB Antique Brass BK Black
		ME EMCC	EMCC: 3 16 relay 5 32 relay 6 48 relay 7 64 relay 8 80 relay 9 96 relay A 112 relay B 128 relay		EMCC: 1 Go Far 2 Go Far International EMCC: 1 Go Far 2 Go Far International MFC: 1 North America 2 International	0 Standard E BLE FW F Hilton BLE FW* (not available with EMCC)	0 Standard B Ocean Shipping	SB Satin Brass SC Satin Chrome OZ Dark Mahogany BB Bright Brass BC Bright Chrome BK Black	SB Satin Brass SC Satin Chrome OZ Dark Mahogany BB Bright Brass BC Bright Chrome SN Satin Nickel AB Antique Brass BK Black			
		MF MFC	MFC: 1 8 relay 3 16 relay 4 24 relay 5 32 relay		MFC: 1 North America 2 International	0 Standard E BLE FW F Hilton BLE FW* (not available with EMCC)	0 Standard B Ocean Shipping	SB Satin Brass SC Satin Chrome OZ Dark Mahogany BB Bright Brass BC Bright Chrome BK Black	SB Satin Brass SC Satin Chrome OZ Dark Mahogany BB Bright Brass BC Bright Chrome SN Satin Nickel AB Antique Brass BK Black			

*Hilton BLE only supports MFC with up to 12 channels and must be configured as a pass device. EMCC Does not support Hilton BLE



Marina Bay Sands, Singapore
Saflok MT locks with System 6000

Saflok QuantumIII RFID Remote/Elevator Control Unit (RCU/ECU)

Ordering

Standard Model (Example)																			
Style	Version	Function	Relay/Mag Kit	Mount	Reader	Communication		Reader	Custom		Finish								
C	Q	T	2	-	R	C	0	1	1	N	B	0	0	0	S	B	/	B	K
						Primary	Secondary	Reader	PCB	Packout	Faceplate		Reader						

Build the model number with the desired options																			
Style	Version	Function	Relay/Mag Kit	Mount	Reader	Communication		Reader	Custom		Finish								
C	Q	T	2	-				1			0	0					/	B	K
						Primary	Secondary	Reader	PCB	Packout	Faceplate		Reader						

Style	Version	Function	Relay/Mag Kit	Mount	Reader	Communication		Reader	Custom			Finish	
						Primary	Secondary		PCB	Packout	Faceplate	Reader	
CQT QuantumIII	2	RC RCU EC ECU (Messenger not an option)	0 Standard 1 relay	1 Surface (RCU Only) 2 Flush	1 Single	N No Primary Messenger: (RCU Only) A Zigbee N. America (158mW) B Zigbee Europe / Asia (10mW) C Zigbee International (87mW) D Inncom RF E Crestron F Telkonet X Messenger Ready	B BLE Ready C BLE Enabled D Hilton BLE* *Hilton BLE only for Hilton Properties	0 Standard	0 Standard	0 Standard B Ocean Shipping	Without Messenger: SB Satin Brass SC Satin Chrome OZ Dark Mahogany BB Bright Brass BC Bright Chrome BK Black With Messenger: BL Black BR Brown IV Ivory WH White	BK Black	

Magnet Kits													
Style	Version	Function	Relay/Mag Kit	Mount	Reader	Communication		Reader	Custom			Finish	
CQT QuantumIII	2	RC RCU	F PIR Sensor G Pushbar 36" Door H Pushbar 48" Door	1 Surface 2 Flush	1 Single Magnet 2 Dual Magnet	N No Primary Messenger: A Zigbee N. America (158mW) B Zigbee Europe / Asia (10mW) C Zigbee International (87mW) D Inncom RF E Crestron F Telkonet X Messenger Ready	B BLE Ready C BLE Enabled D Hilton BLE* *Hilton BLE only for Hilton Properties	0 Standard	0 Standard	0 Standard B Ocean Shipping	Without Messenger: SB Satin Brass SC Satin Chrome OZ Dark Mahogany BB Bright Brass BC Bright Chrome With Messenger: BL Black BR Brown IV Ivory WH White	BK Black	

Saflok QuantumIII RFID Remote/Elevator Control Unit (RCU/ECU)

Ordering

Screwless Kit

Build the model number with the desired options

Style	Version	Function	Relay/Mag Kit	Mount	Reader	Communication		Reader	Custom			Finish	
C Q	2	R C	0	2	1	N		0	0				
						Primary	Secondary	Reader	PCB	Packout	Faceplate	Reader	

Style	Version	Function	Relay/Mag Kit	Mount	Reader	Communication		Reader	Custom			Finish	
						Primary	Secondary		PCB	Packout	Faceplate	Reader	
CQT QuantumIII	2	RC RCU	0 Standard 1 relay	2 Flush	1 Single	N No Primary Messenger: A Zigbee N. America (158mW) B Zigbee Europe / Asia (10mW) C Zigbee International (87mW) D Inncom RF E Crestron F Telkonet X Messenger Ready	B BLE Ready C BLE Enabled D Hilton BLE* *Hilton BLE only for Hilton Properties	0 Standard	0 Standard	0 Standard B Ocean Shipping	BS Black Screwless BT Brown Screwless VS Ivory Screwless WS White Screwless AL Almond Screwless GR Gray Screwless LA Light Almond Screwless BE Beige Screwless TP Taupe Screwless SI Sienna Screwless	BK Black	

Saflok QuantumIII RFID Multi Channel Controller (MCC/EMCC)-Multi Floor Controller (MFC)

Ordering

Standard Model (Example)																			
Style	Version	Function	Relay/Mag Kit	Mount	Reader	Communication		Custom			Finish								
C	Q	T	2	-	M	C	1	2	1	N	B	O	O	O	S	B	/	B	K
							Primary	Secondary	Reader	PCB	Packout	Faceplate	Reader						

Build the model number with the desired options																			
Style	Version	Function	Relay/Mag Kit	Mount	Reader	Communication		Custom			Finish								
C	Q	T	2	-						O	O						/	B	K
							Primary	Secondary	Reader	PCB	Packout	Faceplate	Reader						

Style	Version	Function	Relay/Mag Kit	Mount	Reader	Communication		Reader	Custom			Finish	
						Primary	Secondary		PCB	Packout	Faceplate	Reader	
CQT QuantumIII	2	MC MCC ME EMCC MF MFC	MCC: 1 8 relay 2 12 relay EMCC: 3 16 relay 5 32 relay 6 48 relay 7 64 relay 8 80 relay 9 96 relay A 112 relay B 128 relay MFC: 1 8 relay 3 16 relay 4 24 relay 5 32 relay	2 Flush	1 Single 2 Dual	MCC: N BLE Ready 1 No Primary C Go Far BLE Enabled 2 Go Far International EMCC: 1 Go Far 2 Go Far International MFC: 1 North America 2 International	B BLE Ready C BLE Enabled D Hilton BLE* *Hilton BLE only supports MFC with up to 12 channels and must be configured as a pass device. EMCC Does not support Hilton BLE	0 Standard	0 Standard	0 Standard B Ocean Shipping	SB Satin Brass SC Satin Chrome OZ Dark Mahogany BB Bright Brass BC Bright Chrome BK Black	BK Black	

*Hilton BLE only supports MFC with up to 12 channels and must be configured as a pass device.
EMCC Does not support Hilton BLE

Saflok QuantumIV RFID Remote/Elevator Control Unit (RCU/ECU)

Ordering

Standard Model (Example)																			
Style	Version	Function	Relay/Mag Kit	Mount	Reader	Communication		Custom			Finish								
C	Q	F	2	-	R	C	0	1	1	N	B	0	0	0	S	B	/	S	B
							Primary	Secondary	Reader	PCB	Packout	Faceplate	Reader						

Build the model number with the desired options																			
Style	Version	Function	Relay/Mag Kit	Mount	Reader	Communication		Custom			Finish								
C	Q	F	2	-						0	0								
							Primary	Secondary	Reader	PCB	Packout	Faceplate	Reader						

Style	Version	Function	Relay/Mag Kit	Mount	Reader	Communication		Custom			Finish	
						Primary	Secondary	Reader	PCB	Packout	Faceplate	Reader
CQF QuantumIV	2	RC RCU EC ECU (Messenger not an option)	0 Standard 1 relay	1 Surface (RCU Only) 2 Flush	1 Single	N No Primary Messenger: (RCU Only) A Zigbee N. America (158mW) B Zigbee Europe / Asia (10mW) C Zigbee International (87mW) D Inncom RF E Crestron F Telkonet X Messenger Ready	B BLE Ready C BLE Enabled D Hilton BLE* *Hilton BLE only for Hilton Properties	0 Standard	0 Standard	0 Standard B Ocean Shipping	Without Messenger: SB Satin Brass SC Satin Chrome OZ Dark Mahogany BB Bright Brass BC Bright Chrome BK Black With Messenger BL Black BR Brown IV Ivory WH White	SB Satin Brass SC Satin Chrome OZ Dark Mahogany BB Bright Brass BC Bright Chrome SN Satin Nickel BK Black

Magnet Kits												
Style	Version	Function	Relay/Mag Kit	Mount	Reader	Communication		Custom			Finish	
CQF QuantumIV	2	RC RCU	F PIR Sensor G Pushbar 36" Door H Pushbar 48" Door	1 Surface 2 Flush	1 Single Magnet 2 Dual Magnet	N No Primary Messenger: A Zigbee N. America (158mW) B Zigbee Europe / Asia (10mW) C Zigbee International (87mW) D Inncom RF E Crestron F Telkonet X Messenger Ready	B BLE Ready C BLE Enabled D Hilton BLE* *Hilton BLE only for Hilton Properties	0 Standard	0 Standard	0 Standard B Ocean Shipping	Without Messenger: SB Satin Brass SC Satin Chrome OZ Dark Mahogany BB Bright Brass BC Bright Chrome With Messenger: BL Black BR Brown IV Ivory WH White	SB Satin Brass SC Satin Chrome OZ Dark Mahogany BB Bright Brass BC Bright Chrome SN Satin Nickel BK Black

Saflok QuantumIV RFID Remote/Elevator Control Unit (RCU/ECU)

Ordering

Screwless Kit

Standard Model (Example)															
Style			Version	Function		Relay/Mag Kit	Mount	Reader	Communication		Custom		Finish		
C	Q	F	2	R	C	0	2	1	N	B	0	0	0	B S / S B	
									Primary	Secondary	Reader	PCB	Packout	Faceplate	Reader

Build the model number with the desired options															
Style			Version	Function		Relay/Mag Kit	Mount	Reader	Communication		Custom		Finish		
C	Q	F	2	R	C	0	2	1	N		0	0			
									Primary	Secondary	Reader	PCB	Packout	Faceplate	Reader

Style	Version	Function	Relay/Mag Kit	Mount	Reader	Communication		Custom			Finish	
						Primary	Secondary	Reader	PCB	Packout	Faceplate	Reader
CQF QuantumIV	2	RC RCU	0 Standard 1 relay	2 Flush	1 Single	N No Primary Messenger: A Zigbee N. America (158mW) B Zigbee Europe / Asia (10mW) C Zigbee International (87mW) D Inncom RF E Crestron F Telkonet X Messenger Ready	B BLE Ready C BLE Enabled D Hilton BLE* *Hilton BLE only for Hilton Properties	0 Standard	0 Standard	0 Standard B Ocean Shipping	BS Black Screwless BT Brown Screwless VS Ivory Screwless WS White Screwless AL Almond Screwless GR Gray Screwless LA Light Almond Screwless BE Beige Screwless TP Taupe Screwless SI Sienna Screwless	SB Satin Brass SC Satin Chrome OZ Dark Mahogany BB Bright Brass BC Bright Chrome SN Satin Nickel BK Black

Saflok QuantumIV RFID Multi Channel Controller (MCC/EMCC)-Multi Floor Controller (MFC)

Ordering

Standard Model (Example)															
Style			Version	Function		Relay/Mag Kit	Mount	Reader	Communication		Custom		Finish		
C	Q	F	2	M	C	1	2	1	N	B	0	0	0	S	B
									Primary	Secondary	Reader	PCB	Packout	Faceplate	Reader

Build the model number with the desired options															
Style			Version	Function		Relay/Mag Kit	Mount	Reader	Communication		Custom		Finish		
C	Q	F	2				2				0	0		S	B
									Primary	Secondary	Reader	PCB	Packout	Faceplate	Reader

Style	Version	Function	Relay/Mag Kit	Mount	Reader	Communication		Reader	Custom			Finish			
						Primary	Secondary		PCB	Packout	Faceplate	Reader			
CQF QuantumIV	2	MC MCC	MCC:	2 Flush	1 Single 2 Dual	MCC:	B	0 Standard	0 Standard	0 Standard	B Ocean Shipping	SB	SB		
			1			N	BLE Ready						Satin Brass	Satin Brass	
			8 relay			No Primary									
			2			C	BLE Enabled						SC	Satin Chrome	Satin Chrome
			12 relay			1	Go Far						OZ	Dark Mahogany	Dark Mahogany
						2	Go Far International						OZ	Dark Mahogany	Dark Mahogany
						D	Hilton BLE*						BB	Bright Brass	Bright Brass
													BB	Bright Brass	Bright Brass
						EMCC:							BC	Bright Chrome	Bright Chrome
						3	16 relay						BK	Black	Black
						5	32 relay								
						6	48 relay								
						7	64 relay								
						8	80 relay								
						9	96 relay								
		MFC:													
		1	8 relay												
		3	16 relay												
		4	24 relay												
		5	32 relay												

*Hilton BLE only supports MFC with up to 12 channels and must be configured as a pass device.
EMCC Does not support Hilton BLE



JW Marriott San Antonio, Texas
Saflok Quantum lock

Exit Device Hardware

Overview

dormakaba offers a series of exit device hardware that is compatible with mechanical and electrical applications. This hardware is manufactured for the most demanding access/egress applications.

Vertical Rod Exit Device: The Dorma 9400 series is a surface-mounted vertical rod exit device with a modern touch bar design.

Rim Exit Device: The Dorma 9300 series is a single-point rim latch with a modern touch bar design.

**dormakaba Panic Bar Locks,
Combining the Best Features – Inside and Out**

- Easy-to-install mechanical interface eliminates the need for an electrician
- No wires running through the door, frame, or hinges
- Self-contained battery allows up to 60,000 entries or up to 3 years for Confidant RFID
- ANSI Grade 1 rating
- Auditable entries
- Auto latch/unlatch feature makes manual dogging unnecessary
- UL fire rated (optional)



**Dorma 9300 Series Rim Exit Device
Dorma 9400 Series Vertical Rod Exit Device**

Hand	Non-handed
Stock	36" door width (standard); 48" door width available at an upcharge
Door Types	Wood, hollow metal, fiberglass, or aluminum
Door Requirements	Fits standard 1 3/4" - 2 1/4" doors
Mounting height	40" above finished floor
Stile Width	4 5/8" with standard 99 strike 4 1/8" with optional 98 strike
Latch Bolts	Stainless steel dead-locking; Pullman-type top latch
Finishes*	Bright Brass Satin Brass Bright Stainless Steel Satin Stainless Steel
Other panic bar options available *Check availability of finish for corresponding lock	



Available locks



Confidant RFID

Saflok RT

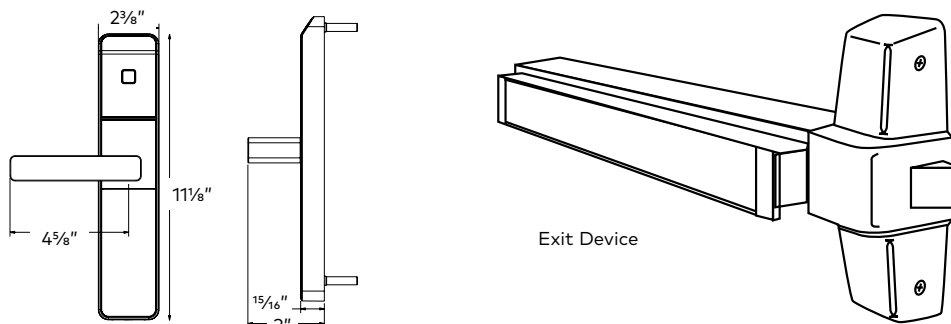
Saflok MT

Saflok MT RFID

Saflok ödese

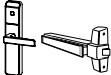
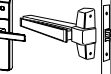
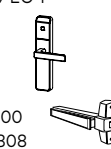
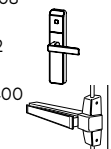

Exit Device Operator Confidant RFID

Ordering



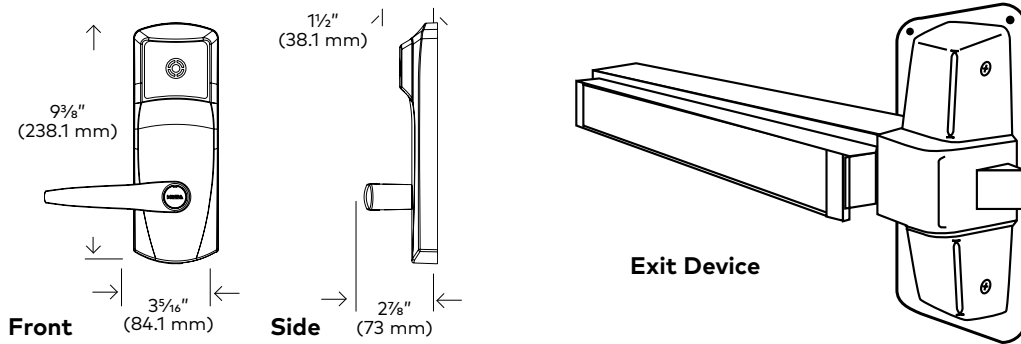
Standard Model Number - Exit Device Operator - NA (Example)											
C	S	00	0	-	1	7	S	R	1	-	C
Lock Model		Bluetooth		Installation Options			Finish				

Build the model number with the required options											
C	S			-						-	
Lock Model		Bluetooth		Installation Options			Finish				

Lock Model		Bluetooth		Installation Options				Finish	
Confidant RFID (Fixed value)	System	Operating System	Bluetooth	Model	Type of Exit Device	Outside Lever	Handing	Door Thickness	Finish
C	S Saflok 3 Dummy Trim	00 Standalone MO Messenger ready M1 Messenger US	0 No BLE 1 BLE Ready (soon available) 2 BLE Enabled (soon available)	1 Rim Operator Device Outdoor front lock housing. Includes Dorma exit device.	7 Dorma 9300 	S Short Return L Long Return	R Right L Left	1 1 3/4" - 2" (46-53mm) 2 >2" - 2 1/4" (53-57mm) Return	C Satin Chrome E Satin Chrome Exterior U Satin Chrome Oceanfront B Satin Brass H Satin Brass Exterior
				2 Mortise Operators Outdoor front lock housing. Exit device not included.	0 Von Duprin 9875, 9975EO-F A Arrow S3908, S1908 				
				3 Rim Operators Outdoor front lock housing. Exit device not included.	0 Von Duprin 98/99 EO-F 1 Arrow S3888 2 Yale 7100-36 5 Precision 21, FL21 6 Detex 10, FL10 7 Dorma 9300/F9300 8 Arrow S1808, S3808 9 Detex V40 H Hager 4500 				
				4 Vertical Rod Surface Mount Operators Outdoor front lock housing. Exit device not included.	0 Von Durpin 9827, 9927EO-F 1 Arrow S3708, A1708 2 Yale 7170 5 Precision 22, FL22 6 Detex 20, FL20 7 Dorma 9400/F9400 S Sargent 8710 H Hager 4500 				
				5 Vertical Rod Concealed Operators Outdoor front lock housing. Exit device not included.	0 Von Durpin 9847, 9947EO-F 2 Yale 7160 7 Dorma 9100 				

Saflok RT Panic Bar Trim

Ordering



Standard Model (Example)											
7	9	S	1	7	2	1	E	N	6	0	1-6-2-6
Model				Type of Exit Device	RFID	Lever	Override	Handing	Version	Bluetooth	Door Thickness Finish

Build the model number with the desired options														
7	9	E			2				6		-			
Model				Type of Exit Device	RFID	Lever	Override	Handing	Version	Bluetooth	Door Thickness	Finish		

Model	Type of Exit Device	Lever Type	Override	Handing	Version	Bluetooth	Door Thickness	Finishes
79S1 Rim Operator Device Outdoor front lock housing. Includes Dorma exit device.	7 Dorma 9300	2 1 Long/Front	E Electronic K Mechanical key cylindrical Lori Universal (1539) key-in-knob OR E Mechanical recordable key cylinder key-in-knob Note: Gala and Elevon levers only available with electronic override	N Standard ----- ** For Elevon lever or vertical rod surface mount with BLE X Left Hand Reverse Y Right Hand Reverse	6 Contactless Reader	0 No BLE 1 BLE Ready 2 BLE Enabled	1 1 3/4" - 2" (46-53 mm) 2 > 2" - 2 1/4" (53-57 mm) For door thickness 2 (> 2" - 2 1/4") 10 weeks lead time required.	626 Satin Chrome 606 Satin Brass U26 Satin Chrome Supreme Finish
79S2 Mortise Operators Outdoor front lock housing. Exit device not included.	0 Von Duprin 9875,9975EO-F A Arrow S3908,S1908 7 Dorma 9500	2 Short/Front E Elevon/Front G Gala/Front						
79S3* Rim Operators Outdoor front lock housing. Exit device not included.	0 Von Duprin 98/99 EO-F 1 Arrow S3888 2 Yale 7100-36 5 Precision 21,FL21 6 Detex 10, FL10 7 Dorma 9300/F9300 8 Arrow S1808,S3808 9 Detex V40 H Hagar 4500 M Monarch 18-R C Corbin Russwin 5200							
79S4* Vertical Rod Surface Mount Operators Outdoor front lock housing. Exit device not included.	0 Von Duprin 9827,9927EO-F 1 Arrow S3708,S1708 2 Yale 7170 5 Precision 22,FL22 6 Detex 20, FL20 7 Dorma 9400/F9400 H Hagar 4500 S Sargent 8710 C Corbin Russwin 5200							
79S5 Vertical Rod Concealed Operators Outdoor front lock housing. Exit device not included.	0 Von Duprin 9847,9947EO-F 2 Yale 7160 7 Dorma 9100/F9100							

Exit Device Operator

- Allows exit doors equipped with panic devices to act as controlled entrances
- Weight: 3lbs (1.3kg)
- Minimum door style required 5" (127mm)
- Supplied with gasket kit for exterior doors
- All fitted with adaptor plates

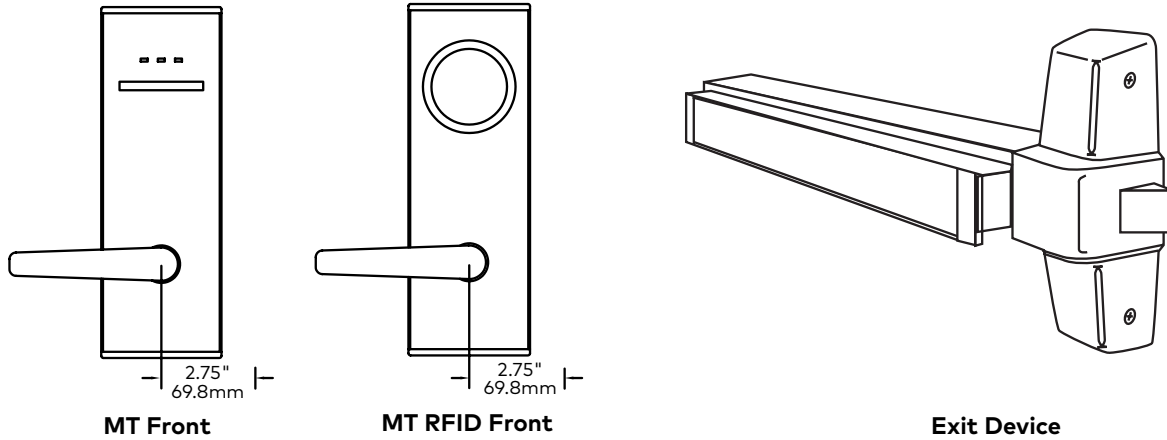
Exit Device

- Two finishes available: satin chrome and satin brass
- * For compatibility with Arrow S3808, S1808, S3708, S1708 order square spindle to cross-point spindle adaptor (part# 032-511055)
- ** For Messenger ready order 79R model, for Online order 79Z (79Y for Europe and Asia or 79Q for International)



Saflok MT Series Exit Device

Ordering



Standard model number (Continue building the model number to the right)

Model	Version	Panic Device	Device Type	Communication	Application
P M T	2	-	O	N (Primary) N (Secondary)	O

Build the model number with the desired options (Continue building the model number to the right)

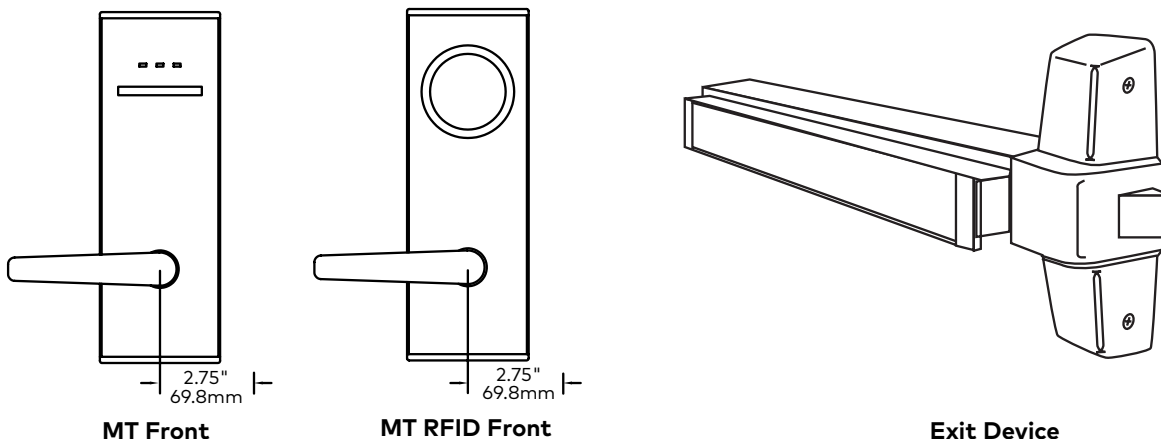
Model	Version	Panic Device	Device Type	Communication	Application
P M <input type="text"/>	2	-	<input type="text"/>	<input type="text"/> (Primary) <input type="text"/> (Secondary)	<input type="text"/>

Model	Version	Panic Device	Device Type	Communication		Application
				Primary	Secondary	
PMT MT Card Exit Device	3	A AEB4200R Series* (Rim Only)	O No Bar	N No Primary	Mag Card / Dummy:	O Interior
PMR MT RFID Exit Device	2	B Detex (Advantex) 10 Series (Rim Only)* C Detex (Advantex) 20 Series (Vert Only)* D Dorma 9300 (Rim Only) E Dorma 9400 (Vert Only) F Falcon 25 Series (Rim Only) G Phi Series FI21* (Rim Only) H Phi Series FI22* (Vert Only) J Sargent 8713* (Vert Only; Square Spindle) K Sargent 8715* (Vert Only; Bladed Spindle) L Sargent 8888F* (Rim Only) M Von Duprin 88 N Von Duprin 98 P Von Duprin 99 Q Yale 2100 Series* R Yale 7100 Series* S Hager 4500 Series*	Rim Devices: 1 Rim 36" Std Bar 2 Rim 36" Fire Rated Bar 3 Rim 48" Std Bar 4 Rim 48" Fire Rated Bar Vertical Rod Devices: 5 Vertical 36" Std Bar 6 Vertical 36" Fire Rated Bar 7 Vertical 48" Std Bar 8 Vertical 48" Fire Rated Bar	X Primary Ready A Zigbee N. America (158mW) B Zigbee Europe / Asia (10mW) C Zigbee International (87mW) D Inncom RF E Crestron F Telkonet	N No Secondary RFID: A BLE Compatible G BLE Mod Bracket H Hilton BLE Mod Bracket* *Hilton BLE only for Hilton Properties	E Exterior

Note: *Bar not offered

Saflok MT Series Exit Device

Ordering



Standard model number (Continued)

Lever		Handing		Door Size		Optional Adjustment		Finish	
A	O	L	A	N	O	O	O	S	B
Type	Position		Thickness	Height/Offset	Outside	Inside	Packout		

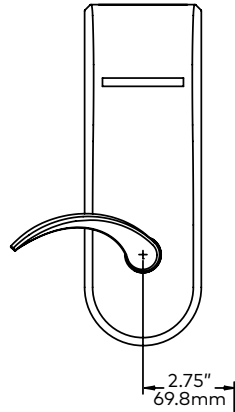
Build the model number with the desired options (Continued)

Lever		Handing		Door Size		Optional Adjustment		Finish	
<input type="checkbox"/>	O	<input type="checkbox"/>	<input type="checkbox"/>	<input type="checkbox"/>	<input type="checkbox"/>	<input type="checkbox"/>	<input type="checkbox"/>	<input type="checkbox"/>	<input type="checkbox"/>
Type	Position		Thickness	Height/Offset	Outside	Inside	Packout		

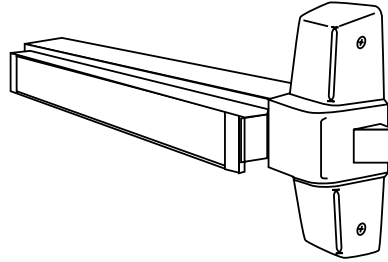
Lever		Handing	Door Size		Outside	Optional Adjustment		Packout	Finish					
Type	Position		Thickness	Height/Offset		Inside								
A Arc	O Standard	L Left Hand	A 1.75" (44mm)	N Standard	O Standard	O Standard	O Standard	O Standard	BB Bright Brass					
C Continental			B 1.38" (35-40mm)							B 8' Door (Vert)	A Plain Lens (RFID Only)	D Dummy	B Ocean Shipment	BC Bright Chrome
E Elevon			C 2.00" (51mm)							C 9' Door (Vert)	L Marriott Lens (RFID Only)*	M Dummy W/Messenger Cap		BK Black
G Gala			D 2.25" (57mm)							D 10' Door (Vert)	*Marriott lens only for Marriott properties			OZ Dark Mahogany
K Regal Knob			E 2.38" (60mm)											SC Satin Chrome
P Apogee			F 2.50" (63.5mm)											SN Satin Nickel
T Troy			G 2.87"-3.00" (73-76mm)											SB Satin Brass
			H 3.03" (77mm)											
			J 3.35" (85mm)											
			K 3.90" (100mm)											
			*Any door thickness above 1.75 will require engineering approval and possible custom parts											

Saflok ädäse Exit Device

Ordering



ädäse Front



Exit Device

Standard model number (Continue building the model number to the right)

Model	Version	Panic Device	Device Type	Communication	Application
P X T	3	- A	O	N (Primary) N (Secondary)	O

Build the model number with the desired options (Continue building the model number to the right)

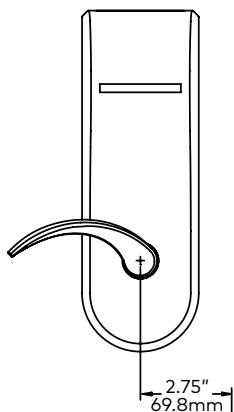
Model	Version	Panic Device	Device Type	Communication	Application
P X T	3	-			

Model	Version	Panic Device	Device Type	Communication		Application
				Primary	Secondary	
PXT ädäse Exit Device	3	A AEB4200R Series* (Rim Only) B Detex (Advantex) 10 Series (Rim Only)* C Detex (Advantex) 20 Series (Vert Only)* D Dorma 9300 (Rim Only) E Dorma 9400 (Vert Only) F Falcon 25 Series (Rim Only) G Phi Series FI21* (Rim Only) H Phi Series FI22* (Vert Only) J Sargent 8713* (Vert Only; Square Spindle) K Sargent 8715* (Vert Only; Bladed Spindle) L Sargent 8888F* (Rim Only) M Von Duprin 88 N Von Duprin 98 P Von Duprin 99 Q Yale 2100 Series* R Yale 7100 Series* S Hager 4500 Series*	O No Bar Rim Devices: 1 Rim 36" Std Bar 2 Rim 36" Fire Rated Bar 3 Rim 48" Std Bar 4 Rim 48" Fire Rated Bar Vertical Rod Devices: 5 Vertical 36" Std Bar 6 Vertical 36" Fire Rated Bar 7 Vertical 48" Std Bar 8 Vertical 48" Fire Rated Bar	N No Primary X Primary Ready A Zigbee N. America (158mW) B Zigbee Europe / Asia (10mW) C Zigbee International (87mW) D Inncom RF E Crestron F Telkonet	N No Secondary	O Interior E Exterior

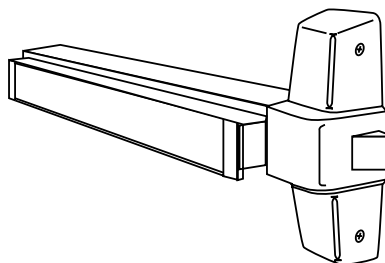
Note: *Bar not offered

Saflok ädäse Exit Device

Ordering



ädäse Front



Exit Device

Standard model number (Continued)

Lever	Handing	Door Size	Optional Adjustment	Finish
A	O	A	O	S B
Type	Position	Thickness	Inside	
		Height/Offset	Packout	
		Outside		

Build the model number with the desired options (Continued)

Lever	Handing	Door Size	Optional Adjustment	Finish
	O			
Type	Position	Thickness	Inside	
		Height/Offset	Packout	
		Outside		

Lever		Handing	Door Size		Outside	Optional Adjustment		Packout	Finish
Type	Position		Thickness	Height/Offset		Inside			
A Arc	O Standard	L Left Hand	A 1.75" (44mm)	N Standard	O Standard	O Standard	O Standard	BB Bright Brass	
C Continental		R Right Hand	B 1.38" (35-40mm)	B 8' Door (Vert)		D Dummy	B Ocean Shipment	BC Bright Chrome	
E Elevon			C 2.00" (51mm)	C 9' Door (Vert)				BK Black	
G Gala			D 2.25" (57mm)	D 10' Door (Vert)				OZ Dark Mahogany	
K Regal Knob			E 2.38" (60mm)					SC Satin Chrome	
P Apogee			F 2.50" (63.5mm)					SN Satin Nickel	
T Troy			G 2.87"-3.00" (73-76mm)					SB Satin Brass	
			H 3.03" (77mm)					* Knob Only Available in BB, BS, SB, SS	
			J 3.35" (85mm)					* Continental Not Available In SN	
			K 3.90" (100mm)					* Only SC, BC, OZ, and BK approved for exterior application	
			*Any door thickness above 1.75 will require engineering approval and possible custom parts						

E-Plex 2000 Series

System Overview

The E-Plex 2000 combines the strength, simplicity and reliability of our industry leading pushbutton locks with the enhanced features and convenience of electronic access control. PIN access eliminates the cost and problems of issuing and managing keys or magnetic cards. You will no longer need to collect or change credentials each time there is a user change or a credential is lost or stolen.

- 100 access codes – including user and service levels
- Cylindrical latch
- Simple to install and maintain
- Easy to manage – no software required
- Key override available

Easy to Install

The E-Plex 2000 easily installs on wood or metal doors with ASA 161 door prep. Three through bolts secure the lock to the door. The installation requires no wiring to or through the door, eliminating the risk of damage pinched wires. The E-Plex 2000 is non-handed and field reversible accommodates both left- and right-hand doors. The rugged and weather-resistant external housing can be mounted outdoors and includes installation gasket

Easy to manage

The E-Plex 2000 provides the flexibility to control hotel back-of-house access points according to security needs during the business day. Users and locks are easily managed at the door with simple keypad programming. Multiple operation modes include PIN entry, passage and lockout. Passage mode can be activated by authorized user with assigned PIN and pre-programmed to re-lock after a certain number of hours.

Four authority levels give you control over who has access to various lock functions:

- Master level – performs all set-up and programming functions
- Manager level – administers common programming functions
- Access user level – entry granted with valid PIN
- Service level – codes for single event or single day access, programmable in advance

Easy to use

The E-Plex 2000's user friendly design is equipped with ADA compliant levers. Programmable user parameters customize the lock to the needs of different access points.

Audio and visual indicators notify users when access is granted or denied. User access code length can be set from 4 to 8 digits. Time interval between combination entry and relocks is variable from 2 to 20 seconds. Anti-tamper feature disables the lock after multiple invalid combination entries – set for between 3 to 9 attempts and up to 90 seconds



E-Plex 2000

E-Plex 2000 Series

System Overview

Lock Specifications

Access Control:	Electronic pushbutton
Locking Device:	Cylindrical latch with UL 10C fire rating
Number of Codes:	100 access codes per door; over 100 million possible code combinations
Programming:	Locks are easily programmed via keypad
Handing:	Non-handed, pre-assembled for left-hand door installations - easily changed in the field
Key Override (Optional):	Key-in-lever cylinder in Schlage C Keyway with black Kaba cap (as shown)
Operation Modes:	3 operation modes: PIN access; Lockout; Passage (can be toggled on / off or can be pre-programmed to re-lock after a certain number of hours)
Authority Levels:	Four different levels allow you to control who has access to specific lock functions, including Service Codes - programmed for one time access or "come and go" access for 1 to 24 hours
User Parameters:	Code length: Adjustable to accept 4 to 8 digits Anti-tamper lockout: Adjustable from 3 to 9 invalid attempts with an adjustable period of 0 to 90 seconds Re-lock time: Adjustable from 2 to 20 seconds
Battery Operation:	Batteries located in exterior housing; offers quick and easy battery replacements for institutions (Three AA Alkaline batteries provide more than 100,000 cycles) Lock data is maintained if batteries fail
Warranty:	Two-year warranty from date of installation; built-in warranty counter in lock memory

Mechanical Features

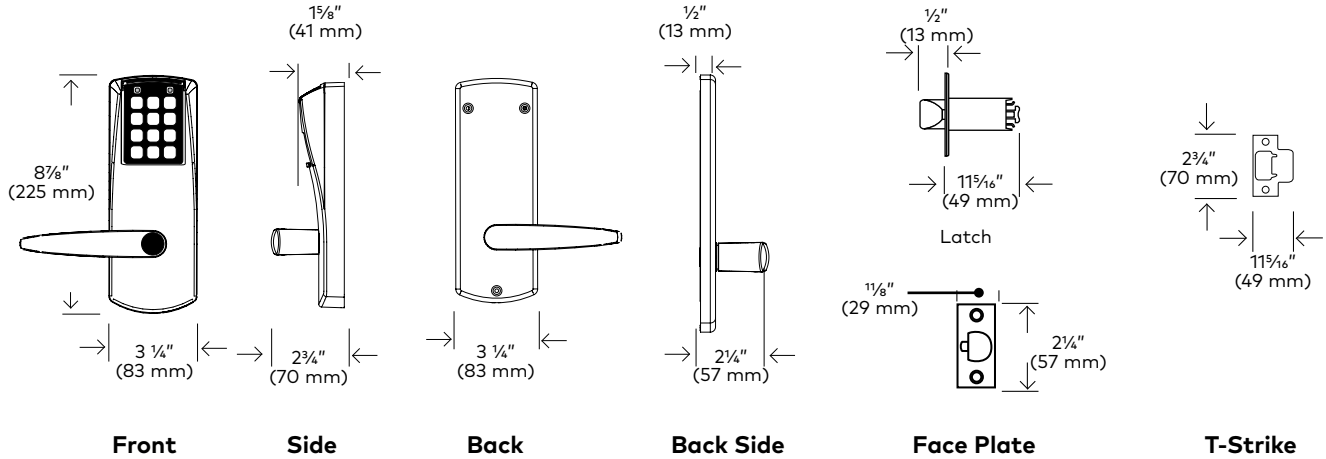
Construction:	Light-duty commercial cylindrical lockset, solid cast exterior housing, solid cast levers, cylindrical drive wear tested for extensive use in indoor and outdoor applications
Numeric Keypad:	Vandal resistant, solid metal pushbuttons
Finishes:	Satin Chrome (626) or Satin Brass (606) housings & levers
Backsets:	2 ¾" (70 mm), 2 ⅜" (60 mm)
Latch:	½" (13 mm) latch, ¾" (19 mm) latch (optional)
Recommended Minimum Stile:	5" (127 mm)
Weight:	8 lbs. (3.63 kg)
Door Preparation:	Easily installs on wood or metal doors. ASA 161 door preparation with 3 additional through bore holes
Door Thickness:	Pre-assembled to accommodate doors 1 ⅝" (41 mm) to 2" (50 mm)

Certifications and Testing

Accessibility standard:	Americans with Disabilities Act (ADA)
Fire rating:	UL 10C Fire rated
Environmental	Indoor/Outdoor Approved -31° F (-35° C) to + 151° F (66° C)

E-Plex 2000 Series (Cylindrical Lock)

Ordering



Build the model number with the desired options						
Model	Function	Locking Device	Override	Lever Style	Finish	Packaging
E 2 0	3	<input type="checkbox"/>	<input type="checkbox"/> <input type="checkbox"/>	L L	<input type="checkbox"/>	4 1

Model	Function	Locking Device	Key Override	Lever Style	Finishes	Packaging
E20 2000 Series Cylindrical lock	3 Cylindrical Lock	1 1/2" (13 mm) throw latch floating face plate 2 3/4" Backset 2 1/2" (13 mm) throw latch floating face plate 2 3/8" Backset	LEAVE BLANK for Solid Lever without Key Override XS Key-In-Lever, Kaba Cylinder included, Schlage C keyway	LL Lever- Long	626 Satin Chrome 606 Satin Brass	41 1 per box
Items supplied with the lock <ul style="list-style-type: none"> • Installation Manual • Full-scale template • Hardware required for installations. • Key-in-lever model supplied with Kaba high security 1539 Schlage C keyway. 						

Lock Accessories

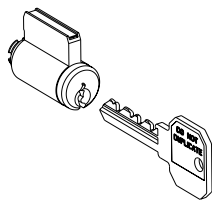
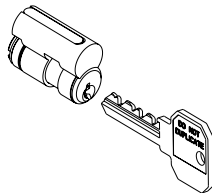
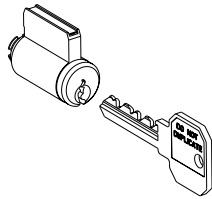


Cores, Cylinders for Saflok RT Series

Ordering

Standard Model (Example)				
Model	Pins	Keyway	Finish	Keying
9	6	3	4	□ □ □

Build the model number with the desired options				
Model	Pins	Keyway	Finish	Keying
□	□	□	4	□ □ □



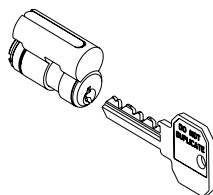
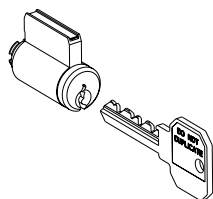
Models	Pins	Keyway	Finish	Keying
9 Lori Cylinder Compatible Locks: Generation E760 Generation E730 Solitaire 710-II Solitaire 720-II SolitaireSMART Oracode 660 Oracode 4400 770 Series	6 6 Pins 7 7 Pins	3	4B Satin Brass ANSI 606	KA Keyed Alike KAI Keyed Alike by Group MK Master Keyed (for Shabbat Compliance)
8 Unican Core Compatible Locks: SolitaireSMART Solitaire 710 Solitaire 720 System 700-II	6 6 Pins 7 7 Pins	3 Lori 1 RMO 2 North American Project order	4 Satin Brass ANSI 606	KA Keyed Alike KAI Keyed Alike by Group MK Master Keyed (for Shabbat Compliance)
9 Recodeable Lori Cylinder Compatible Locks: Generation E760 Generation E730 Oracode 660 Oracode 4400 Solitaire 710-II Solitaire 720-II 770 Series	6 6 Pins	3	4R Satin Brass ANSI 606	KA3 Three Combinations in One Cylinder

Keys for Saflok RT Series

Ordering

Standard Model (Example)			
Model	Pins	Keyway	Key
9	6	3	E <input type="text"/>

Build the model number with the desired options			
Model	Pins	Keyway	Key
<input type="text"/>	<input type="text"/>	<input type="text"/>	<input type="text"/> <input type="text"/>



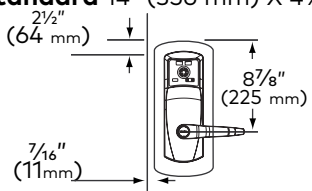
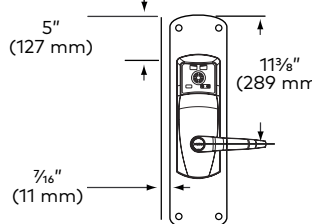
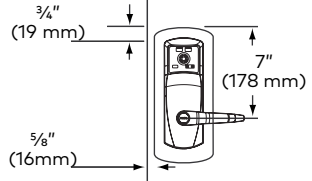
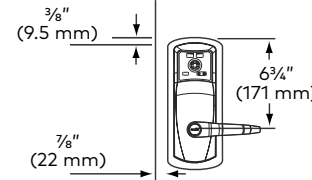
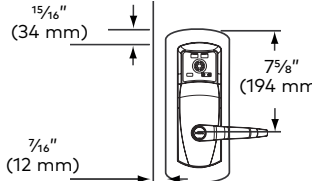
Models	Pins	Keyway	Key
9 Key for Lori Cylinder	6 6 Pins	3	E Entry M Master EM Individual Entry under a Master
8 Key for Unican Core	6 6 Pins 7 7 Pins	1 RMO 2 North American Project order	E Entry C Control M Master EG Entry under a group CM Control under a Master CG Control under a Group EM Individual Entry under a Master
9 Recodable Key Kit	6 6 Pins	3	0 Recodable Key Kit

Decorative Plates for Saflok RT Series

Ordering

Specifications

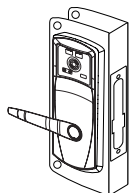
Mounting screws and washers included where applicable. All plates are 1/32" (0.8 mm) thick. Compatible with mortise (ASM, ESM) and cylindrical lock.

Availability	Location	Finish	Plate Number
Standard 14" (356 mm) X 4 5/8" (117 mm) 	<div style="border: 1px solid black; padding: 2px; width: fit-content;">Compatible with inside trim for Messenger/Bluetooth</div> Indoor/Outdoor Indoor/Outdoor	Stainless Steel PVD Satin Brass	061-513071-630 061-513071-906
Long 17 1/2" (445 mm) X 4 5/8" (117 mm) 	<div style="border: 1px solid black; padding: 2px; width: fit-content;">Compatible with inside trim for Messenger/Bluetooth</div> Indoor/Outdoor Indoor/Outdoor	Stainless Steel PVD Satin Brass	062-513073-630 062-513073-906
Short 10 1/2" (242 mm) X 4 5/8" (117 mm) 	Indoor/Outdoor Indoor/Outdoor	Stainless Steel PVD Satin Brass	061-513070-630 061-513070-906
Retrofit Plate 10 1/16" (256 mm) X 3 3/4" (95 mm) 	Indoor/Outdoor Indoor/Outdoor	Stainless Steel PVD Satin Brass	061-513072-630 061-513072-906
Retrofit Plate II 10 7/8" (277 mm) X 4 5/8" (118 mm) 	Indoor/Outdoor Indoor/Outdoor	Stainless Steel PVD Satin Brass	061-513490-630 061-513490-906

Wrap plates Plated C.R. Steel, Solid Brass, Stainless Steel. Mounting screws and washers included. Non-handed. All plates are 1/32" (0.8 mm) thick.

Wrap 1 3/4" (44 mm) X 15 1/16" (399 mm) X 5 1/2" (140 mm)

Standard (ASM) Mortise 1 1/4" face plate for RT Series



Mortise

Compatible with inside trim for Messenger/Bluetooth

Indoor
In/Outdoor

Satin Brass
Stainless Steel

062-513075-906
062-513075-630

I don't have the PSD to remove lock



Motor City Casino Detroit, Michigan
Saflok ädäsē lock with System 6000

Confidant RFID

Decorative Plates


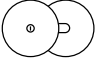
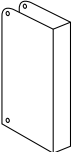
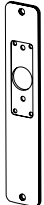
Specifications:

Mounting screws and washers included where applicable. All plates are 1/32" (0.8 mm) thick.

	Location	Finish	Plate Number
	Retrofit Plate 313mm x 90 mm Indoor/Outdoor Indoor / Outdoor	Satin Chrome Satin Brass	061-514185-630 061-514185-906
	Retrofit Plate II 425 mm x 90 mm Suggested for Vingcard retrofit Indoor/Outdoor Indoor / Outdoor	Satin Chrome Satin Brass	061-514185-2630 061-514185-2906
	Retrofit Plate II for Bluetooth/Messenger (inside side only) 425 mm x 90 mm Suggested for Vingcard retrofit Indoor Indoor	Satin Chrome Satin Brass	061-514185-4630 061-514185-4906
	Retrofit Plate III 350mm x 90mm Suggested for Cisa & Onity retrofit Plate Indoor/Outdoor Indoor / Outdoor	Satin Chrome Satin Brass	061-514185-3630 061-514185-3906

Miscellaneous Plates

Ordering


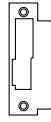
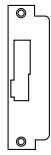
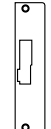
	Dimensions	Finish	Part Number
Door Filler Plates 	23/4" x 11/8" (70 x 29 mm) 21/4" x 11/8" (57 x 24 mm) 21/4" x 11/8" (57 x 29 mm)	Prime Coat Steel Prime Coat Steel Brass Plated Steel	061-507858 061-507857 061-507856
Hole Filler Plates 	23/8" (60 mm) Diameter 23/8" (60 mm) Diameter	Silver Coated Brass Plated Steel	061-507860 061-507859
Deadbolt Wrap-Around Plate 	41/4" (H) x 41/2" (W) for 13/4" door (108 x 177 x 44 mm)	Stainless Steel	061-507862
dormakaba Card Reader Retrofit Kit (Upgrades to dormakaba card reader from Ilco card reader) Reversible Card Reader Not included 		Stainless Steel/ Matt black plastic facia	062-511383

Strikes for Saflok RT Series

Ordering

Standard Mortise Strikes

All strikes include mounting screws. For strikes only, omit the "K" from the product number. Left Hand Reverse Door requires Right Hand Strike. Right Hand Reverse Door requires Left Hand Strike

	Handing	Finish	Part Number
* Standard 4⁷/₈" (124 mm)  <p>*Strike included with the lock at no charge, unless otherwise specified. Non-creditable unless purchased separately.</p>	Left Hand	Satin Brass	504131-606-K
	Right Hand	Satin Brass	504132-606-K
	Left Hand	Stainless Steel	504131-630-K
	*Right Hand	Stainless Steel	504132-630-K
Wide Lip 4⁷/₈" (124 mm) 	Left Hand	Satin Brass	502815-606-K
	Right Hand	Satin Brass	502816-606-K
	Left Hand	Stainless Steel	502815-630-K
	Right Hand	Stainless Steel	502816-630-K
Long 6³/₄" (171 mm) 	Left Hand	Satin Brass	502780-606-K
	Right Hand	Satin Brass	502781-606-K
	Left Hand	Stainless Steel	502780-630-K
	Right Hand	Stainless Steel	502781-630-K
Extra Long 8¹/₂" (216 mm) 	Left Hand	Satin Brass	506102-606-K
	Right Hand	Satin Brass	506103-606-K
	Left Hand	Stainless Steel	506102-630-K
	Right Hand	Stainless Steel	506103-630-K

Strikes for Saflok RT Series

Ordering


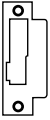

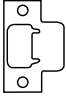
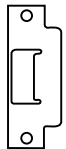
Mortise Strikes

All strikes include mounting screws.

For strikes only, omit the "K" from the product number.

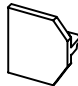
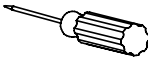

Left Hand Reverse Door requires Right Hand Strike.

Right Hand Reverse Door requires Left Hand Strike.

	Handing	Finish	Part Number
ASM/AMM 12" (305 mm) Dust box not included 	Left Hand Right Hand		041-512197-XXXX 041-512198-XXXX Replace XXX by 606 for Satin Brass and 630 for Stainless Steel
Smoke Seal 4⁷/₈" (124 mm) Dust Box not included 	Left Hand Right Hand Left Hand Right Hand	Satin Brass Satin Brass Stainless Steel Stainless Steel	041-508275-606K 041-508276-606K 041-508275-630K 041-508276-630K
Slim Mortise Strike ESM 7¹/₄" (180 mm) with deadbolt 	Universal (Reversible)	Satin Brass Stainless Steel	041-510141-606K 041-510141-630K
Cylindrical Unit Strike T-Strike 2³/₄" (70 mm) (Dust box not included) 		Satin Brass Satin Chrome	032-512389-606 032-512389-626
Cylindrical Unit Strike 7⁸/₈" ASA Strike (124 mm) (Dust box not included) 		Satin Brass Satin Chrome	204119-606-K 204119-626-K

Miscellaneous Parts for Saflok RT Series

Ordering

Description	Part Number	
Outdoor Kit Includes: Outside housing gasket, Stainless Steel battery holder screw	033-512017-1	
Weather Protection Cover for lock	032-510573	
ADA Thumbturn Adapter - Black Finish Suggested for handicap adapted rooms	062-510211-622	
Extended 8³/₄" Face Plates for Standard 1³/₄" ASM Mortise With deadbolt cutout Without deadbolt cutout	041-511907-630 041-511908-630	
ESM Face Plates		
1³/₁₆" (20 mm) round faceplate With deadbolt cutout Without deadbolt cutout	128/508593-D630 128/508593-O630	
2⁹/₃₂" (23 mm) round faceplate With deadbolt cutout Without deadbolt cutout Replace XXX by 630 (Stainless Steel) or 605 (Bright Brass PVD)	128/508595-D630 128/508595-O630	
Thick Door Kit Includes: (3) mounting screws, (1) lock lever spindle and (1) thumbturn spindle For Door thickness 2.5" - 3.75" (66 mm-95 mm) Replace XXX by 606 for Satin Brass or 626 for Satin Chrome	062-512868-XXX	
Torx Bit (T-15) For battery holder screw	138-510294	
Mortise Stabilizer Bracket Hollow Metal Door 1 ¹ / ₄ " (31 mm) Hollow Metal Door 1" (25 mm)	50567701045 505677101045	
Deluxe Screw Cover (Set for two (2) locks) Includes: screw, washer, snap screw retaining ring, snap screw cap Chrome Brass For standard door thickness only.	062-510852-CR 062-510852-BR	
ASM Reverse Handing Tool For use when changing the handing of reversible ASM (set of 2)		027-510382-K
Tool to Remove E-760 lever For E-760 Electronic & Key override		138-510576
Mortise Gauge for System 700 retrofit		138-510476

Miscellaneous Parts for Saflok RT Series

Ordering

Description	Part Number
Allen Keys Allen Key 1/8" (3 mm) for inside housing & 710 lever screw Allen Key 5/64" for battery cover and medallion screw Hex Driver (Allen) 5/64"	 138-507933 138-507930 138-507957
ADA Thumbturn (Black finish) Screw included. Required for full ADA compliance of the lock.	 062-508859-622
Mortise Stabilizer (Bracket for 710, 710-II) Hollow Metal Door 1 1/4" (31 mm) Hollow Metal Door 1" (25 mm)	 50567701045 505677101045
Spare Parts Box Includes: Lever spring, spindle, cleaning card, medallion, battery holder, Allen keys, screw kit Solitaire 710-II/SMART Solitaire 710 (includes 3 inside long levers) Replace XXXX by door thickness and finish. Ex: 1606	 062-511810-XXXX 062-508034-XXXX
Weather Resistant Kits	
Solitaire 710-II Inside gasket and outside gasket, reader cable gasket and Aerosol grease	062-510149
Solitaire 710 Aerosol grease, outside gasket, inside gasket, reader cable gasket	062-509009
SolitaireSMART Aerosol grease, outside and inside gasket, reader cable gasket	062-511438
Latch Extension (only for cylindrical lock) For 3 3/4" (95 mm) backset with kick-off feature For 5" (127 mm) backset without kick-off feature For 5" (127 mm) backset with kick-off feature (S700 Pushbutton in knob) * Also compatible with 760, 770 and 790 cylinder locks	 062-511900 062-511901 062-511902
Mortise Stabilizer Bracket (For 710,700 locks only) Hollow Metal Door 1 1/4" (31 mm) Hollow Metal Door 1" (25 mm)	 50567701045 505677101045
Weather Protection Cover for lock	032-510573

Complementary Products



Electronic In-Room Safe

Overview

In today's wired world, people carry a wide array of expensive electronic devices, and they want a safe and secure place to store them and other valuables when away from home. dormakaba has the solution with a complete line of in-room safes that combine impeccable construction, security, and user-friendly operation. These safes are ideal for hotels, resorts, apartments, student housing, offices, and more.

Features

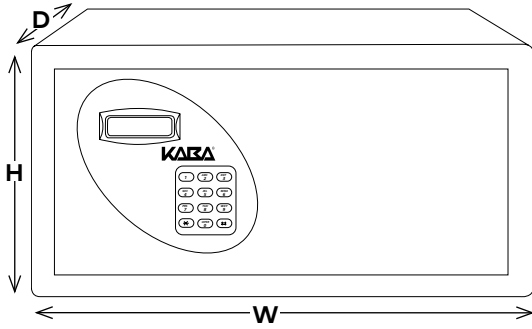
Programmable Personal Code Entry:	Guests choose their own personal four, five, or six-digit code to lock/unlock the safe.
Illuminated Keypad:	Makes it easy to read the numbers if safes are installed in closets.
Audit Trail:	Two Options Available: the digital keypad can be prompted to report the last 12 entries; lets you print 100 entries, showing who used the safe and in which room.
Code Blocking	Built into the keypad, it provides an additional safety measure against unauthorized use. If someone tries to open the safe with an invalid pass code, the system will shut down for 15 minutes.
Battery Override Unit	Allows access to the safe if the guest forgets the pass code or if a battery failure occurs, so no valuables are ever trapped inside the safe.
Electronic Master Key (Protected Master Code)	Managers and security personnel each have a separate master code that allows them to unlock the safe.
One-Touch Battery Audit	Instantly obtain battery conditions by touching the # key on the digital keypad.
Quick-Access Battery Panel	Batteries are housed in a special slide panel inside the door for easy access. There is no need to remove the entire door cover to access the batteries.
Handheld Programmer (ECU)	The Electronic Control Unit (ECU) is an easy-to-use handheld unit that serves as a programmer and password-protected maintenance unit for all safes. It can be used to obtain an access audit trail and as an emergency unit to unlock the safe, if necessary.

Optional Features

Electronic Keypad Only	Provides guests with digital access for locking and unlocking the safe. A guest chooses his/her own personal four-, five-, or six-digit code, enters it on the keypad, shuts the door, and presses the close button for secure locking
Electronic Keypad with Credit Card Swipe	Instead of remembering numbers, guests may use their credit card or any type of magnetic stripe to lock/unlock the safe.
Electronic Keypad with Credit Card Swipe and Mechanical Key Override	In case of emergency, a master key can be used to unlock the safe. All electronic safes come with an electronic override.
Mechanical Key Operation Only	Uses the state-of-the-art Medeco key and cylinder locking system

Electronic In-room Safe

Ordering



Safe with Oval Keypad

Standard Model (Example)										
2	1	0	-	D	-	I	I	-	R	64
Model		Box Size		Locking Options		Box Color	Keypad Color		Handing	

Build the model number with the desired options										
2	1		-		-			-		64
Model		Box Size		Locking Options		Box Color	Keypad Color		Handing	

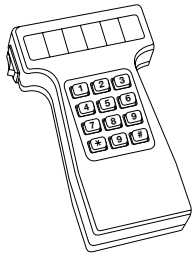
Model	Box Size (HxWxD)	Locking Option	Box Color	Keypad Color	Handing	
21 dormakaba Electronic In-Room Safe	0 9" X 17" X 14" (229 X 432 X 330mm)	D Oval Keypad, Code Only DK Oval Keypad, Code Only, Key Override	I Ivory B Black S Silver	I Ivory B Black S Silver	R Right Handed L Left Handed	64
	2 21 ¾" X 15" X 17" (553 X 381 X 4mm)					
	3 16 ½" X 13 ¾" X 6 ½" (337 X 311 X 324mm) (Wall Safe)					
	4 8" X 19 ½" X 15 ½" (203 X 495 X 394mm) (17" Laptop Safe)					
	7* 5 ¾" X 20" X 14" (140 X 508 X 356mm) (Drawer Safe MKO Required) * Available in "DK" locking option only					

Electronic In-room Safe

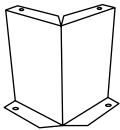
Components

In-room Safe Accessories

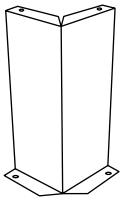
Item	Description	Part #
Electronic Control Unit (ECU)	One included FREE with order of 100 safes or more	063-512434



9" Pedestal	Height: 9" (229mm) Weight: 3 lbs. (1 kg)	050-512432
--------------------	--	------------



13.5" Pedestal	Height: 13½" (343mm) Weight: 3.5 lbs. (1.5 kg)	050-512433
-----------------------	--	------------



Keycards & Printing

Generic Keycards, Custom Keycards, Cleaning Supplies, etc.

dormakaba offers a full range of generic and custom keycards, as well as cleaning supplies and replacement batteries, to support its lodging access controls.

These supplies are available from our online store, www.Saflokstore.com.



Keycard Specifications

Features

- Manufactured under stringent ISO guidelines

Options

- Generic keycard design
- Chain Logo keycards
- Custom keycard design

Certifications and Approvals

- ABA (American Bankers Association)

Technology

- Magstripe
- Smart
- RFID

Compatibility*

dormakaba keycards are compatible with the following electronic hotel lock systems:

- ILCO
- Saflok
- Sargent System 45
- Tesa / Onity
- Timelox
- Vingcard

Card Dimensions

- Finished card size: 2 1/8" x 3 3/8" (54 mm x 86 mm)
- Finished card thickness: .030" (0.76 mm)

*If your lock system is not listed, please contact our customer service department for compatibility information. Samples are available upon request for testing. Not available for RFID

Major Chain Logo Card

Available for immediate shipping
Please call 1-800-999-6213 / +1-248-837-3700 or visit www.Saflokstore.com for online purchasing



Custom Keycard Design

We will develop a custom look for your establishment.

See examples:



Custom Printed Keycards

An excellent way to promote special events, restaurants, sports facilities and other hotel services or to set your establishment apart from others, custom printed keycards can be an important part of your business strategy. Saflok offers complete design and printing services for your custom keycard needs.

Generic Keycards

Ordering

Description	Part #
-------------	--------

Magstripe

Front
Two colors with arrow

Back
No pictogram, Blank



10100-600

Generic Keycards (RFID)

Description	Part #
-------------	--------

Mini Mifare - Guest keycard

No audit trail

Front
Four Colors

Back
Pictogram

Final keycard artwork may be different.



10950

1K Mifare - Staff keycard

Audit trail

Front
Four Colors

Back
Pictogram

Final keycard artwork may be different.



10990

4K Mifare - Staff keycard

Audit trail

Front
Four Colors

Back
Pictogram

Final keycard artwork may be different.



10910

1K Mifare - FOB

Audit trail



RED: 10620-1-RD
BLUE: 10620-1-BL
YELLOW: 10620-1-YL

1K Mifare - Wristband

Audit trail



RED: 10630-1-RD
BLUE: 10630-1-BL
YELLOW: 10630-1-YL

Custom keycards and other wristband and fob colors are available. Call customer support for pricing and availability.

Toll Free: 1.800.999.6213
International: + 1.248.837.3700
www.kabalodging.com
www.Saflokstore.com